

联系我们



微信公众号
WeChat



微信视频号
WeChat Channel

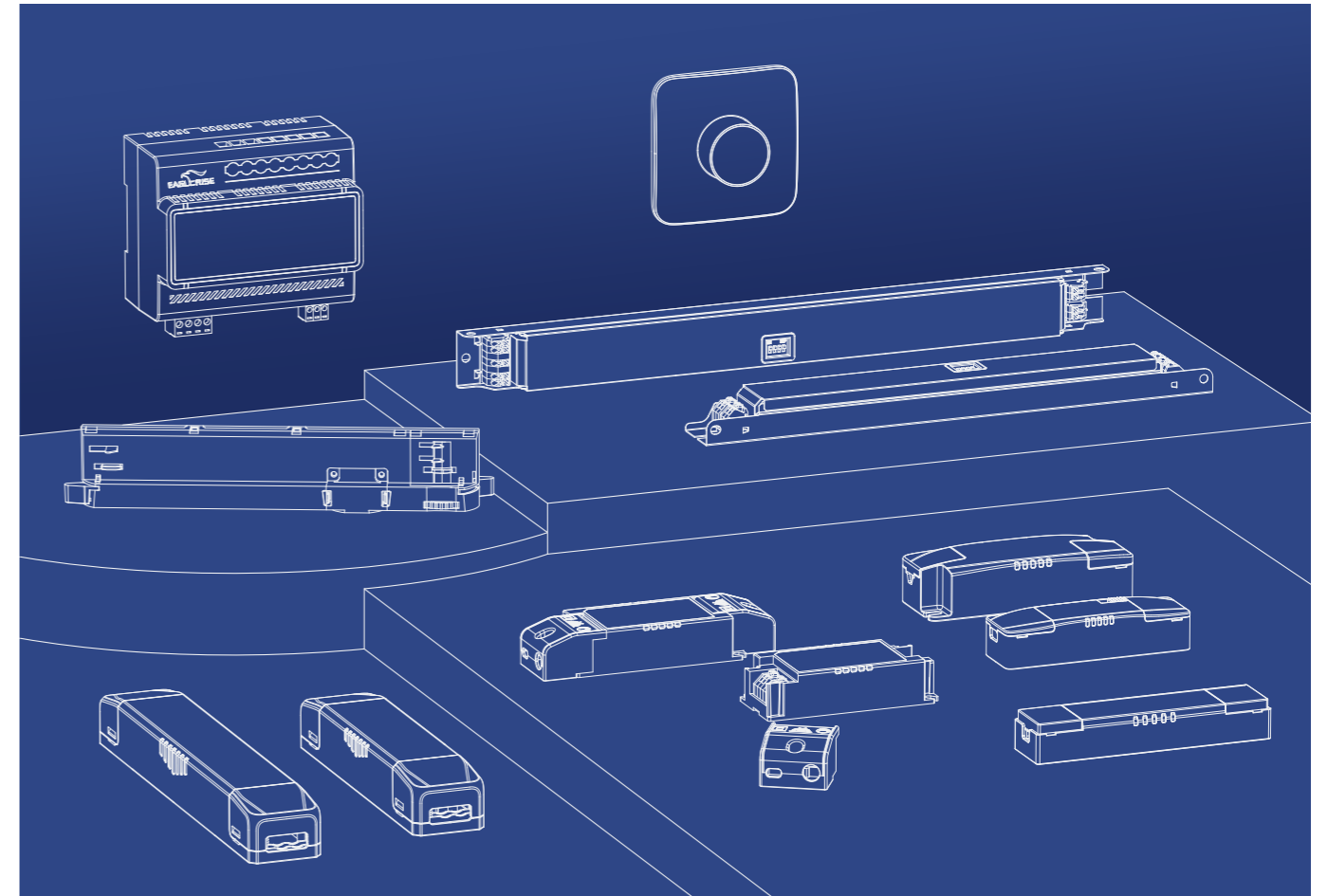


官方网站
Website

地址/ Address:
广东省佛山市顺德区北滘镇环镇东路4号
No.4, Huanzhen East Road, Beijiao Town, Shunde District, Foshan, Guangdong, China

邮箱/ Email:
Sales@eaglerise.com

网址/ Web:
Lighting-eaglerise.com



LED驱动电源 产品图册 室内

目录 CONTENTS

企业介绍

关于伊戈尔	1-2
产品历程	3
项目案例	4
企业实力	5-6
接线图例	7
命名规则	8
产品概览	9-10
产品选型表	11-26

产品分类

01	线性	
	非隔离DALI	28-30
	非隔离ON/ OFF	31-32
	隔离DALI	33-34
	非隔离ON/ OFF	35-37
02	紧凑型	
	D4i	39
	DALI-2	40
	0-10V	42
	可控硅	43-47
	无线	48
	高效	49
	细长型	50
	色温可调	51-52
	热销	53-55
	高功率因数	56-58
宽电压	59-60	
圆形	61-64	
带引线	65-68	
03	迷你型	
	DALI+0-10V	70
	DALI-DT8	71
	DALI-2	72-77
	0-10V	78
	无线	79
ON/ OFF	80-83	
04	导轨电源	
	DALI-DT8	85
	DALI-2	86-87
	CASAMBI	88
	ON/ OFF	89-93
三线	94	
05	恒压	
	DALI 0-10V	96
	DALI-DT8	97
	DALI-2	98-99
	0-10V	100
	细长型	101-103
	超薄	104-105
	带引线	106
IP67	107	
铝壳恒压	108-109	
06	美规	
	可控硅	111
	0-10V	112
07	配件	
	DALI 配件	114-117
可选配件	118-120	

关于伊戈尔

About EAGLERISE



1999

伊戈尔在佛山成立
Established in Foshan

2017

成功在深圳上市
Listed in Shenzhen

13.6万m²

拥有标准厂房13.6W m²
Company Area 136K m²

300+

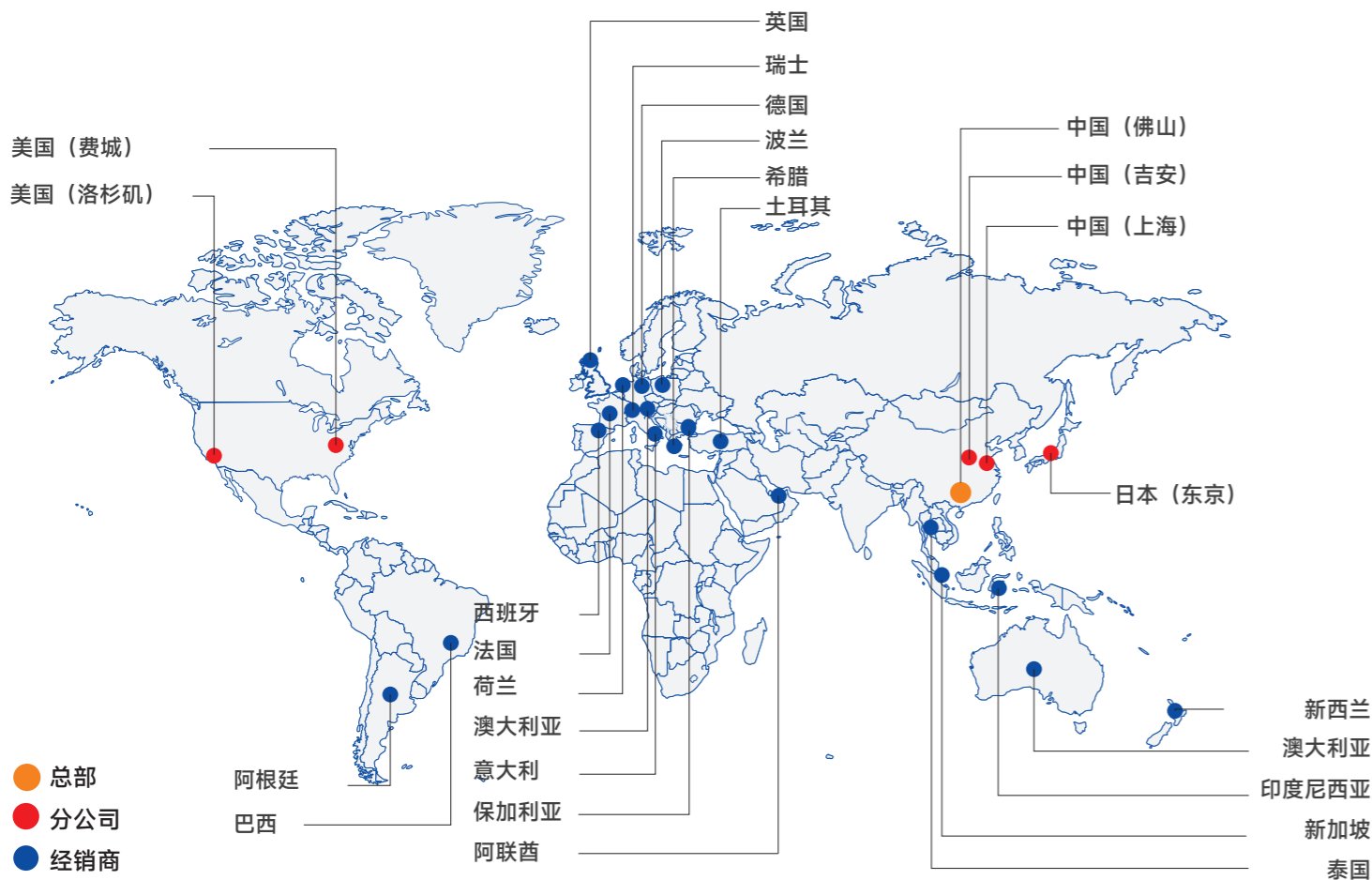
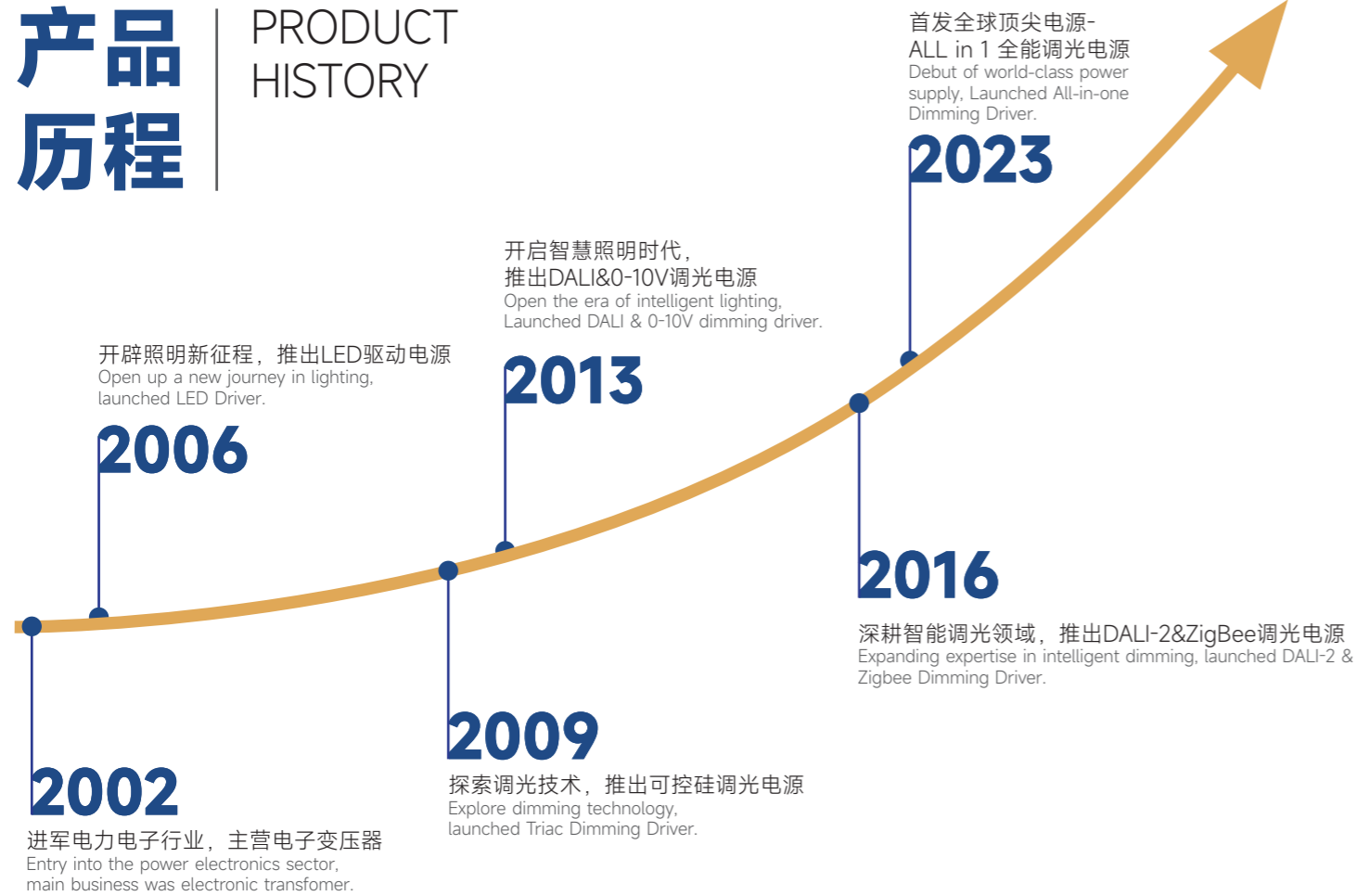
专利应用
Patents & applications

伊戈尔创立于1999年，总部位于广东佛山，于2017年正式上市，股票代码：002922。旗下照明电源事业部成立于2001年，专注深耕照明电源产品的研发、制造、销售和服务，在佛山顺德和江西吉安两地拥有2大生产制造基地，总面积13.6万平方米。凭借强大的研发实力，数字化生产制造平台，在照明电源领域推陈出新，产品覆盖家居照明、商业照明、酒店照明、户外照明灯照明场景，为全球客户提供更高效、更智能、更环保的LED驱动电源于照明解决方案。

Eaglerise Electric & Electronic (China) Co., Ltd was founded in 1999 and headquartered in Foshan. Eaglerise was officially listed in 2017 with the stock code 002922. Our Lighting Business Unit was established in 2001, focusing on the research and development, manufacturing, sales, and service of LED driver. We have two manufacturing bases in Shunde, Foshan and Ji'an, Jiangxi, 136000 sqm in total. With strong R&D and digital manufacturing plants, our products cover lighting scenarios such as home lighting, commercial lighting, hotel lighting, and outdoor lighting. We aim to provide global customers with more efficient, intelligent, and eco-friendly LED driver and lighting solutions.

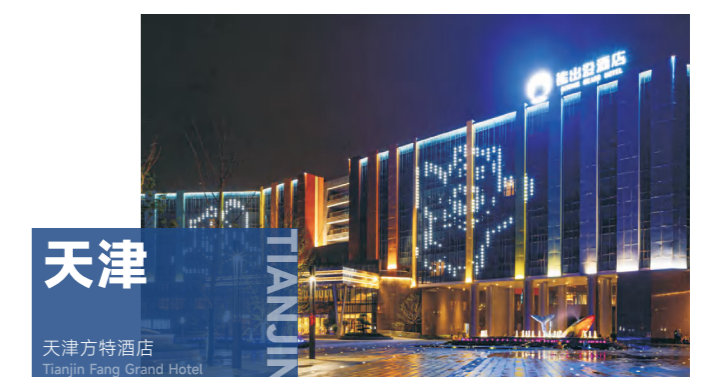
产品 历程

PRODUCT HISTORY



项目 案例

SUCCESSFUL CASES



企业 实力

COMPANY
STRENGTH

 **26** Years of experience

26年专业LED驱动电源经验，
沉淀，才能带来更好的产品。

 **300+** Patents & applications

300+专利及应用
核心技术，只为更优质的产品

 **100+** Served countries & regions

服务遍及全球100多个国家及地区的客户
依托经销商模式，实现全球快速响应

 **100million(pcs)** Annual capacity

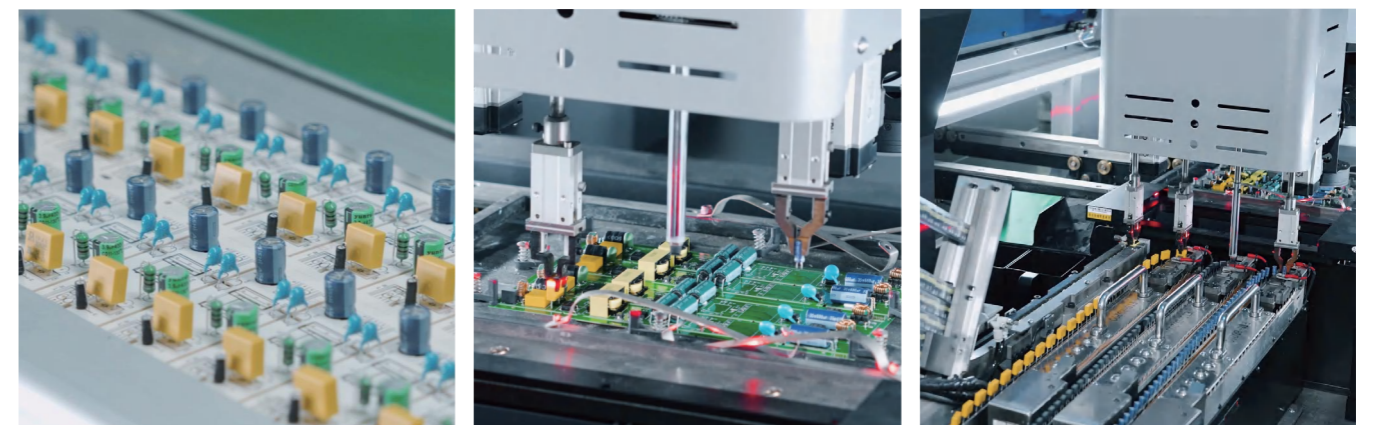
年产能一亿台
质量可靠的优质驱动电源

 **136000m²** Company area

厂房占地13.6万方
自动化生产，交付更及时

 **1200+** Skilled employees

1200余名员工
全新全意打造每一款LED驱动电源

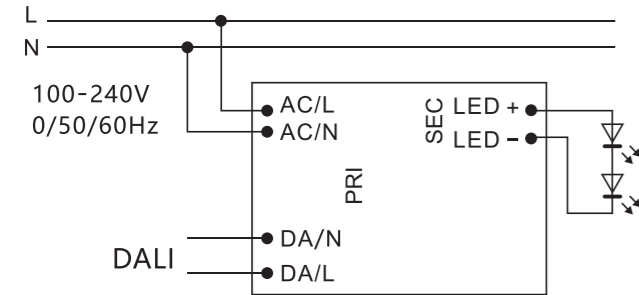


接线图例

WIRING DIAGRAM

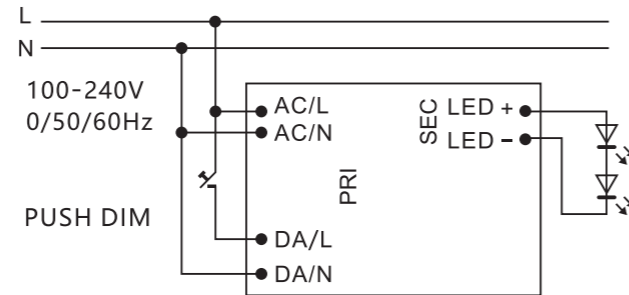
DALI调光应用

DALI dimming application



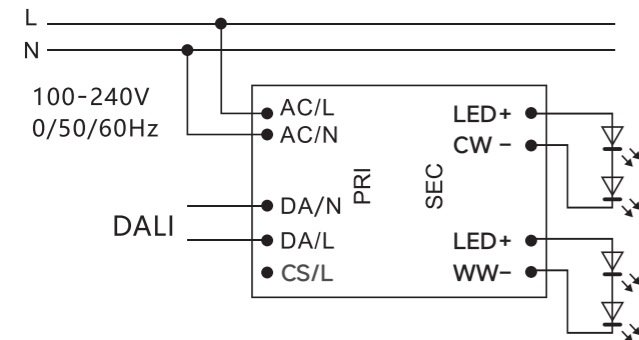
PUSH调光应用

PUSH dimming application



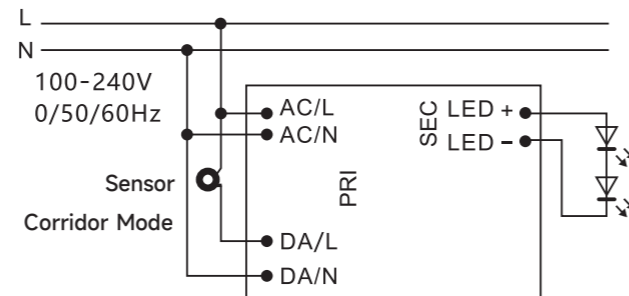
DALI-2 DT8调光应用

DALI-2 DT8 dimming application



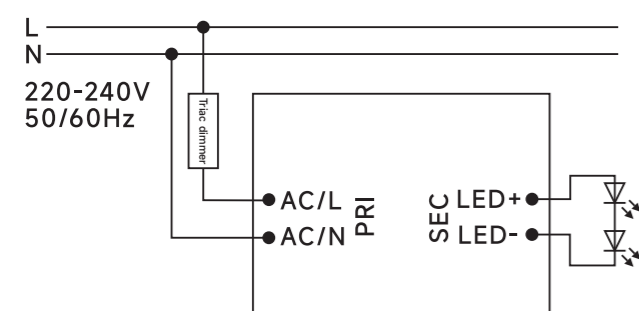
走廊模式调光应用

Corridor Mode dimming application



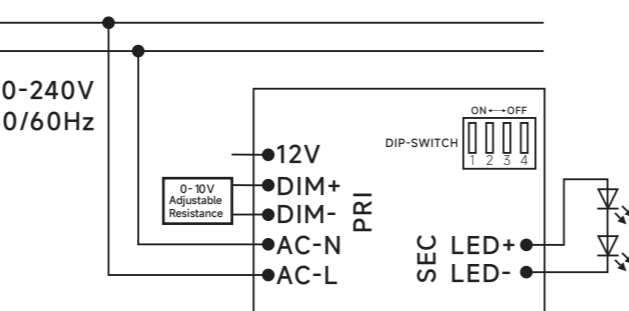
可控硅调光应用

TRIAC dimming application



0-10V调光应用

0-10V dimming application



命名规则

NAMING RULES

FLS-30-700 IP67 N-S DALI-2 LI1 EXC S -YX	
电流可调 Adjustable or not	F 输出电流可调 Output current adjustable
形状 Shape	C 圆形 Circle L 普通长条形 (长宽比>2.0) Long Rectangles (2.0<L:W<4.0) S 方形塑料 (长宽比<2.0) Square Plastic (L:W<2.0) M 金属外壳 Metal Rectangles N 裸板, 无外壳 Bare board, no shell D 导轨一体外壳 Integrated U 超薄型电源 Ultrathin (height less than 18mm) R 椭圆、马蹄形 Oval, horseshoe shape
输入电压 Input Voltage	S 220-240 VAC H 100-240 VAC E 100-120 VAC X 100-277 VAC N USA 120 VAC W USA 120-277 VAC Z USA 120-347 VAC
输出功率 Output Power	9 9W 30 30W 1200 1200W
输出电流/电压 Output Current/ Voltage	恒流型C.C.: 120--120mA / 1050--1050mA 恒压型C.V.: 5--5V / 12--12V / 24-24V
IP等级 (可选) IP Grade (optional)	IP20 默认为空 Defaultly empty IP65 IP65 IP67 IP67
[N-S] 非隔离 (可选) [N-S] Non-isolation(optional)	
调光功能位 (可选) Dimming Mode (optional)	DALI-2 DALI调光 DALI Dimming 0-10 0-10V调光 0-10V Dimming 1-10 (欧洲) 1-10V调光 1-10V Dimming
客户简称 Customer Abbreviation	为专门的客户做的定制品 Custom products made for special customers
更改外观 (可选) Change Appearance (Optional)	S 外观尺寸变小, 更小/窄 Appearance size reduced, small/slim
产品版本号 (可选) Version (optional)	E 基础版本 Basic version EXC 基础版本PF>0.9 Basic version, 0.9 PF ADV 升级版 Advanced version PRO 高级版本 Professional version
迭代号 (可选) Generation Number (optional)	1 第一代 First generation 2 第二代 Second generation
输出调节方式端子台&线缆 Output Adjustment Mode Terminal & Cable	输出电流不可调: Output current not adjustable: I 端子台/独立式 Terminal/ Independent X 端子台/内置式 Terminal/ Built-in B 引线/内置式 Cable/ Built-in R 双L双N 2 slots
输出电流可调: Output current adjustable:	A 拨码/端子台/独立式 Dip switch/ Terminal/ Independent S 拨码/端子台/独立式/双L双N Dip switch/ 2 slots N NFC/端子台/内置式 NFC/ Terminal/ Built-in D 拨码/端子台/内置式 Dip switch/ Terminal/ Built-in
功率因数与频闪结合位 Power Factor & Flicker	L 0.9PF和无频闪 0.9PF & flicker-free M 0.8PF和无频闪 0.8PF & flicker-free S 0.5PF和无频闪 0.5PF & flicker-free R 0.9PF和频闪 0.9PF & flicker
调光功能位 (可选) Dimming Mode (optional)	Blue 蓝牙调光 Bluetooth Dimming CSB CASAMBI调光 Casambi Dimming Zigb Zigbee调光 Zigbee Dimming PWM PWM调光 PWM Dimming RF 射频调光 RF Dimming TRIAC 三端双向可控硅调光 TRIAC Dimming DT8 DALI调光、色温可调 DALI Dimming; color temperature is adjustable CCT 色温可调 Color temperature is adjustable

产品概述

PRODUCT OVERVIEW

线性 Linear	非隔离 Non-Isolated	D4i	P28
		DALI-2	P29
		ON/OFF (拨码)	P31
	隔离 Isolated	DALI-2	P33
		ON/OFF (拨码)	P35
紧凑型 Compact	智能 Intelligent	D4i	P39
		DALI-2	P40
		0-10V	P42
		可控硅	P43
		无线	P48
	ON/OFF	高效	P49
		细长型	P50
		色温可调	P51
		热销	P53
		高功率因数	P56
		宽压	P59
		圆形	P61
		带引线	P65
迷你型 Mini	智能 Intelligent	DALI+0-10V	P70
		DALI-2 DT8	P71
		DALI-2	P72
		0-10V	P78
		CASAMBI	P79
	ON/OFF	高效	P80
		色温可调	P81
		拨码	P82

导轨电源 Track	智能 Intelligent	DALI-2 DT8	P85
		DALI-2	P86
		CASAMBI	P88
	ON/OFF	四线	P89
		三线	P94
恒压 C V	智能 Intelligent	DALI+0-10V	P96
		DALI-2 DT8	P97
		DALI-2	P98
		0-10V	P100
	ON/OFF	细长型	P101
		超薄	P104
		带引线	P106
		IP67	P107
		铝壳恒压	P108
美规 North American	智能 Intelligent	0-10V+可控硅	P111
		可控硅	P112
配件 Accessories		DALI 网关	P114
		DALI 调光器	P115
		DALI 面板	P116
		DALI 传感器	P117

线性系列 LINEAR

非隔离 - D4i

型号 Model	功率 Power	输入电压 Input Voltage	输出电流 Output Current	输出电压 Output Voltage	效率 Efficiency	功率因数 Power Factor	尺寸 Size (L*W*H)
FMS-35-350 N-S DALI-2 D4i LN	35W	220-240VAC	80-350mA	50-220V	92%	0.95	280*30*21mm
FMS-75-500 N-S DALI-2 D4i LN	75W	220-240VAC	150-500mA	50-220V	93%	0.95	360*30*21mm
FMS-100-1050 N-S DALI-2 D4i LN	100W	220-240VAC	300-1050mA	50-220V	94%	0.95	360*30*21mm
P28 FMS-150-1050 N-S DALI-2 D4i LN	150W	220-240VAC	300-1050mA	50-220V	95%	0.95	360*30*21mm

非隔离 - DALI-2

型号 Model	功率 Power	输入电压 Input Voltage	输出电流 Output Current	输出电压 Output Voltage	效率 Efficiency	功率因数 Power Factor	尺寸 Size (L*W*H)
FMS-35-350 N-S DALI-2 LD	35W	220-240VAC	80-350mA	50-220V	92%	0.95	280*30*21mm
FMS-75-500 N-S DALI-2 LD	75W	220-240VAC	150-500mA	50-220V	93%	0.95	280*30*21mm
FMS-100-1050 N-S DALI-2 LD	100W	220-240VAC	300-1050mA	50-220V	94%	0.95	280*30*21mm
P29 FMS-150-1050 N-S DALI-2 LD	150W	220-240VAC	300-1050mA	50-220V	95%	0.95	280*30*21mm
FMS-35-350 N-S DALI-2 LN EXC	35W	220-240VAC	80-350mA	50-220V	92%	0.95	280*30*21mm
FMS-75-500 N-S DALI-2 LN EXC	75W	220-240VAC	150-500mA	50-220V	93%	0.95	280*30*21mm
FMS-100-1050 N-S DALI-2 LN EXC	100W	220-240VAC	300-1050mA	50-220V	94%	0.95	280*30*21mm
P30 FMS-150-1050 N-S DALI-2 LN EXC	150W	220-240VAC	300-1050mA	50-220V	95%	0.95	280*30*21mm

非隔离 - ON/OFF (拨码)

型号 Model	功率 Power	输入电压 Input Voltage	输出电流 Output Current	输出电压 Output Voltage	效率 Efficiency	功率因数 Power Factor	尺寸 Size (L*W*H)
FMS-20-350 N-S LD2 E	20W	220-240VAC	200-350mA	25-100V	86%	0.95	168*30*21mm
FMS-40-350 N-S LD2 E	40W	220-240VAC	200-350mA	40-200V	90%	0.95	168*30*21mm
FMS-60-350 N-S LD2 E	60W	220-240VAC	200-350mA	70-200V	92%	0.95	190*30*21mm
P31 FMS-80-350 N-S LD2 E	80W	220-240VAC	200-350mA	40-220V	94%	0.95	210*30*21mm
FMS-20-350 N-S LD1 E	20W	220-240VAC	200-350mA	25-100V	86%	0.9	168*30*21mm
FMS-20-350 N-S CCT LD EXC	20W	220-240VAC	200-350mA	25-100V	86%	0.9	168*30*21mm
FMS-40-350 N-S LD1 E	40W	220-240VAC	200-350mA	40-200V	90%	0.9	168*30*21mm
FMS-40-350 N-S CCT LD EXC	40W	220-240VAC	200-350mA	40-200V	90%	0.95	168*30*21mm
FMS-60-350 N-S LD1 E	60W	220-240VAC	200-350mA	70-200V	92%	0.95	190*30*21mm
FMS-60-350 N-S CCT LD EXC	60W	220-240VAC	200-350mA	70-200V	92%	0.95	190*30*21mm
FMS-80-350 N-S LD1 E	80W	220-240VAC	200-350mA	40-220V	94%	0.95	210*30*21mm
FMS-80-350 N-S CCT LD EXC	80W	220-240VAC	200-350mA	40-220V	94%	0.95	210*30*21mm
FMS-80-550 N-S LD1 E	80W	220-240VAC	350-550mA	40-216V	93%	0.95	210*30*21mm
FMS-80-550 N-S CCT LD EXC	80W	220-240VAC	350-550mA	40-216V	93%	0.95	210*30*21mm
FMS-100-500 N-S LD1 E	100W	220-240VAC	350-500mA	40-220V	95%	0.95	280*30*21mm
FMS-100-500 N-S CCT LD EXC	100W	220-240VAC	350-500mA	40-220V	95%	0.95	280*30*21mm
FMS-150-700 N-S LD1 E	150W	220-240VAC	550-700mA	40-220V	95%	0.95	280*30*21mm
P32 FMS-150-700 N-S CCT LD EXC	150W	220-240VAC	550-700mA	40-220V	95%	0.95	280*30*21mm

隔离 - DALI+0-10V

型号 Model	功率 Power	输入电压 Input Voltage	输出电流 Output Current	输出电压 Output Voltage	效率 Efficiency	功率因数 Power Factor	尺寸 Size (L*W*H)
FMX-35-700 DALI-2 0-10 LD	35W	120-277VAC	150-700mA	9-54V	90%	0.95	280*30*21mm
FMX-50-1050 DALI-2 0-10 LD	50W	120-277VAC	300-1050mA	9-54V	90%	0.95	280*30*21mm
P33 FMX-85-2100 DALI-2 0-10 LD	85W	120-277VAC	700-2100mA	9-54V	90%	0.95	360*30*21mm

线性系列 LINEAR

隔离 - DALI-2

型号 Model	功率 Power	输入电压 Input Voltage	输出电流 Output Current	输出电压 Output Voltage	效率 Efficiency	功率因数 Power Factor	尺寸 Size (L*W*H)
FMS-35-700 DALI-2 LD	35W	220-240VAC	100-700mA	15-51V	90%	0.95	280*30*21mm
FMS-35-700 DALI-2 LN	35W	220-240VAC	150-700mA	15-51V	90%	0.95	280*30*21mm
FMS-50-1050 DALI-2 LD	50W	220-240VAC	350-1050mA	15-51V	90%	0.95	280*30*21mm
FMS-50-1050 DALI-2 LN	50W	220-240VAC	350-1050mA	15-51V	90%	0.95	280*30*21mm
FMS-75-1800 DALI-2 LD	75W	220-240VAC	1050-1800mA	15-51V	90%	0.95	280*30*21mm
P34 FMS-75-1800 DALI-2 LN	75W	220-240VAC	1050-1800mA	15-51V	90%	0.95	280*30*21mm

隔离 - ON/OFF (拨码)

型号 Model	功率 Power	输入电压 Input Voltage	输出电流 Output Current	输出电压 Output Voltage	效率 Efficiency	功率因数 Power Factor	尺寸 Size (L*W*H)
FMS-21-500 LD EXC	21W	220-240VAC	350-500mA	24-42V	88%	0.95	210*30*21mm
FMS-30-750 LD EXC	30W	220-240VAC	600-750mA	24-42V	90%	0.95	210*30*21mm
FMS-42-1050 LD EXC	42W	220-240VAC	700-1050mA	24-42V	90%	0.95	210*30*21mm
FMS-60-1500 LD1 EXC	60W	220-240VAC	1150-1500mA	24-42V	90%	0.95	280*30*21mm
P35 FMS-80-2000 LD1 EXC	80W	220-240VAC	1500-2000mA	24-42V	91%	0.95	280*30*21mm
FMS-20-350 LD EXC	20W	220-240VAC	200-350mA	15-51V	88%	0.95	210*30*21mm
FMS-24-500 LD EXC	24W	220-240VAC	350-500mA	15-51V	88%	0.95	210*30*21mm
FMS-35-650 LD EXC	35W	220-240VAC	500-650mA	15-51V	90%	0.95	210*30*21mm
FMS-40-1050 LD EXC	40W	220-240VAC	700-1050mA	15-51V	90%	0.95	210*30*21mm
FMS-60-1200 LD EXC	60W	220-240VAC	850-1200mA	15-51V	91%	0.95	280*30*21mm
FMS-60-1500 LD EXC	60W	220-240VAC	1150-1500mA	15-51V	90%	0.95	280*30*21mm
FMS-75-1500 LD EXC	75W	220-240VAC	1150-1500mA	15-51V	91%	0.95	280*30*21mm
P36 FMS-80-2000 LD EXC	80W	220-240VAC	1300-2000mA	15-51V	91%	0.95	280*30*21mm
FMX-50-1050 LD	50W	120-277VAC	150-1050mA	9-54V	90%	0.95	280*30*21mm
P37 FMX-85-2100 LD	85W	120-277VAC	700-2100mA	9-54V	90%	0.95	280*30*21mm

紧凑系列 COMPACT

智能 - D4i

型号 Model	功率 Power	输入电压 Input Voltage	输出电流 Output Current	输出电压 Output Voltage	效率 Efficiency	功率因数 Power Factor	尺寸 Size (L*W*H)
FSS-24-1050 DALI-2 D4i LN	24W	220-240VAC	200-1050mA	19-39V	86%	0.95	123*77*31mm
FSS-40-1050 DALI-2 D4i LN	40W	220-240VAC	200-1050mA	22-77V	91%	0.95	123*77*31mm
FSS-75-1050 DALI-2 D4i LN	75W	220-240VAC	200-1050mA	25-107V	91%	0.95	133*77*31mm
FSS-110-1050 DALI-2 D4i LN	110W	220-240VAC	200-1050mA	48-157V	92%	0.95	150*90*37.5mm
P39 FSS-200-1050 DALI-2 D4i LN	200W	220-240VAC	200-1050mA	169-355V	93%	0.95	170*100*40mm

智能 - DALI-2

型号 Model	功率 Power	输入电压 Input Voltage	输出电流 Output Current	输出电压 Output Voltage	效率 Efficiency	功率因数 Power Factor	尺寸 Size (L*W*H)
FLS-8-700 DALI-2 LN ADV S	8W	220-240VAC	150-700mA	6-42V	84%	0.9	115*25*19mm

紧凑型 COMPACT

智能 - DALI-2

型号 Model	功率 Power	输入电压 Input Voltage	输出电流 Output Current	输出电压 Output Voltage	效率 Efficiency	功率因数 Power Factor	尺寸 Size (L*W*H)
FLS-8-500 DALI-2 LA ADV	8W	220-240VAC	150-500mA	2.5-49V	84%	0.95	115*30*20.5mm
P41 FLS-12-700 DALI-2 LA ADV	12W	220-240VAC	500-700mA	2.5-24V	84%	0.95	115*30*20.5mm
NEW FLS-16-450 DALI-2 LA ADV	16W	220-240VAC	100-450mA	2.5-42V	85%	0.95	115*30*20.5mm

智能 - 0-10V

型号 Model	功率 Power	输入电压 Input Voltage	输出电流 Output Current	输出电压 Output Voltage	效率 Efficiency	功率因数 Power Factor	尺寸 Size (L*W*H)
FLS-8-220 0-10 LA ADV	8W	220-240VAC	120-220mA	15-42V	83%	0.95	115*30*20.5mm
P42 FLS-12-330 0-10 LA ADV	12W	220-240VAC	250-330mA	15-42V	84%	0.95	115*30*20.5mm
NEW FLS-12-350 0-10 LA ADV	12W	220-240VAC	200-350mA	15-42V	84%	0.95	115*30*20.5mm

智能 - 可控硅

型号 Model	功率 Power	输入电压 Input Voltage	输出电流 Output Current	输出电压 Output Voltage	效率 Efficiency	功率因数 Power Factor	尺寸 Size (L*W*H)
LS-8-120 TRIAC LI EXC	8W	220-240VAC	120mA	27-40V	75%	0.9	115*30*20.5mm
LS-8-200 TRIAC LI EXC	8W	220-240VAC	200mA	27-40V	80%	0.9	115*30*20.5mm
LS-8-220 TRIAC LI EXC	8W	220-240VAC	220mA	27-40V	83%	0.9	115*30*20.5mm
LS-12-250 TRIAC LI EXC	12W	220-240VAC	250mA	27-40V	83%	0.9	115*30*20.5mm
LS-12-300 TRIAC LI EXC	12W	220-240VAC	300mA	27-40V	83%	0.9	115*30*20.5mm
P43 LS-12-350 TRIAC LI EXC	12W	220-240VAC	350mA	27-40V	83%	0.9	115*30*20.5mm
CS-8-100 TRIAC LI	8W	220-240VAC	100mA	28-40V	78%	0.9	Φ56*25.5mm
CS-8-120 TRIAC LI	8W	220-240VAC	120mA	28-40V	80%	0.9	Φ56*25.5mm
CS-8-150 TRIAC LI	8W	220-240VAC	150mA	28-40V	80%	0.95	Φ56*25.5mm
CS-8-180 TRIAC LI	8W	220-240VAC	180mA	28-40V	80%	0.95	Φ56*25.5mm
CS-8-200 TRIAC LI	8W	220-240VAC	200mA	28-40V	80%	0.95	Φ56*25.5mm
CS-15-250 TRIAC LI	15W	220-240VAC	250mA	28-40V	82%	0.9	Φ65*25mm
CS-15-280 TRIAC LI	15W	220-240VAC	280mA	28-40V	82%	0.9	Φ65*25mm
CS-15-300 TRIAC LI	15W	220-240VAC	300mA	28-40V	82%	0.95	Φ65*25mm
CS-15-350 TRIAC LI	15W	220-240VAC	350mA	28-40V	82%	0.95	Φ65*25mm
P44 CS-22-400...550 TRIAC LI	22W	220-240VAC	400...550mA	28-40V	85%	0.95	Φ65*25mm
CS-36-600...900 TRIAC LI	36W	220-240VAC	600...900mA	28-40V	85%	0.95	Φ75*26mm
LS-8-100 TRIAC LI1	8W	220-240VAC	100mA	28-40V	78%	0.9	92*36*25mm
LS-8-120 TRIAC LI1	8W	220-240VAC	120mA	28-40V	80%	0.9	92*36*25mm
LS-8-150 TRIAC LI1	8W	220-240VAC	150mA	28-40V	80%	0.95	92*36*25mm
LS-8-180 TRIAC LI1	8W	220-240VAC	180mA	28-40V	80%	0.95	92*36*25mm
LS-8-200 TRIAC LI1	8W	220-240VAC	200mA	28-40V	80%	0.95	92*36*25mm
LS-8-220 TRIAC LI1	8W	220-240VAC	220mA	28-40V	80%	0.95	92*36*25mm
LS-8-250 TRIAC LI1	8W	220-240VAC	250mA	18-24V	80%	0.95	92*36*25mm
LS-8-300 TRIAC LI1	8W	220-240VAC	300mA	18-24V	80%	0.95	92*36*25mm
LS-8-350 TRIAC LI1	8W	220-240VAC	350mA	18-24V	80%	0.95	92*36*25mm
P45 LS-8-700 TRIAC LI1	8W	220-240VAC	700mA	8-11.4V	76%	0.95	92*36*25mm

紧凑型 COMPACT

智能 - 可控硅

型号 Model	功率 Power	输入电压 Input Voltage	输出电流 Output Current	输出电压 Output Voltage	效率 Efficiency	功率因数 Power Factor	尺寸 Size (L*W*H)
LS-15-250...350 TRIAC LI1	15W	220-240VAC	250...350mA	28-40V	82%	0.95	102*38.2*25mm
LS-15-400 TRIAC LI1	15W	220-240VAC	400mA	25-38V	82%	0.95	102*38.2*25mm
LS-15-450 TRIAC LI1	15W	220-240VAC	450mA	22-33V	82%	0.95	102*38.2*25mm
LS-15-500 TRIAC LI1	15W	220-240VAC	500mA	20-30V	82%	0.95	102*38.2*25mm
LS-15-550 TRIAC LI1	15W	220-240VAC	550mA	17-27V	82%	0.95	102*38.2*25mm
LS-15-600 TRIAC LI1	15W	220-240VAC	600mA	16-25V	82%	0.95	102*38.2*25mm
LS-15-650 TRIAC LI1	15W	220-240VAC	650mA	16-23V	82%	0.95	102*38.2*25mm
LS-15-700 TRIAC LI1	15W	220-240VAC	700mA	14-22V	82%	0.95	102*38.2*25mm
LS-20-300 TRIAC LI1	20W	220-240VAC	300mA	50-68V	85%	0.95	102*38.2*25mm
LS-20-350 TRIAC LI1	20W	220-240VAC	350mA	40-60V	85%	0.95	102*38.2*25mm
LS-20-400...500 TRIAC LI1	20W	220-240VAC	400...500mA	28-40V	85%	0.95	102*38.2*25mm
LS-20-550 TRIAC LI1	20W	220-240VAC	550mA	28-38V	85%	0.95	102*38.2*25mm
LS-20-600 TRIAC LI1	20W	220-240VAC	600mA	22-34V	85%	0.95	102*38.2*25mm
P46 LS-20-650...700 TRIAC LI1	20W	220-240VAC	650...700mA	20-30V	85%	0.95	102*38.2*25mm
LS-30-600 TRIAC LI1	30W	220-240VAC	600mA	35-50V	86%	0.95	135*41*25mm
LS-30-650 TRIAC LI1	30W	220-240VAC	650mA	30-45V	86%	0.95	135*41*25mm
LS-30-700 TRIAC LI1	30W	220-240VAC	700mA	28-42V	86%	0.95	135*41*25mm
LS-30-750 TRIAC LI1	30W	220-240VAC	750mA	28-40V	86%	0.95	135*41*25mm
LS-30-800 TRIAC LI1	30W	220-240VAC	800mA	28-40V	86%	0.95	135*41*25mm
LS-30-850 TRIAC LI1	30W	220-240VAC	850mA	24-37V	86%	0.95	135*41*25mm
LS-30-900 TRIAC LI1	30W	220-240VAC	900mA	22-34V	86%	0.95	135*41*25mm
LS-40-700 TRIAC LI1	40W	220-240VAC	700mA	36-54V	87%	0.95	135*41*25mm
LS-40-750 TRIAC LI1	40W	220-240VAC	750mA	35-53V	87%	0.95	135*41*25mm
LS-40-800 TRIAC LI1	40W	220-240VAC	800mA	33-50V	87%	0.95	135*41*25mm
LS-40-850 TRIAC LI1	40W	220-240VAC	850mA	31-47V	87%	0.95	135*41*25mm
LS-40-900 TRIAC LI1	40W	220-240VAC	900mA	27-42V	87%	0.95	135*41*25mm
LS-40-950 TRIAC LI1	40W	220-240VAC	950mA	28-40V	87%	0.95	135*41*25mm
LS-40-1000 TRIAC LI1	40W	220-240VAC	1000mA	28-40V	87%	0.95	135*41*25mm
P47 LS-40-1050 TRIAC LI1	40W	220-240VAC	1050mA	28-40V	87%	0.95	135*41*25mm

智能 - 无线

型号 Model	功率 Power	输入电压 Input Voltage	输出电流 Output Current	输出电压 Output Voltage	效率 Efficiency	功率因数 Power Factor	尺寸 Size (L*W*H)
LS-8-100 Blue SI-MJ	8W	220-240VAC	100mA	30-40V	75%	0.5	115*30*20.5mm
LS-8-120 Blue SI-MJ	8W	220-240VAC	120mA	30-40V	75%	0.5	115*30*20.5mm
LS-8-160 Blue SI-MJ	8W	220-240VAC	160mA	30-40V	80%	0.5	115*30*20.5mm
LS-8-180 Blue SI-MJ	8W	220-240VAC	180mA	30-40V	80%	0.5	115*30*20.5mm
LS-8-200 Blue SI-MJ	8W	220-240VAC	200mA	30-40V	80%	0.5	115*30*20.5mm
LS-8-235 Blue SI-MJ	8W	220-240VAC	235mA	30-40V	80%	0.5	115*30*20.5mm
LS-12-250 Blue SI-MJ	12W	220-240VAC	250mA	30-40V	84%	0.5	115*30*20.5mm
LS-12-280 Blue SI-MJ	12W	220-240VAC	280mA	30-40V	84%	0.5	115*30*20.5mm
LS-12-300 Blue SI-MJ	12W	220-240VAC	300mA	30-40V	84%	0.5	115*30*20.5mm
P48 LS-12-350 Blue SI-MJ	12W	220-240VAC	350mA	30-40V	85%	0.5	115*30*20.5mm

紧凑型 COMPACT

ON/OFF - 高效



型号 Model	功率 Power	输入电压 Input Voltage	输出电流 Output Current	输出电压 Output Voltage	效率 Efficiency	功率因数 Power Factor	尺寸 Size (L*W*H)
FLS-15-350 LD1 ADV	15W	220-240VAC	200-350mA	28-40V	92%	0.95	116*41.2*26mm
FLS-21-500 LD1 ADV	21W	220-240VAC	350-500mA	28-40V	93%	0.95	116*41.2*26mm
FLS-30-750 LD1 ADV	30W	220-240VAC	600-750mA	28-40V	94%	0.95	116*41.2*26mm
P49 FLS-40-1050 LD1 ADV	40W	220-240VAC	700-1050mA	28-40V	94%	0.95	116*41.2*26mm

ON/OFF - 细长型



型号 Model	功率 Power	输入电压 Input Voltage	输出电流 Output Current	输出电压 Output Voltage	效率 Efficiency	功率因数 Power Factor	尺寸 Size (L*W*H)
FLS-8-500 LA	8W	220-240VAC	150-500mA	2.5-48V	82%	0.9	115*30*20.5mm
P50 FLS-18-1050 LA	18W	220-240VAC	550-1050mA	2.5-33V	85%	0.95	115*30*20.5mm

ON/OFF - 色温可调



型号 Model	功率 Power	输入电压 Input Voltage	输出电流 Output Current	输出电压 Output Voltage	效率 Efficiency	功率因数 Power Factor	尺寸 Size (L*W*H)
LS-8-70 CCT SI E	8W	220-240VAC	70mA	30-40V	78%	0.6	92*28*21mm
LS-8-80 CCT SI E	8W	220-240VAC	80mA	30-40V	78%	0.6	92*28*21mm
LS-8-120 CCT SI E	8W	220-240VAC	120mA	30-40V	80%	0.6	92*28*21mm
LS-8-150 CCT SI E	8W	220-240VAC	150mA	30-40V	80%	0.6	92*28*21mm
LS-8-160 CCT SI E	8W	220-240VAC	160mA	30-40V	80%	0.6	92*28*21mm
LS-8-180 CCT SI E	8W	220-240VAC	180mA	30-40V	80%	0.6	92*28*21mm
LS-8-200 CCT SI E	8W	220-240VAC	200mA	30-40V	80%	0.6	92*28*21mm
LS-8-220 CCT SI E	8W	220-240VAC	220mA	30-40V	80%	0.6	92*28*21mm
LS-12-250 CCT SI E	12W	220-240VAC	250mA	30-40V	82%	0.6	92*28*21mm
LS-12-280 CCT SI E	12W	220-240VAC	280mA	30-40V	82%	0.6	92*28*21mm
LS-12-300 CCT SI E	12W	220-240VAC	300mA	30-40V	82%	0.6	92*28*21mm
LS-12-350 CCT SI E	12W	220-240VAC	350mA	30-40V	82%	0.6	92*28*21mm
LS-21-350 CCT SI E	21W	220-240VAC	350mA	42-60V	85%	0.6	92*36*25mm
LS-21-400 CCT SI E	21W	220-240VAC	400mA	30-42V	85%	0.6	92*36*25mm
LS-21-450 CCT SI E	21W	220-240VAC	450mA	30-42V	85%	0.6	92*36*25mm
LS-21-500 CCT SI E	21W	220-240VAC	500mA	30-42V	85%	0.6	92*36*25mm
P51 LS-21-600 CCT SI E	21W	220-240VAC	600mA	27-39V	85%	0.6	92*36*25mm
LS-30-500 CCT LI EXC	30W	220-240VAC	500mA	24-42V	87%	0.95	102*38.2*25mm
LS-30-550 CCT LI EXC	30W	220-240VAC	550mA	24-42V	87%	0.95	102*38.2*25mm
LS-30-600 CCT LI EXC	30W	220-240VAC	600mA	24-42V	87%	0.95	102*38.2*25mm
LS-30-650 CCT LI EXC	30W	220-240VAC	650mA	24-42V	87%	0.95	102*38.2*25mm
LS-30-700 CCT LI EXC	30W	220-240VAC	700mA	24-42V	87%	0.95	102*38.2*25mm
LS-30-750 CCT LI EXC	30W	220-240VAC	750mA	24-42V	87%	0.95	102*38.2*25mm
LS-30-800 CCT LI EXC	30W	220-240VAC	800mA	24-42V	87%	0.95	102*38.2*25mm
LS-40-850 CCT LI EXC	40W	220-240VAC	850mA	24-42V	89%	0.95	116*41.2*26mm
LS-40-900 CCT LI EXC	40W	220-240VAC	900mA	24-42V	89%	0.95	116*41.2*26mm
LS-40-950 CCT LI EXC	40W	220-240VAC	950mA	24-42V	89%	0.95	116*41.2*26mm
LS-40-1000 CCT LI EXC	40W	220-240VAC	1000mA	24-40V	89%	0.95	116*41.2*26mm
P52 LS-40-1050 CCT LI EXC	40W	220-240VAC	1050mA	24-38.5V	89%	0.95	116*41.2*26mm

紧凑型 COMPACT

ON/OFF - 热销



型号 Model	功率 Power	输入电压 Input Voltage	输出电流 Output Current	输出电压 Output Voltage	效率 Efficiency	功率因数 Power Factor	尺寸 Size (L*W*H)
LS-3-150...500 SI E	3W	220-240VAC	150...500mA	5-12V	68%	0.45	84*20.5*16.5mm
LS-3-700 SI E	3W	220-240VAC	700mA	2.5-4.5V	71%	0.45	84*20.5*16.5mm
LS-6-120...180 SI E	6W	220-240VAC	120...180mA	27-40V	76%	0.5	84*20.5*16.5mm
LS-6-200 SI E	6W	220-240VAC	200mA	27-40V	76%	0.5	84*20.5*16.5mm
LS-6-220 SI E	6W	220-240VAC	220mA	27-40V	76%	0.5	84*20.5*16.5mm
LS-6-250 SI E	6W	220-240VAC	250mA	10-24V	76%	0.5	84*20.5*16.5mm
LS-6-300...700 SI E	6W	220-240VAC	300...700mA	8-20V	76%	0.5	84*20.5*16.5mm
LS-8-180 SI E1	8W	220-240VAC	180mA	30-42V	73%	0.5	84*20.5*16.5mm
LS-8-200 SI E1	8W	220-240VAC	200mA	30-42V	73%	0.5	84*20.5*16.5mm
LS-8-220 SI E1	8W	220-240VAC	220mA	30-42V	73%	0.5	84*20.5*16.5mm
LS-8-500 SI E1	8W	220-240VAC	500mA	13-18V	73%	0.5	84*20.5*16.5mm
P53 LS-8-700 SI E1	8W	220-240VAC	700mA	8-13V	73%	0.5	84*20.5*16.5mm



LS-8-70 SI2 E	8W	220-240VAC	70mA	30-40V	78%	0.6	92*28*21mm
LS-8-80...120 SI2 E	8W	220-240VAC	80...120mA	30-40V	78%	0.6	92*28*21mm
LS-8-150 SI2 E	8W	220-240VAC	150mA	30-40V	80%	0.6	92*28*21mm
LS-8-160...220 SI2 E	8W	220-240VAC	160...220mA	30-40V	80%	0.6	92*28*21mm
LS-8-300 SI2 E	8W	220-240VAC	300mA	18-24V	80%	0.6	92*28*21mm
LS-8-350 SI2 E	8W	220-240VAC	350mA	18-24V	80%	0.6	92*28*21mm
LS-8-500 SI2 E	8W	220-240VAC	500mA	10-16V	80%	0.6	92*28*21mm
LS-8-700 SI2 E	8W	220-240VAC	700mA	8-11.4V	80%	0.6	92*28*21mm
LS-12-250 SI2 E	12W	220-240VAC	250mA	30-40V	82%	0.6	92*28*21mm
LS-12-280 SI2 E	12W	220-240VAC	280mA	30-40V	82%	0.6	92*28*21mm
LS-12-300 SI2 E	12W	220-240VAC	300mA	30-40V	82%	0.6	92*28*21mm
LS-12-350 SI2 E	12W	220-240VAC	350mA	30-40V	82%	0.6	92*28*21mm
P54 LS-12-500...700 SI2 E	12W	220-240VAC	500...700mA	18-24V	82%	0.6	92*28*21mm



LS-21-300 SI1 E	21W	220-240VAC	300mA	40-70V	85%	0.6	92*36*25mm
LS-21-350 SI1 E	21W	220-240VAC	350mA	42-60V	85%	0.6	92*36*25mm
LS-21-400 SI1 E	21W	220-240VAC	400mA	30-42V	85%	0.6	92*36*25mm
LS-21-450 SI1 E	21W	220-240VAC	450mA	30-42V	85%	0.6	92*36*25mm
LS-21-500 SI1 E	21W	220-240VAC	500mA	30-42V	85%	0.6	92*36*25mm
LS-21-550 SI1 E	21W	220-240VAC	550mA	30-40V	85%	0.6	92*36*25mm
LS-21-600 SI1 E	21W	220-240VAC	600mA	27-39V	85%	0.6	92*36*25mm
LS-21-650 SI1 E	21W	220-240VAC	650mA	20-32V	85%	0.6	92*36*25mm
P55 LS-21-700 SI1 E	21W	220-240VAC	700mA	18-30V	85%	0.6	92*36*25mm



ON/OFF - 高功率因数




型号 Model	功率 Power	输入电压 Input Voltage	输出电流 Output Current	输出电压 Output Voltage	效率 Efficiency	功率因数 Power Factor	尺寸 Size (L*W*H)
LS-8-70 LI2 EXC	8W	220-240VAC	70mA	27-42V	68%	0.9	92*36*25mm
LS-8-120 LI2 EXC	8W	220-240VAC	120mA	27-42V	75%	0.92	92*36*25mm
LS-8-150 LI2 EXC	8W	220-240VAC	150mA	27-42V	75%	0.95	92*36*25mm
LS-8-160 LI2 EXC	8W	220-240VAC	160mA	27-42V	75%	0.95	92*36*25mm
LS-8-180 LI2 EXC	8W	220-240VAC	180mA	27-42V	78%	0.95	92*36*25mm
LS-8-200 LI2 EXC	8W	220-240VAC	200mA	27-40V	78%	0.95	92*36*25mm
P56 LS-8-220 LI2 EXC	8W	220-240VAC	220mA	27-40V	79%	0.95	92*36*25mm

紧凑型 COMPACT

ON/OFF - 高功率因数

型号 Model	功率 Power	输入电压 Input Voltage	输出电流 Output Current	输出电压 Output Voltage	效率 Efficiency	功率因数 Power Factor	尺寸 Size (L*W*H)	
	LS-12-250 LI2 EXC	12W	220-240VAC	250mA	27-42V	82%	0.95	92*36*25mm
	LS-12-280 LI2 EXC	12W	220-240VAC	280mA	27-42V	82%	0.95	92*36*25mm
	LS-12-300 LI2 EXC	12W	220-240VAC	300mA	27-42V	82%	0.95	92*36*25mm
	LS-15-350 LI2 EXC	15W	220-240VAC	350mA	27-40V	81%	0.95	92*36*25mm
	LS-21-400 LI2 EXC	21W	220-240VAC	400mA	27-42V	85%	0.95	102*38.2*25mm
	LS-21-450 LI2 EXC	21W	220-240VAC	450mA	27-42V	85%	0.95	102*38.2*25mm
	LS-21-500 LI2 EXC	21W	220-240VAC	500mA	27-42V	86%	0.95	102*38.2*25mm
	LS-15-350 LI1 EXC	15W	220-240VAC	350mA	27-42V	84%	0.95	102*38.2*25mm
	LS-21-400 LI1 EXC	21W	220-240VAC	400mA	27-42V	85%	0.95	102*38.2*25mm
	LS-21-450 LI1 EXC	21W	220-240VAC	450mA	27-42V	85%	0.95	102*38.2*25mm
	LS-21-500 LI1 EXC	21W	220-240VAC	500mA	27-42V	86%	0.95	102*38.2*25mm
	LS-21-550 LI1 EXC	21W	220-240VAC	550mA	27-38.5V	86%	0.95	102*38.2*25mm
	LS-40-600 LI1 EXC S	40W	220-240VAC	600mA	24-42V	89%	0.95	102*38.2*25mm
	LS-40-650 LI1 EXC S	40W	220-240VAC	650mA	24-42V	89%	0.95	102*38.2*25mm
	LS-40-700 LI1 EXC S	40W	220-240VAC	700mA	24-42V	89%	0.95	102*38.2*25mm
	LS-40-750 LI1 EXC S	40W	220-240VAC	750mA	24-42V	89%	0.95	102*38.2*25mm
	LS-40-800 LI1 EXC S	40W	220-240VAC	800mA	24-42V	89%	0.95	102*38.2*25mm
	LS-40-850 LI1 EXC S	40W	220-240VAC	850mA	24-42V	89%	0.95	102*38.2*25mm
	LS-40-900 LI1 EXC S	40W	220-240VAC	900mA	24-42V	90%	0.95	102*38.2*25mm
	LS-40-950 LI1 EXC S	40W	220-240VAC	950mA	24-42V	90%	0.95	102*38.2*25mm
	LS-40-1000 LI1 EXC S	40W	220-240VAC	1000mA	24-40V	90%	0.95	102*38.2*25mm
	LS-40-1050 LI1 EXC S	40W	220-240VAC	1050mA	24-38.5V	90%	0.95	102*38.2*25mm
	LS-50-500 LI EXC	50W	220-240VAC	500mA	30-84V	91%	0.95	116*41.2*26mm
	LS-50-600 LI EXC	50W	220-240VAC	600mA	30-84V	91%	0.95	116*41.2*26mm
	LS-50-1100 LI EXC	50W	220-240VAC	1100mA	15-42V	91%	0.95	116*41.2*26mm

ON/OFF - 宽压

型号 Model	功率 Power	输入电压 Input Voltage	输出电流 Output Current	输出电压 Output Voltage	效率 Efficiency	功率因数 Power Factor	尺寸 Size (L*W*H)	
	LX-8-70 LI EXC	8W	100-277VAC	70mA	27-42V	59%	0.9	92*36*25mm
	LX-8-100 LI EXC	8W	100-277VAC	100mA	27-42V	66%	0.9	92*36*25mm
	LX-8-120 LI EXC	8W	100-277VAC	120mA	27-42V	71%	0.9	92*36*25mm
	LX-8-150 LI EXC	8W	100-277VAC	150mA	27-42V	71%	0.9	92*36*25mm
	LX-8-160 LI EXC	8W	100-277VAC	160mA	27-42V	71%	0.9	92*36*25mm

紧凑型 COMPACT

ON/OFF - 宽压

型号 Model	功率 Power	输入电压 Input Voltage	输出电流 Output Current	输出电压 Output Voltage	效率 Efficiency	功率因数 Power Factor	尺寸 Size (L*W*H)	
	LX-8-180 LI EXC	8W	100-277VAC	180mA	27-42V	76%	0.9	92*36*25mm
	LX-8-200 LI EXC	8W	100-277VAC	200mA	27-40V	76%	0.9	92*36*25mm
	LX-8-220 LI EXC	8W	100-277VAC	220mA	27-40V	76%	0.95	92*36*25mm
	LX-12-250 LI EXC	12W	100-277VAC	250mA	27-42V	78%	0.9	92*36*25mm
	LX-12-280 LI EXC	12W	100-277VAC	280mA	27-42V	78%	0.9	92*36*25mm
	LX-12-300 LI EXC	12W	100-277VAC	300mA	27-40V	78%	0.9	92*36*25mm
	LX-21-350 LI EXC	21W	100-277VAC	350mA	27-44V	85%	0.95	102*38.2*25mm
	LX-21-400 LI EXC	21W	100-277VAC	400mA	27-44V	85%	0.95	102*38.2*25mm
	LX-21-450 LI EXC	21W	100-277VAC	450mA	27-44V	85%	0.95	102*38.2*25mm
	LX-21-500 LI EXC	21W	100-277VAC	500mA	27-44V	85%	0.95	102*38.2*25mm
	LX-21-550 LI EXC	21W	100-277VAC	550mA	27-38.5V	85%	0.95	102*38.2*25mm
	LX-40-600 LI EXC	40W	100-277VAC	600mA	24-42V	88%	0.9	135*41.2*25mm
	LX-40-650 LI EXC	40W	100-277VAC	650mA	24-42V	88%	0.9	135*41.2*25mm
	LX-40-700 LI EXC	40W	100-277VAC	700mA	24-42V	88%	0.9	135*41.2*25mm
	LX-40-750 LI EXC	40W	100-277VAC	750mA	24-42V	88%	0.9	135*41.2*25mm
	LX-40-800 LI EXC	40W	100-277VAC	800mA	24-42V	88%	0.9	135*41.2*25mm
	LX-40-850 LI EXC	40W	100-277VAC	850mA	24-42V	88%	0.9	135*41.2*25mm
	LX-40-900 LI EXC	40W	100-277VAC	900mA	24-42V	88%	0.9	135*41.2*25mm
	LX-40-950 LI EXC	40W	100-277VAC	950mA	24-42V	88%	0.9	135*41.2*25mm
	LX-40-1000 LI EXC	40W	100-277VAC	1000mA	24-40V	88%	0.9	135*41.2*25mm
	LX-40-1050 LI EXC	40W	100-277VAC	1050mA	24-38.5V	88%	0.9	135*41.2*25mm

ON/OFF - 圆形

型号 Model	功率 Power	输入电压 Input Voltage	输出电流 Output Current	输出电压 Output Voltage	效率 Efficiency	功率因数 Power Factor	尺寸 Size (L*W*H)		
	CS-8-100 SB	8W	220-240VAC	100mA	30-40V	80%	0.5	Φ42.5*21mm	
	CS-8-120 SB	8W	220-240VAC	120mA	30-40V	80%	0.5	Φ42.5*21mm	
	CS-8-150 SB	8W	220-240VAC	150mA	30-40V	80%	0.5	Φ42.5*21mm	
	CS-8-180 SB	8W	220-240VAC	180mA	30-40V	80%	0.6	Φ42.5*21mm	
	CS-8-200 SB	8W	220-240VAC	200mA	30-40V	80%	0.6	Φ42.5*21mm	
	CS-8-220 SB	8W	220-240VAC	220mA	30-40V	80%	0.6	Φ42.5*21mm	
	CS-15-250 SB	15W	220-240VAC	250mA	27-42V	82%	0.6	Φ42.5*21mm	
	CS-15-280 SB	15W	220-240VAC	280mA	27-42V	82%	0.6	Φ42.5*21mm	
	CS-15-300 SB	15W	220-240VAC	300mA	27-42V	82%	0.6	Φ42.5*21mm	
	CS-15-350 SB	15W	220-240VAC	350mA	27-42V	82%	0.6	Φ42.5*21mm	
	CS-15-400 SB	15W	220-240VAC	400mA	27-42V	82%	0.6	Φ42.5*21mm	
		CS-25-450 LB	25W	220-240VAC	450mA	24-42V	87%	0.95	Φ56*25.5mm
		CS-25-500 LB	25W	220-240VAC	500mA	24-42V	87%	0.95	Φ56*25.5mm
		CS-25-550 LB	25W	220-240VAC	550mA	24-42V	88%	0.95	Φ56*25.5mm
		CS-25-600 LB	25W	220-240VAC	600mA	24-42V	88%	0.95	Φ56*25.5mm
CS-32-650 LB		32W	220-240VAC	650mA	24-42V	89%	0.95	Φ65*25mm	
CS-32-700 LB		32W	220-240VAC	700mA	24-42V	89%	0.95	Φ65*25mm	
CS-32-750 LB		32W	220-240VAC	750mA	24-42V	89%	0.95	Φ65*25mm	
CS-32-800 LB		32W	220-240VAC	800mA	24-42V	89%	0.95	Φ65*25mm	

紧凑型 COMPACT

ON/OFF - 圆形

型号 Model	功率 Power	输入电压 Input Voltage	输出电流 Output Current	输出电压 Output Voltage	效率 Efficiency	功率因数 Power Factor	尺寸 Size (L*W*H)
CS-8-120 SI	8W	220-240VAC	120mA	30-40V	80%	0.5	Φ42.5*21mm
CS-8-150 SI	8W	220-240VAC	150mA	30-40V	80%	0.5	Φ42.5*21mm
CS-8-180 SI	8W	220-240VAC	180mA	30-40V	80%	0.5	Φ42.5*21mm
CS-8-200 SI	8W	220-240VAC	200mA	30-40V	80%	0.5	Φ42.5*21mm
CS-15-250 SI	15W	220-240VAC	250mA	27-42V	82%	0.5	Φ42.5*21mm
CS-15-300 SI	15W	220-240VAC	300mA	27-42V	82%	0.5	Φ42.5*21mm
CS-15-350 SI	15W	220-240VAC	350mA	27-42V	82%	0.5	Φ42.5*21mm
CS-22-350 SI	22W	220-240VAC	350mA	27-42V	85%	0.5	Φ50*22mm
CS-22-400 SI	22W	220-240VAC	400mA	27-42V	85%	0.5	Φ50*22mm
CS-22-450 SI	22W	220-240VAC	450mA	27-42V	85%	0.5	Φ50*22mm
CS-22-500 SI	22W	220-240VAC	500mA	27-42V	85%	0.5	Φ50*22mm
P63 CS-22-550 SI	22W	220-240VAC	550mA	27-42V	85%	0.5	Φ50*22mm
CS-24-450 LI1	24W	220-240VAC	450mA	24-42V	87%	0.95	Φ56*25.5mm
CS-24-500 LI1	24W	220-240VAC	500mA	24-42V	87%	0.95	Φ56*25.5mm
CS-24-550 LI1	24W	220-240VAC	550mA	24-42V	88%	0.95	Φ56*25.5mm
CS-24-600 LI1	24W	220-240VAC	600mA	24-40V	88%	0.95	Φ56*25.5mm
CS-30-600 LI1	30W	220-240VAC	600mA	20-42V	89%	0.95	Φ65*25mm
CS-30-650 LI1	30W	220-240VAC	650mA	20-42V	89%	0.95	Φ65*25mm
CS-30-700 LI1	30W	220-240VAC	700mA	20-42V	89%	0.95	Φ65*25mm
CS-30-750 LI1	30W	220-240VAC	750mA	24-40V	89%	0.95	Φ65*25mm
CS-42-800 LI1	42W	220-240VAC	800mA	24-42V	90%	0.95	Φ65*25mm
CS-42-850 LI1	42W	220-240VAC	850mA	24-42V	90%	0.95	Φ65*25mm
CS-42-900 LI1	42W	220-240VAC	900mA	24-42V	90%	0.95	Φ65*25mm
CS-42-950 LI1	42W	220-240VAC	950mA	24-42V	90%	0.95	Φ65*25mm
CS-42-1000 LI1	42W	220-240VAC	1000mA	24-42V	90%	0.95	Φ65*25mm
P64 CS-42-1050 LI1	42W	220-240VAC	1050mA	24-40V	90%	0.95	Φ65*25mm

ON/OFF - 带引线

型号 Model	功率 Power	输入电压 Input Voltage	输出电流 Output Current	输出电压 Output Voltage	效率 Efficiency	功率因数 Power Factor	尺寸 Size (L*W*H)
CH-12-300 IP65 LB1	12W	100-240VAC	300mA	24-40V	81%	0.95	Φ55*26mm
CH-12-350 IP65 LB1	12W	100-240VAC	350mA	20-35V	81%	0.95	Φ55*26mm
CH-12-500 IP65 LB1	12W	100-240VAC	500mA	14-24V	81%	0.95	Φ55*26mm
CH-12-700 IP65 LB1	12W	100-240VAC	700mA	10.5-17.5V	81%	0.95	Φ55*26mm
CH-18-300 IP65 LB	18W	100-240VAC	300mA	36-60V	86%	0.95	Φ55*26mm
CH-18-350 IP65 LB	18W	100-240VAC	350mA	31-52V	86%	0.95	Φ55*26mm
CH-18-450 IP65 LB	18W	100-240VAC	450mA	24-40V	86%	0.95	Φ55*26mm
CH-18-700 IP65 LB	18W	100-240VAC	700mA	15.5-26V	87%	0.95	Φ55*26mm
CH-25-350 IP65 LB1	25W	100-240VAC	350mA	43-72V	86%	0.95	Φ65*28mm
CH-25-600 IP65 LB1	25W	100-240VAC	600mA	25-42V	86%	0.95	Φ65*28mm
P65 CH-25-700 IP65 LB1	25W	100-240VAC	700mA	21.5-36V	86%	0.95	Φ65*28mm
SS-6-300 MB	6W	220-240VAC	300mA	10-20V	76%	0.7	58.1*28.5*21mm
SS-6-350 MB	6W	220-240VAC	350mA	8-20V	76%	0.7	58.1*28.5*21mm
SS-6-700 MB	6W	220-240VAC	700mA	2.8-9V	76%	0.7	58.1*28.5*21mm
SS-9-200 MB-G	9W	220-240VAC	200mA	27-45V	78%	0.8	60*34*23.5mm
SS-9-350 MB-G	9W	220-240VAC	350mA	15-26V	78%	0.8	60*34*23.5mm
P66 SS-9-700 MB-G	9W	220-240VAC	700mA	7-13V	78%	0.8	60*34*23.5mm

紧凑型 COMPACT

ON/OFF - 带引线

型号 Model	功率 Power	输入电压 Input Voltage	输出电流 Output Current	输出电压 Output Voltage	效率 Efficiency	功率因数 Power Factor	尺寸 Size (L*W*H)
SS-12-300 MB-G	12W	220-240VAC	300mA	24-40V	81%	0.8	60*34*23.5mm
SS-12-350 MB-G	12W	220-240VAC	350mA	20-34.5V	81%	0.8	60*34*23.5mm
SS-12-500 MB-G	12W	220-240VAC	500mA	14.5-24V	81%	0.8	60*34*23.5mm
P66 SS-12-700 MB-G	12W	220-240VAC	700mA	10-18V	81%	0.8	60*34*23.5mm
SS-9-200 MX-G	9W	220-240VAC	200mA	27-45V	81%	0.7	55*41*21.5mm
SS-9-300 MX-G	9W	220-240VAC	300mA	18-30V	81%	0.7	55*41*21.5mm
SS-9-350 MX-G	9W	220-240VAC	350mA	15-26V	81%	0.7	55*41*21.5mm
SS-9-700 MX-G	9W	220-240VAC	700mA	7-13V	81%	0.7	55*41*21.5mm
SS-12-300 MX-G	12W	220-240VAC	300mA	24-40V	80%	0.7	55*41*21.5mm
SS-12-350 MX-G	12W	220-240VAC	350mA	20-34.5V	80%	0.7	55*41*21.5mm
SS-12-500 MX-G	12W	220-240VAC	500mA	14.5-24V	80%	0.7	55*41*21.5mm
P67 SS-12-700 MX-G	12W	220-240VAC	700mA	10-18V	80%	0.7	55*41*21.5mm
SH-3-300 IP65 SB	3W	100-240VAC	300mA	2.5-12V	68%	0.5	47*23*21mm
SH-3-350 IP65 SB	3W	100-240VAC	350mA	2.5-10V	68%	0.5	47*23*21mm
SH-3-500 IP65 SB	3W	100-240VAC	500mA	2.5-7V	68%	0.5	47*23*21mm
P68 SH-3-700 IP65 SB	3W	100-240VAC	700mA	2.5-4.5V	68%	0.5	47*23*21mm

迷你型 MINI

智能 - DALI+0-10V

型号 Model	功率 Power	输入电压 Input Voltage	输出电流 Output Current	输出电压 Output Voltage	效率 Efficiency	功率因数 Power Factor	尺寸 Size (L*W*H)
FLX-42-1050 DALI-2 0-10 LN PRO	42W	100-240VAC	150-1050mA	2.5-49V	89%	0.95	97*43*30mm

智能 - DALI-2 DT8

型号 Model	功率 Power	输入电压 Input Voltage	输出电流 Output Current	输出电压 Output Voltage	效率 Efficiency	功率因数 Power Factor	尺寸 Size (L*W*H)
FLS-20-500 DALI-2 DT8 LN ADV	20W	220-240VAC	150-500mA	2.5-49V	87%	0.95	98*43*22mm
FLS-42-1050 DALI-2 DT8 LN ADV	42W	220-240VAC	300-1050mA	2.5-49V	90%	0.95	113*43*25mm
FLS-20-500 DALI-2 DT8 LN PRO	20W	220-240VAC	80-500mA	2.5-49V	87%	0.95	98*43*22mm
FLS-42-1050 DALI-2 DT8 LN PRO	42W	220-240VAC	300-1050mA	2.5-49V	90%	0.95	113*43*25mm
P71 FLS-60-1500 DALI-2 DT8 LN PRO	60W	220-240VAC	900-1500mA	9-49V	90%	0.95	113*43*25mm

智能 - DALI-2

型号 Model	功率 Power	输入电压 Input Voltage	输出电流 Output Current	输出电压 Output Voltage	效率 Efficiency	功率因数 Power Factor	尺寸 Size (L*W*H)
FLS-12-300 DALI-2 LD1 ADV	12W	220-240V	150-300mA	24-42V	91%	0.95	98*43*22mm
FLS-30-700 DALI-2 LD1 ADV	30W	220-240V	350-700mA	24-42V	93%	0.95	98*43*22mm
P72 FLS-42-1050 DALI-2 LD1 ADV	42W	220-240V	700-1050mA	24-42V	93%	0.95	98*43*22mm
FLS-36-850 DALI-2 CCT LD	36W	220-240VAC	550-850mA	24-42V	92%	0.95	113*43*25mm
P73 FLS-42-1050 DALI-2 CCT LD	42W	220-240VAC	500-1050mA	25-42V	92%	0.95	113*43*25mm
P74 FLS-42-1050 DALI-2 LD ADV	42W	220-240VAC	150-1050mA	2.5-52V	87%	0.95	97*43*30mm

迷你型 MINI

智能 - DALI-2

型号 Model	功率 Power	输入电压 Input Voltage	输出电流 Output Current	输出电压 Output Voltage	效率 Efficiency	功率因数 Power Factor	尺寸 Size (L*W*H)
FLS-20-500 DALI-2 LD PRO	20W	220-240VAC	80-500mA	2.5-49V	87%	0.95	88*40*22mm
FLS-30-700 DALI-2 LD PRO	30W	220-240VAC	150-700mA	2.5-49V	90%	0.95	98*43*22mm
FLS-42-1050 DALI-2 LD PRO	42W	220-240VAC	300-1050mA	2.5-49V	90%	0.95	98*43*22mm
FLS-42-1050 DALI-2 LD1 PRO	42W	220-240VAC	150-1050mA	2.5-49V	90%	0.95	98*43*22mm
FLS-60-1500 DALI-2 LD PRO	60W	220-240VAC	900-1500mA	9-49V	90%	0.95	113*43*25mm
FLS-42-1050 DALI-2 LD2 PRO	42W	220-240VAC	300-1050mA	2.5-49V	90%	0.95	98*43*22mm
FLS-20-500 DALI-2 LN PRO	20W	220-240VAC	80-500mA	2.5-49V	87%	0.95	88*40*22mm
FLS-30-700 DALI-2 LN PRO	30W	220-240VAC	150-700mA	2.5-49V	89%	0.95	98*43*22mm

智能 - 0-10V

型号 Model	功率 Power	输入电压 Input Voltage	输出电流 Output Current	输出电压 Output Voltage	效率 Efficiency	功率因数 Power Factor	尺寸 Size (L*W*H)
FLS-20-500 0-10 LD ADV	20W	220-240VAC	350-500mA	9-42V	84%	0.95	98*43*22mm
FLS-32-700 0-10 LD ADV	32W	220-240VAC	550-700mA	9-42V	85%	0.95	98*43*22mm
FLS-42-1050 0-10 LD ADV	42W	220-240VAC	700-1050mA	9-42V	86%	0.95	113*43*25mm
FLS-60-1500 0-10 LD ADV	60W	220-240VAC	1150-1500mA	9-42V	88%	0.95	123*43*25mm

智能 - 无线

型号 Model	功率 Power	输入电压 Input Voltage	输出电流 Output Current	输出电压 Output Voltage	效率 Efficiency	功率因数 Power Factor	尺寸 Size (L*W*H)
FLS-42-1050 Blue LD-CSB ADV	42W	220-240VAC	150-1050mA	2.5-49V	89%	0.95	97*43*30mm

ON/OFF - 高效

型号 Model	功率 Power	输入电压 Input Voltage	输出电流 Output Current	输出电压 Output Voltage	效率 Efficiency	功率因数 Power Factor	尺寸 Size (L*W*H)
FLS-20-500 LD1 PRO	20W	220-240VAC	350-500mA	27-40V	93%	0.95	98*43*22mm
FLS-30-700 LD1 PRO	30W	220-240VAC	550-700mA	27-40V	94%	0.95	98*43*22mm
FLS-38-900 LD1 PRO	38W	220-240VAC	750-900mA	27-40V	94%	0.95	98*43*22mm
FLS-42-1050 LD1 PRO	42W	220-240VAC	900-1050mA	27-40V	94%	0.95	98*43*22mm

ON/OFF - 色温可调

型号 Model	功率 Power	输入电压 Input Voltage	输出电流 Output Current	输出电压 Output Voltage	效率 Efficiency	功率因数 Power Factor	尺寸 Size (L*W*H)
FLS-36-850 CCT LD	36W	220-240VAC	550-850mA	30-40V	90%	0.95	113*43*25mm
FLS-42-1050 CCT LD	42W	220-240VAC	500-1050mA	30-42V	90%	0.95	113*43*25mm

ON/OFF - 拨码

型号 Model	功率 Power	输入电压 Input Voltage	输出电流 Output Current	输出电压 Output Voltage	效率 Efficiency	功率因数 Power Factor	尺寸 Size (L*W*H)
FLS-21-500 LD1 EXC	21W	220-240VAC	350-500mA	27-42V	85%	0.95	88*40*22mm
FLS-30-700 LD1 EXC	30W	220-240VAC	550-700mA	9-42V	89%	0.95	88*40*22mm
FLS-38-900 LD1 EXC	38W	220-240VAC	750-900mA	9-42V	89%	0.95	88*40*22mm
FLS-40-1050 LD1 EXC	40W	220-240VAC	900-1050mA	9-42V	90%	0.95	88*40*22mm
FLS-42-1050 LD PRO	42W	220-240VAC	150-1050mA	2.5-42V	89%	0.95	98*43*22mm
FLS-42-1050 LD1 ADV	42W	220-240VAC	300-1050mA	9-40V	89%	0.95	98*43*22mm

导轨电源 TRACK

智能 - DALI-2 DT8

型号 Model	功率 Power	输入电压 Input Voltage	输出电流 Output Current	输出电压 Output Voltage	效率 Efficiency	功率因数 Power Factor	尺寸 Size (L*W*H)
FDS-28-750 DALI-2 DT8 LD	28W	220-240VAC	100-750mA	10-42V	86%	0.95	218*31*42mm

智能 - DALI-2

型号 Model	功率 Power	输入电压 Input Voltage	输出电流 Output Current	输出电压 Output Voltage	效率 Efficiency	功率因数 Power Factor	尺寸 Size (L*W*H)
FDS-42-1050 DALI-2 LD PRO	42W	220-240VAC	300-1050mA	2.5-42V	89%	0.95	202*31*42mm
FDS-42-1050 DALI-2 LD EXC	42W	220-240VAC	300-1050mA	10-42V	88%	0.95	178*31*42mm

智能 - CASAMBI

型号 Model	功率 Power	输入电压 Input Voltage	输出电流 Output Current	输出电压 Output Voltage	效率 Efficiency	功率因数 Power Factor	尺寸 Size (L*W*H)
FDS-32-800 Blue LN-CSB	32W	220-240VAC	200-800mA	2.5-49V	89%	0.95	161*31*42mm

ON/OFF - 四线

型号 Model	功率 Power	输入电压 Input Voltage	输出电流 Output Current	输出电压 Output Voltage	效率 Efficiency	功率因数 Power Factor	尺寸 Size (L*W*H)
FDS-40-1050 CCT LD2 PRO	40W	220-240VAC	300-1050mA	9-40V	90%	0.95	133*31*42mm
FDS-40-1050 LD2 PRO	40W	220-240VAC	300-1050mA	9-40V	90%	0.95	133*31*42mm
FDS-42-1050 CCT LD	42W	220-240VAC	800-900-1050mA	10-42V	89%	0.95	178*31*42mm
FDS-20-500 LD EXC S	20W	220-240VAC	150-500mA	10-40V	90%	0.95	123*31*42mm
FDS-28-750 LD EXC S	28W	220-240VAC	100-750mA	10-40V	88%	0.95	123*31*42mm
FDS-42-1050 LD EXC S	42W	220-240VAC	700-1050mA	10-42V	90%	0.95	133*31*42mm
FDS-18-450 LD2 EXC	18W	220-240VAC	200-450mA	24-42V	89%	0.95	155*31*42mm
FDS-30-750 LD2 EXC	30W	220-240VAC	500-750mA	24-42V	90%	0.95	155*31*42mm
FDS-42-1050 LD2 EXC	42W	220-240VAC	800-1050mA	24-42V	90%	0.95	155*31*42mm
FDS-42-1050 LD1 EXC	42W	220-240VAC	300-1050mA	10-42V	89%	0.95	212*31*36mm

ON/OFF - 三线

型号 Model	功率 Power	输入电压 Input Voltage	输出电流 Output Current	输出电压 Output Voltage	效率 Efficiency	功率因数 Power Factor	尺寸 Size (L*W*H)
FDS-12-300 LD2-3 Wires	12W	220-240VAC	150-300mA	15-42V	85%	0.95	130*34*45.5mm
FDS-21-500 LD2-3 Wires	21W	220-240VAC	350-500mA	15-42V	88%	0.95	130*34*45.5mm
FDS-30-750 LD2-3 Wires	30W	220-240VAC	600-750mA	15-42V	90%	0.95	130*34*45.5mm
FDS-42-1050 LD2-3 Wires	42W	220-240VAC	700-1050mA	15-42V	90%	0.95	130*34*45.5mm

恒压 CV

智能

- DALI+0-10V

型号 Model	功率 Power	输入电压 Input Voltage	输出电流 Output Current	输出电压 Output Voltage	效率 Efficiency	功率因数 Power Factor	尺寸 Size (L*W*H)
VTS-200-24 DALI-2 0-10 IP65 L	200W	220-240VAC	0-8.33A	24V	91%	0.95	350*45*33mm
P96 VTS-200-24 DALI-2 0-10 L	200W	220-240VAC	0-8.33A	24V	91%	0.95	350*45*33mm

智能

- DALI-2 DT8

型号 Model	功率 Power	输入电压 Input Voltage	输出电流 Output Current	输出电压 Output Voltage	效率 Efficiency	功率因数 Power Factor	尺寸 Size (L*W*H)
LS-45-24 DALI-2 DT8 LN ADV	45W	220-240VAC	0-1.88A	24V	89%	0.95	227*38*30mm
LS-45-24 DALI-2 DT8 LI1	45W	220-240VAC	0-1.88A	24V	89%	0.95	227*38*30mm
LS-80-24 DALI-2 DT8 LN ADV	80W	220-240VAC	0-3.33A	24V	89%	0.95	318*38*30mm
LS-80-24 DALI-2 DT8 LI1	80W	220-240VAC	0-3.33A	24V	89%	0.95	318*38*30mm
LS-150-24 DALI-2 DT8 LN ADV	150W	220-240VAC	0-6.25A	24V	90%	0.95	318*38*30mm
P97 LS-150-24 DALI-2 DT8 LI1	150W	220-240VAC	0-6.25A	24V	91%	0.95	318*38*30mm

智能

- DALI-2

型号 Model	功率 Power	输入电压 Input Voltage	输出电流 Output Current	输出电压 Output Voltage	效率 Efficiency	功率因数 Power Factor	尺寸 Size (L*W*H)
LS-45-24 DALI-2 LI1	45W	220-240VAC	0-1.88A	24V	87%	0.95	168*38*30mm
LS-80-24 DALI-2 LI1	80W	220-240VAC	0-3.33A	24V	89%	0.95	227*38*30mm
LS-150-24 DALI-2 LI1	120W	220-240VAC	0-6.25A	24V	91%	0.95	318*38*30mm
P98 LS-250-24 DALI-2 LI	250W	220-240VAC	0-10.41A	24V	91%	0.95	431*45*30mm
US-60-24 DALI-2 LI	60W	220-240VAC	0-2.5A	24V	89%	0.95	298*30*16mm
US-100-24 DALI-2 LI	100W	220-240VAC	0-4.16A	24V	89%	0.95	353*30*18mm
P99 US-150-24 DALI-2 LI	150W	220-240VAC	0-6.25A	24V	90%	0.95	383*30*18mm

智能

- 0-10V

型号 Model	功率 Power	输入电压 Input Voltage	输出电流 Output Current	输出电压 Output Voltage	效率 Efficiency	功率因数 Power Factor	尺寸 Size (L*W*H)
LS-45-24 0-10 LI	45W	220-240VAC	0-1.88A	24V	87%	0.95	168*38*30mm
LS-80-24 0-10 LI	80W	220-240VAC	0-3.33A	24V	89%	0.95	227*38*30mm
LS-150-24 0-10 LI	150W	220-240VAC	0-6.25A	24V	92%	0.95	318*38*30mm
P100 LS-250-24 0-10 LI	250W	220-240VAC	0-10.41A	24V	91%	0.95	431*45*30.5mm

ON/OFF

- 细长型

型号 Model	功率 Power	输入电压 Input Voltage	输出电流 Output Current	输出电压 Output Voltage	效率 Efficiency	功率因数 Power Factor	尺寸 Size (L*W*H)
LS-30-12 LI1 EXC	30W	220-240VAC	0-2.5A	12V	86%	0.95	116*41.2*26mm
LS-30-24 LI1 EXC	30W	220-240VAC	0-1.25A	24V	86%	0.95	116*41.2*26mm
LS-30-48 LI1 EXC	30W	220-240VAC	0-0.625A	48V	86%	0.95	116*41.2*26mm
LS-60-12 LI1 EXC	60W	220-240VAC	0-5A	12V	88%	0.95	150*45*30mm
LS-60-24 LI1 EXC	60W	220-240VAC	0-2.5A	24V	88%	0.95	150*45*30mm
LS-75-12 LI1 EXC	75W	220-240VAC	0-6.25A	12V	89%	0.95	150*45*30mm
P101 LS-75-24 LI1 EXC	75W	220-240VAC	0-3.13A	24V	89%	0.95	150*45*30mm
LS-30-12 LI EXC	30W	220-240VAC	0-2.5A	12V	87%	0.95	136*38*28mm
LS-30-24 LI EXC	30W	220-240VAC	0-1.25A	24V	87%	0.95	136*38*28mm
LS-60-12 LI EXC	60W	220-240VAC	0-5A	12V	88%	0.95	168*38*30mm
P102 LS-60-24 LI EXC	60W	220-240VAC	0-2.5A	24V	88%	0.95	168*38*30mm

恒压 CV

ON/OFF

- 细长型

型号 Model	功率 Power	输入电压 Input Voltage	输出电流 Output Current	输出电压 Output Voltage	效率 Efficiency	功率因数 Power Factor	尺寸 Size (L*W*H)
LS-75-12 LI EXC	75W	220-240VAC	0-6.25A	12V	88%	0.95	168*38*30mm
LS-75-24 LI EXC	75W	220-240VAC	0-3.13A	24V	89%	0.95	168*38*30mm
LS-75-48 LI EXC	75W	220-240VAC	0-1.56A	48V	90%	0.95	168*38*30mm
LS-120-24 LI EXC	120W	220-240VAC	0-5A	24V	93%	0.95	227*38*30mm
LS-120-48 LI EXC	120W	220-240VAC	0-2.5A	48V	93%	0.95	227*38*30mm
LS-150-24 LI EXC	150W	220-240VAC	0-6.25A	24V	93%	0.95	227*38*30mm
LS-150-48 LI EXC	150W	220-240VAC	0-3.13A	48V	93%	0.95	227*38*30mm
LS-200-24 LI EXC	200W	220-240VAC	0-8.33A	24V	93%	0.95	318*45*30mm
LS-200-48 LI EXC	200W	220-240VAC	0-4.17A	48V	93%	0.95	318*45*30mm
LS-250-24 LI EXC	250W	220-240VAC	0-10.4A	24V	93%	0.95	318*45*30mm
P102 LS-250-48 LI EXC	250W	220-240VAC	0-5.2A	48V	93%	0.95	318*45*30mm
MS-120-48 LX-YX	120W	220-240VAC	0-2.5A	48V	92%	0.95	242*34*24.2mm
MS-150-48 LX-YX1	150W	220-240VAC	0-3.125A	48V	92%	0.95	249*34*22mm
P103 MS-200-48 LX-YX	200W	220-240VAC	0-4.17A	48V	92%	0.95	306*34*22mm

ON/OFF

- 超薄

型号 Model	功率 Power	输入电压 Input Voltage	输出电流 Output Current	输出电压 Output Voltage	效率 Efficiency	功率因数 Power Factor	尺寸 Size (L*W*H)
US-30-12 LI EXC	30W	220-240VAC	0-2.5A	12V	88%	0.95	238*30*16mm
US-30-24 LI EXC	30W	220-240VAC	0-1.25A	24V	88%	0.95	238*30*16mm
US-60-12 LI EXC	60W	220-240VAC	0-5A	12V	88%	0.95	298*30*16mm
US-60-24 LI EXC	60W	220-240VAC	0-2.5A	24V	88%	0.95	298*30*16mm
US-100-12 LI EXC	100W	220-240VAC	0-8.33A	12V	90%	0.95	353*30*18mm
US-100-24 LI EXC	100W	220-240VAC	0-4.17A	24V	90%	0.95	353*30*18mm
US-150-24 LI EXC	150W	220-240VAC	0-6.25A	24V	93%	0.95	353*30*18mm
US-150-48 LI EXC	150W	220-240VAC	0-3.13A	48V	93%	0.95	353*30*18mm
US-200-24 LI EXC	200W	220-240VAC	0-8.33A	24V	93%	0.95	383*30*18mm
P104 US-200-48 LI EXC	200W	220-240VAC	0-4.17A	48V	93%	0.95	383*30*18mm
US-30-12 LI EXC S	30W	220-240VAC	0-2.5A	12V	88%	0.95	154*50*14mm
US-30-24 LI EXC S	30W	220-240VAC	0-1.25A	24V	88%	0.95	154*50*14mm
US-60-12 LI EXC S	60W	220-240VAC	0-5A	12V	91%	0.95	154*50*14mm
US-60-24 LI EXC S	60W	220-240VAC	0-2.5A	24V	88%	0.95	154*50*14mm
US-75-12 LI EXC S	75W	220-240VAC	0-6.25A	12V	89%	0.95	174*50*14.8mm
US-75-24 LI EXC S	75W	220-240VAC	0-3.125A	24V	89%	0.95	174*50*14.8mm
US-100-12 LI EXC S	100W	220-240VAC	0-8.33A	12V	91%	0.95	177*56.4*17.2mm
US-100-24 LI EXC S	100W	220-240VAC	0-4.16A	24V	91%	0.95	177*56.4*17.2mm
US-150-12 LI EXC S	150W	220-240VAC	0-11A	12V	92%	0.95	177*56.4*17.2mm
P105 US-150-24 LI EXC S	150W	220-240VAC	0-6.25A	24V	93%	0.95	177*56.4*17.2mm

ON/OFF

- 带引线

型号 Model	功率 Power	输入电压 Input Voltage	输出电流 Output Current	输出电压 Output Voltage	效率 Efficiency	功率因数 Power Factor	尺寸 Size (L*W*H)
SS-30-12 LB	30W	220-240VAC	0-2.75A	12V	85%	0.95	95*53*32.5mm
SS-30-24 LB	30W	220-240VAC	0-1.25A	24V	85%	0.95	95*53*32.5mm
SS-45-12 LB	45W	220-240VAC	0-3.75A	12V	85%	0.95	95*53*32.5mm
SS-45-24 LB	45W	220-240VAC	0-1.88A	24V	85%	0.95	95*53*32.5mm
P106 SS-60-24 LB	60W	220-240VAC	0-2.5A	24V	87%	0.95	110.5*59.5*32.5mm

恒压 C V

ON/OFF - IP67

型号 Model	功率 Power	输入电压 Input Voltage	输出电流 Output Current	输出电压 Output Voltage	效率 Efficiency	功率因数 Power Factor	尺寸 Size (L*W*H)
VTS-24-12 IP67 L	24W	220-240VAC	0-2A	12V	86%	0.95	118*35*26mm
VTS-24-24 IP67 L	24W	220-240VAC	0-1A	24V	86%	0.95	118*35*26mm
VTS-40-12 IP67 L	40W	220-240VAC	0-3.34A	12V	86%	0.95	148*42*30mm
VTS-40-24 IP67 L	40W	220-240VAC	0-1.67A	24V	88%	0.95	148*42*30mm
VTS-60-12 IP67 L	60W	220-240VAC	0-5A	12V	87%	0.95	162.5*42.5*32mm
VTS-60-24 IP67 L	60W	220-240VAC	0-2.5A	24V	89%	0.95	162.5*42.5*32mm
VTS-100-12 IP67 L	100W	220-240VAC	0-8.33A	12V	87%	0.95	190*52*33mm
VTS-100-24 IP67 L	100W	220-240VAC	0-4.17A	24V	89%	0.95	190*52*33mm
VTS-160-12 IP67 L	160W	220-240VAC	0-13.3A	12V	91%	0.95	190*52*37.5mm
VTS-160-24 IP67 L	160W	220-240VAC	0-6.67A	24V	92%	0.95	190*52*37.5mm
P107 VTS-160-48 IP67 L	160W	220-240VAC	0-3.33A	48V	92%	0.95	190*52*37.5mm



P107

ON/OFF - 铝壳恒压

型号 Model	功率 Power	输入电压 Input Voltage	输出电流 Output Current	输出电压 Output Voltage	效率 Efficiency	功率因数 Power Factor	尺寸 Size (L*W*H)
MH-60-24 LI	60W	100-240VAC	0-2.5A	24V	88.5%	0.9	141*55*27mm
MH-60-36 LI	60W	100-240VAC	0-1.67A	36V	89%	0.9	141*55*27mm
MH-60-48 LI	60W	100-240VAC	0-1.25A	48V	89.5%	0.9	141*55*27mm
MH-100-24 LI	100W	100-240VAC	0-4.17A	24V	88.5%	0.9	152*55*27mm
MH-100-36 LI	100W	100-240VAC	0-2.78A	36V	89%	0.9	152*55*27mm
MH-100-48 LI	100W	100-240VAC	0-2.08A	48V	89.5%	0.9	152*55*27mm
MH-200-24 LI	200W	100-240VAC	0-8.33A	24V	92%	0.9	195*55*27mm
MH-200-36 LI	200W	100-240VAC	0-5.56A	36V	92.5%	0.9	195*55*27mm
MH-200-48 LI	200W	100-240VAC	0-4.17A	48V	92.5%	0.9	195*55*27mm
MH-300-24 LI	300W	100-240VAC	0-12.5A	24V	92.5%	0.9	224*62*32mm
MH-300-36 LI	300W	100-240VAC	0-8.33A	36V	93%	0.9	224*62*32mm
MH-300-48 LI	300W	100-240VAC	0-6.25A	48V	93%	0.9	224*62*32mm
MH-400-24 LI	400W	100-240VAC	0-16.66A	24V	93.5%	0.9	231*79*32mm
MH-400-36 LI	400W	100-240VAC	0-11.11A	36V	93.5%	0.9	231*79*32mm
P108 MH-400-48 LI	400W	100-240VAC	0-8.33A	48V	93.5%	0.9	231*79*32mm



P108



P109

MS-60-24 SI	60W	220-240VAC	0-2.5A	24V	89%	0.5	128*37*27.5mm
MS-100-24 SI	100W	220-240VAC	0-1.25A	24V	89%	0.5	162*51*27.5mm
MS-150-24 SI	150W	220-240VAC	0-6.25A	24V	90%	0.5	198*51*27.5mm
MS-200-24 SI	200W	220-240VAC	0-8.33A	24V	90%	0.5	198*51*27.5mm
MS-250-24 SI	250W	220-240VAC	0-10.42A	24V	91%	0.5	228*51*27.5mm
P109 MS-300-24 SI	300W	220-240VAC	0-12.5A	24V	91%	0.5	248*51*27.5mm

美规 NORTH AMERICAN

ON/OFF - 0-10V+可控硅

型号 Model	功率 Power	输入电压 Input Voltage	输出电流 Output Current	输出电压 Output Voltage	效率 Efficiency	功率因数 Power Factor	尺寸 Size (L*W*H)
FMW-30-750 0-10 TRIAC LD-S	30W	120-277VAC	350-750mA	27-42V	85%	0.9	108.4*61*25mm
P111 FMW-50-1250 0-10 TRIAC LD-S	50W	120-277VAC	750-1250mA	27-42V	85%	0.9	108.4*61*25mm



P111

美规 NORTH AMERICAN

ON/OFF - 0-10V

型号 Model	功率 Power	输入电压 Input Voltage	输出电流 Output Current	输出电压 Output Voltage	效率 Efficiency	功率因数 Power Factor	尺寸 Size (L*W*H)
FMW-30-750 0-10 LN	30W	120-277VAC	350-750mA	27-42V	85%	0.9	280*30*21mm
FMW-30-750 0-10 LD	30W	120-277VAC	350-750mA	27-42V	85%	0.9	280*30*21mm
FMW-50-1250 0-10 LN	50W	120-277VAC	750-1250mA	27-42V	86%	0.9	280*30*21mm
P112 FMW-50-1250 0-10 LD	50W	120-277VAC	750-1250mA	27-42V	85%	0.9	280*30*21mm



P112

配件 ACCESSORIES

DALI 网关

型号 Model	功率 Power	输入电压 Input Voltage	输出电流 Output Current	输出电压 Output Voltage	效率 Efficiency	功率因数 Power Factor	尺寸 Size (L*W*H)
-------------	-------------	-----------------------	------------------------	------------------------	------------------	----------------------	--------------------



P114

ER-GW-DALI-2 02-A	5W	24V	250mA*2	16V*2	/	/	108*64*88mm
-------------------	----	-----	---------	-------	---	---	-------------

DALI 调光

型号 Model	功率 Power	输入电压 Input Voltage	输出电流 Output Current	输出电压 Output Voltage	效率 Efficiency	功率因数 Power Factor	尺寸 Size (L*W*H)
-------------	-------------	-----------------------	------------------------	------------------------	------------------	----------------------	--------------------



P115

ER-T-DALI-2 DT8 JQ-01 A	0.8W	16V	50mA	16V	/	/	80*80*28mm
-------------------------	------	-----	------	-----	---	---	------------

DALI 面板

型号 Model	功率 Power	输入电压 Input Voltage	输出电流 Output Current	输出电压 Output Voltage	效率 Efficiency	功率因数 Power Factor	尺寸 Size (L*W*H)
-------------	-------------	-----------------------	------------------------	------------------------	------------------	----------------------	--------------------



P116

ER-SP-DALI-2 06-A	/	16V	/	/	/	/	86*86*38mm
-------------------	---	-----	---	---	---	---	------------

DALI 传感器

型号 Model	功率 Power	输入电压 Input Voltage	输出电流 Output Current	输出电压 Output Voltage	效率 Efficiency	功率因数 Power Factor	尺寸 Size (L*W*H)
-------------	-------------	-----------------------	------------------------	------------------------	------------------	----------------------	--------------------



P117

ER-BS-DALI-2 01-A	/	16V	/	/	/	/	Φ38*46.3mm
-------------------	---	-----	---	---	---	---	------------

其他 OTHERS

可选配件 Optional Accessories

P118

线性系列

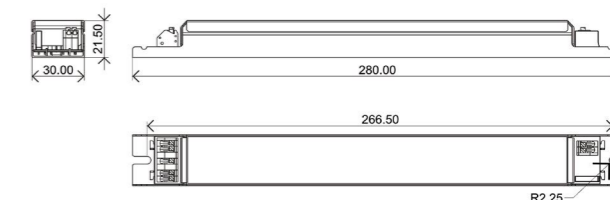
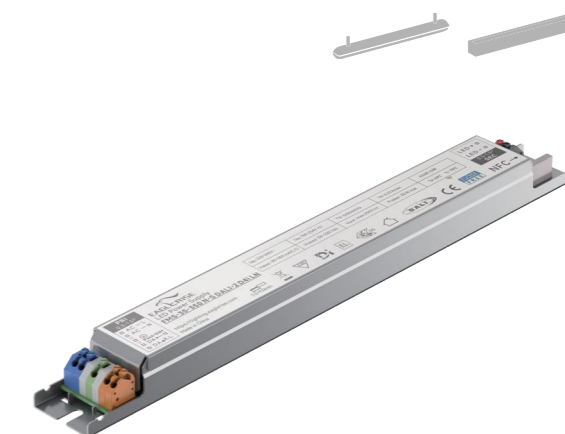
LED DRIVER LINEAR SERIES

应用场景：
线性灯
三防灯

线性 - 非隔离智能系列

D4i+DALI-2+NFC

- 可适配I/II类灯具
· For luminaire of protection class I and II
- 非隔离/ 内置式
· Non Isolated/ Built-in
- 输入电压 220-240 VAC
· Input Voltage 220-240 VAC
- 多重保护：短路保护/ 过载保护/ 过压保护/ 过温保护
· Protection: SCP/ OLP/ OVP/ OTP
- 集成DALI-2总线电源
· Integrated DALI-2 bus power supply
- 支持DALI调光
· DALI dimming
- 含DALI-2协议250, 251, 252及253
· DALI-2 Parts 250, 251, 252 and 253
- NFC调节输出电流
· Output current adjust via NFC
- 适用于应急照明，符合EN 50172
· Suitable for emergency lighting acc. to EN 50172
- 5年质保
· 5 years warranty
- Ta, Tc: 60°C/ 85°C

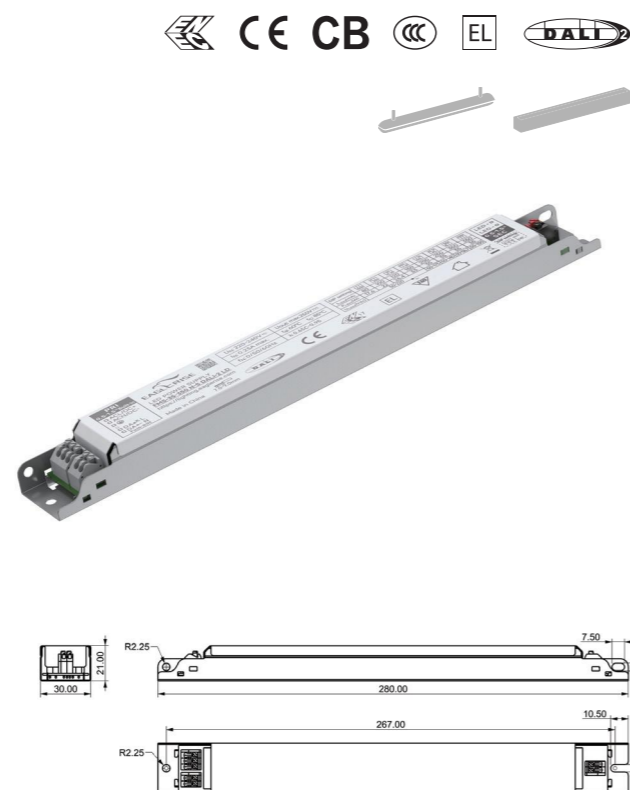


Model 型号	Power 功率	Input Voltage 输入电压	Output Current 输出电流	Output Voltage 输出电压	Efficiency 效率	Power Factor 功率因数	Size (L*W*H) 尺寸
FMS-35-350 N-S DALI-2 D4i LN	35W	220-240VAC	80-350mA	50-220V	92%	0.95	280*30*21mm
FMS-75-500 N-S DALI-2 D4i LN	75W	220-240VAC	150-500mA	50-220V	93%	0.95	360*30*21mm
FMS-100-1050 N-S DALI-2 D4i LN	100W	220-240VAC	300-1050mA	50-220V	94%	0.95	360*30*21mm
FMS-150-1050 N-S DALI-2 D4i LN	150W	220-240VAC	300-1050mA	50-220V	95%	0.95	360*30*21mm

线性 - 非隔离智能系列

DALI-2+拨码

- 可适配I/ II类灯具
- For luminaire of protection class I and II
- 非隔离/内置式/独立式 (带侧盖)
- Non Isolated/ Built-in/ Independent (with side caps)
- 输入电压 220-240VAC
- Input voltage: 220-240VAC
- 多重保护: 短路保护、过载保护、过压保护、过温保护
- Protections: SCP/ OLP/ OVP/ OTP
- 支持DALI、PUSH调光, 走廊模式
- DALI dimming, PUSH dimming, Corridor mode
- 含DALI-2协议251, 252及253
- DALI-2 Parts 251, 252, 253
- 调光范围: 1%-100%
- Dimming range: 1%-100%
- 拨码调节输出电流, 共16个电流档位
- Output current adjust via DIP-switch, 16 current steps
- 符合ZHAGA协议
- ZHAGA protocol
- 效率>95%; 功率因数>0.95
- Efficiency>95%; Power Factor>0.95
- 适用于应急照明, 符合EN 50172
- Suitable for emergency lighting acc. to EN 50172
- 5年质保
- 5 years warranty
- Ta, Tc: 60°C/ 80°C
- Ta, Tc: 60°C/ 80°C

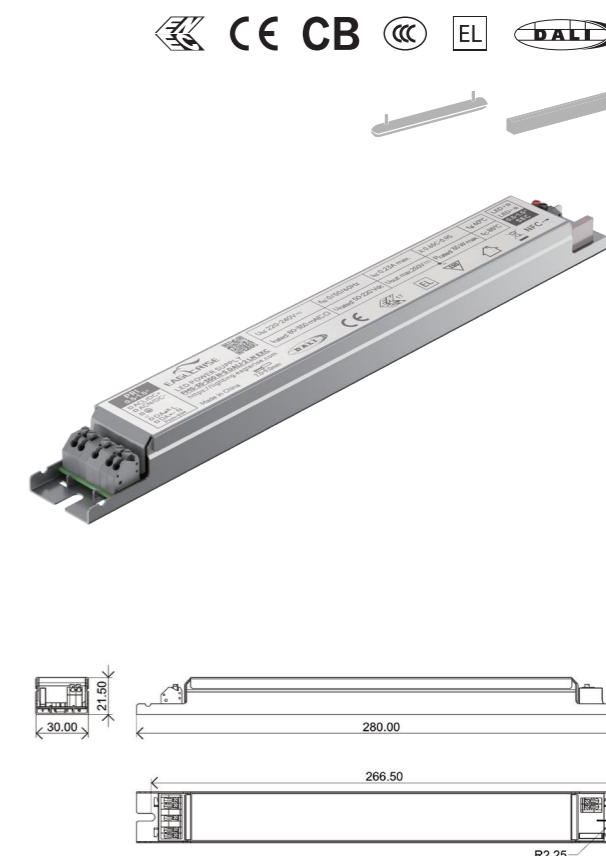


Model 型号	Power 功率	Input Voltage 输入电压	Output Current 输出电流	Output Voltage 输出电压	Efficiency 效率	Power Factor 功率因数	Size (L*W*H) 尺寸
FMS-35-350 N-S DALI-2 LD	35W	220-240VAC	80-350mA	50-220V	92%	0.95	280*30*21mm
FMS-75-500 N-S DALI-2 LD	75W	220-240VAC	150-500mA	50-220V	93%	0.95	280*30*21mm
FMS-100-1050 N-S DALI-2 LD	100W	220-240VAC	300-1050mA	50-220V	94%	0.95	280*30*21mm
FMS-150-1050 N-S DALI-2 LD	150W	220-240VAC	300-1050mA	50-220V	95%	0.95	280*30*21mm

线性 - 非隔离智能系列

DALI-2+NFC

- 可适配I/ II类灯具
- For luminaire of protection class I and II
- 非隔离/内置式
- Non Isolated/ Built-in
- 输入电压 220-240VAC
- Input voltage: 220-240VAC
- 多重保护: 短路保护、过载保护、过压保护、过温保护
- Protections: SCP/ OLP/ OVP/ OTP
- 支持DALI、PUSH调光, 走廊模式
- DALI dimming, PUSH dimming, Corridor mode
- 含DALI-2协议251, 252及253
- DALI-2 Parts 251, 252, 253
- 调光范围: 1%-100%
- Dimming range: 1%-100%
- NFC调节输出电流
- Output current adjust via NFC
- 符合ZHAGA协议
- ZHAGA protocol
- 效率>95%; 功率因数>0.95
- Efficiency>95%; Power Factor>0.95
- 适用于应急照明, 符合EN 50172
- Suitable for emergency lighting acc. to EN 50172
- 5年质保
- 5 years warranty
- Ta, Tc: 60°C/ 80°C
- Ta, Tc: 60°C/ 80°C



Model 型号	Power 功率	Input Voltage 输入电压	Output Current 输出电流	Output Voltage 输出电压	Efficiency 效率	Power Factor 功率因数	Size (L*W*H) 尺寸
FMS-35-350 N-S DALI-2 LN EXC	35W	220-240VAC	80-350mA	50-220V	92%	0.95	280*30*21mm
FMS-75-500 N-S DALI-2 LN EXC	75W	220-240VAC	150-500mA	50-220V	93%	0.95	280*30*21mm
FMS-100-1050 N-S DALI-2 LN EXC	100W	220-240VAC	300-1050mA	50-220V	94%	0.95	280*30*21mm
FMS-150-1050 N-S DALI-2 LN EXC	150W	220-240VAC	300-1050mA	50-220V	95%	0.95	280*30*21mm

线性 - 非隔离系列

ON/OFF (拨码)

- 可适配/ II类灯具
- For luminaire of protection class I and II
- 非隔离/内置式
- Non Isolated/ Built-in
- 输入电压 220-240VAC
- Input voltage: 220-240VAC
- 多重保护: 短路保护、过载保护、过压保护、过温保护
- Protections: SCP/ OLP/ OVP/ OTP
- 拨码调节电流
- Output current adjusted via DIP-switch
- 功率因数: 0.95 (Typ.)
- Power Factor: 0.95(Typ.)
- 效率>94%
- Efficiency> 94%
- IP20
- IP20
- 适用于应急照明, 符合EN 50172
- Suitable for emergency lighting acc. to EN 50172
- 5年质保
- 5 years warranty
- Ta, Tc: 50°C/ 85°C
- Ta, Tc: 50°C/ 85°C

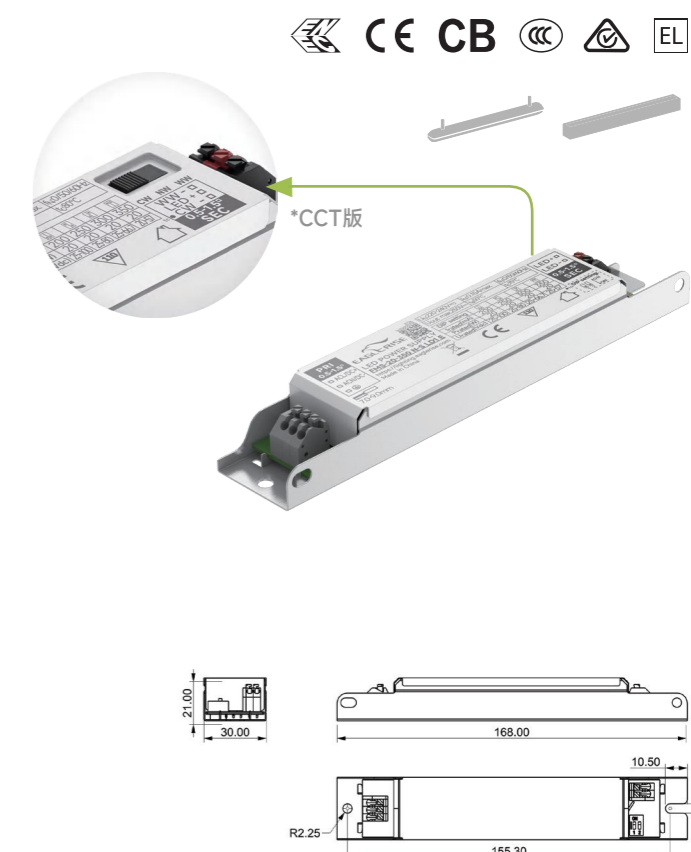


Model 型号	Power 功率	Input Voltage 输入电压	Output Current 输出电流	Output Voltage 输出电压	Efficiency 效率	Power Factor 功率因数	Size (L*W*H) 尺寸
FMS-20-350 N-S LD2 E	20W	220-240VAC	200-350mA	25-100V	86%	0.95	168*30*21mm
FMS-40-350 N-S LD2 E	40W	220-240VAC	200-350mA	40-200V	90%	0.95	168*30*21mm
FMS-60-350 N-S LD2 E	60W	220-240VAC	200-350mA	70-200V	92%	0.95	190*30*21mm
FMS-80-350 N-S LD2 E	80W	220-240VAC	200-350mA	40-220V	94%	0.95	210*30*21mm

线性 - 非隔离系列

ON/OFF (拨码)

- 可适配/ II类灯具
- For luminaire of protection class I and II
- 非隔离/内置式
- Non Isolated/ Built-in
- 输入电压 220-240VAC
- Input voltage: 220-240VAC
- 多重保护: 短路保护、过载保护、过压保护、过温保护
- Protections: SCP/ OLP/ OVP/ OTP
- 拨码调节输出电流, 共4个电流档
- Output current adjusted via DIP-switch, 4 current steps
- 效率>95%
- Efficiency> 95%
- 功率因数>0.95
- Power Factor> 0.95
- 适用于应急照明, 符合EN 50172
- Suitable for emergency lighting acc. to EN 50172
- 5年质保
- 5 years warranty
- Ta, Tc: 60°C/ 80°C
- Ta, Tc: 60°C/ 80°C
- CCT版: 拨码调节色温
- CCT version: flexible CCT setting via 3-way DIP-switch



Model 型号	Power 功率	Input Voltage 输入电压	Output Current 输出电流	Output Voltage 输出电压	Efficiency 效率	Power Factor 功率因数	Size (L*W*H) 尺寸
FMS-20-350 N-S LD1 E	20W	220-240VAC	200-350mA	25-100V	86%	0.90	168*30*21mm
FMS-20-350 N-S CCT LD EXC	20W	220-240VAC	200-350mA	25-100V	86%	0.90	168*30*21mm
FMS-40-350 N-S LD1 E	40W	220-240VAC	200-350mA	40-200V	90%	0.90	168*30*21mm
FMS-40-350 N-S CCT LD EXC	40W	220-240VAC	200-350mA	40-200V	90%	0.95	168*30*21mm
FMS-60-350 N-S LD1 E	60W	220-240VAC	200-350mA	70-200V	92%	0.95	190*30*21mm
FMS-60-350 N-S CCT LD EXC	60W	220-240VAC	200-350mA	70-200V	92%	0.95	190*30*21mm
FMS-80-350 N-S LD1 E	80W	220-240VAC	200-350mA	40-220V	94%	0.95	210*30*21mm
FMS-80-350 N-S CCT LD EXC	80W	220-240VAC	200-350mA	40-220V	94%	0.95	210*30*21mm
FMS-80-550 N-S LD1 E	80W	220-240VAC	350-550mA	40-216V	93%	0.95	210*30*21mm
FMS-80-550 N-S CCT LD EXC	80W	220-240VAC	350-550mA	40-216V	93%	0.95	210*30*21mm
FMS-100-500 N-S LD1 E	100W	220-240VAC	350-500mA	40-220V	95%	0.95	280*30*21mm
FMS-100-500 N-S CCT LD EXC	100W	220-240VAC	350-500mA	40-220V	95%	0.95	280*30*21mm
FMS-150-700 N-S LD1 E	150W	220-240VAC	550-700mA	40-220V	95%	0.95	280*30*21mm
FMS-150-700 N-S CCT LD EXC	150W	220-240VAC	550-700mA	40-220V	95%	0.95	280*30*21mm

线性 - 隔离智能系列

DALI-2+0-10V

· 可适配I/ II类灯具

· For luminaire of protection class I and II

· 隔离/内置式/独立式 (带侧盖)

· Isolated/ SELV/ Built-in/ Independent (with side caps)

· 输入电压 120-277VAC

· Input voltage: 120-277VAC

· 多重保护: 短路保护、过载保护、过压保护、过温保护

· Protections: SCP/ OLP/ OVP/ OTP

· 拨码调节输出电流

· Output current adjusted via DIP-switch

· 支持DALI-2、PUSH、0-10V、Rx、PWM调光

· Support DALI-2, PUSH, 0-10V, Rx, PWM dimming

· 含DALI-2协议251, 252及253

· DALI-2 Parts 251, 252, 253

· 调光范围: 1%-100%

· Dimming range: 1%-100%

· 符合ZHAGA协议

· ZHAGA protocol

· EOFi=15%

· EOFi=15%

· 适用于应急照明, 符合EN 50172

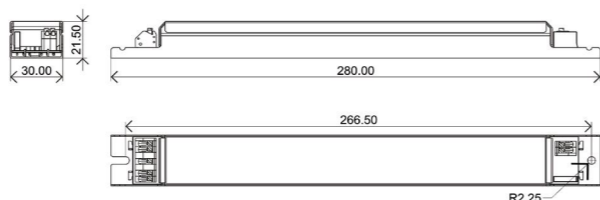
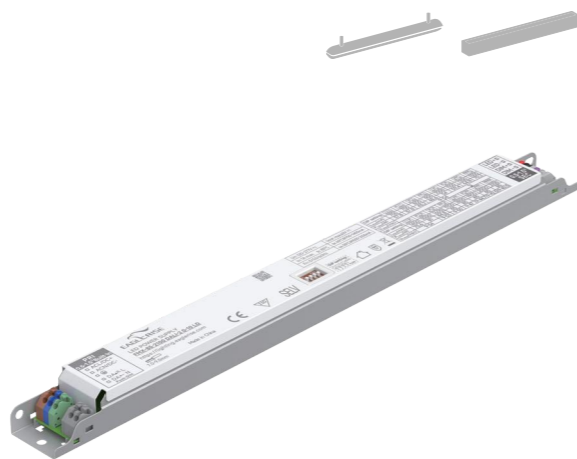
· Suitable for emergency lighting acc. to EN 50172

· 5年质保

· 5 years warranty

· Ta, Tc: 60°C/ 85°C

· Ta, Tc: 60°C/ 85°C



线性 - 隔离智能系列

DALI-2+拨码

· 可适配I/ II类灯具

· For luminaire of protection class I and II

· 隔离/内置式/独立式 (LD款带侧盖)

· Isolated/ SELV/ Built-in/ Independent (LD version with side caps)

· 输入电压 220-240VAC

· Input voltage: 220-240VAC

· 多重保护: 短路保护、过载保护、过压保护、过温保护

· Protections: SCP/ OLP/ OVP/ OTP

· 支持DALI、PUSH调光, 走廊模式

· DALI dimming, PUSH dimming, Corridor mode

· 含DALI-2协议251, 252及253

· DALI-2 Parts 251, 252, 253

· 调光范围: 1%-100%

· Dimming range: 1%-100%

· 符合ZHAGA协议

· ZHAGA protocol

· 效率>90%; 功率因数>0.95

· Efficiency>90%; Power Factor>0.95

· 适用于应急照明, 符合EN 50172

· Suitable for emergency lighting acc. to EN 50172

· 5年质保

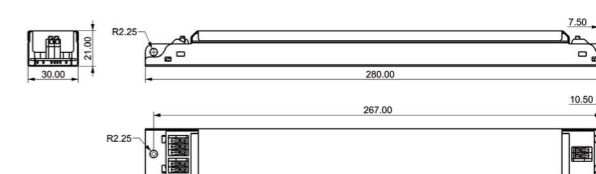
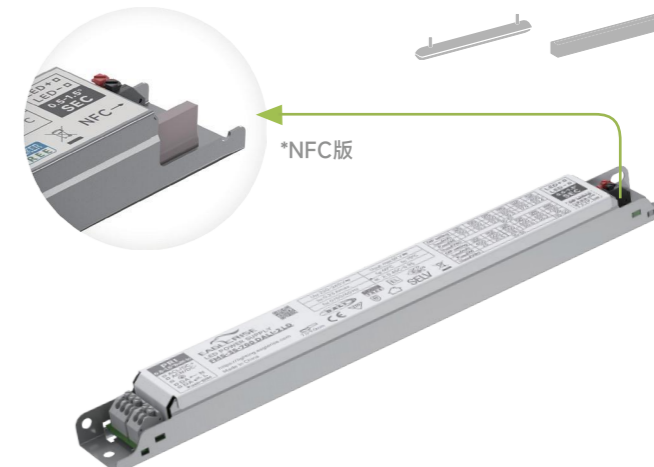
· 5 years warranty

· Ta, Tc: 60°C/ 85°C

· Ta, Tc: 60°C/ 85°C

· LD款: 拨码调节输出电流, 共16个电流档位; LN款: NFC调节输出电流

· LD: Output current adjusted via DIP-switch, 16 current steps; LN: Output current adjusted via NFC



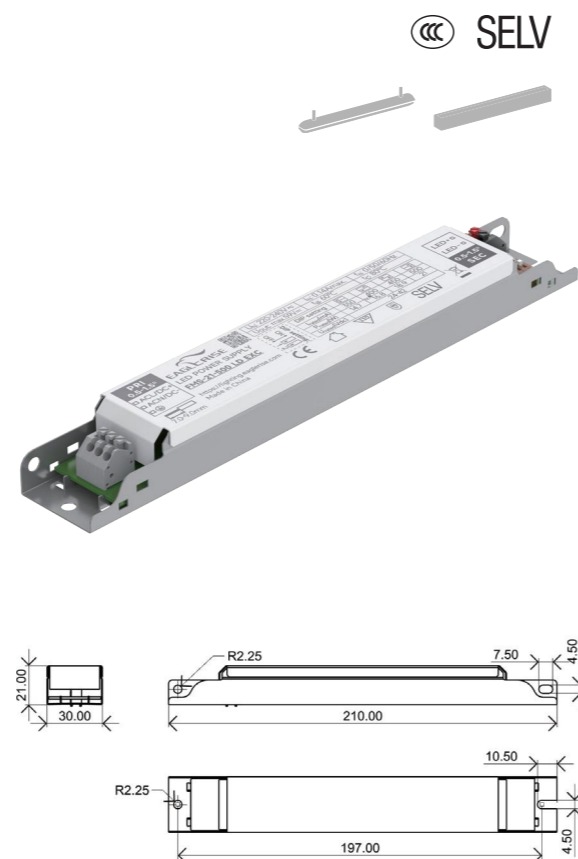
Model 型号	Power 功率	Input Voltage 输入电压	Output Current 输出电流	Output Voltage 输出电压	Efficiency 效率	Power Factor 功率因数	Size (L*W*H) 尺寸
FMX-35-700 DALI-2 0-10 LD	35W	120-277VAC	150-700mA	9-54V	90%	0.95	280*30*21mm
FMX-50-1050 DALI-2 0-10 LD	50W	120-277VAC	300-1050mA	9-54V	90%	0.95	280*30*21mm
FMX-85-1800 DALI-2 0-10 LD	85W	120-277VAC	700-2100mA	9-54V	90%	0.95	360*30*21mm

Model 型号	Power 功率	Input Voltage 输入电压	Output Current 输出电流	Output Voltage 输出电压	Efficiency 效率	Power Factor 功率因数	Size (L*W*H) 尺寸
FMS-35-700 DALI-2 LD	35W	220-240VAC	100-700mA	15-51V	90%	0.95	280*30*21mm
FMS-35-700 DALI-2 LN	35W	220-240VAC	150-700mA	15-51V	90%	0.95	280*30*21mm
FMS-50-1050 DALI-2 LD	50W	220-240VAC	350-1050mA	15-51V	90%	0.95	280*30*21mm
FMS-50-1050 DALI-2 LN	50W	220-240VAC	350-1050mA	15-51V	90%	0.95	280*30*21mm
FMS-75-1800 DALI-2 LD	75W	220-240VAC	1050-1800mA	15-51V	90%	0.95	280*30*21mm
FMS-75-1800 DALI-2 LN	75W	220-240VAC	1050-1800mA	15-51V	90%	0.95	280*30*21mm

线性 - 隔离系列

ON/OFF (拨码)

- 可适配I/ II类灯具
- For luminaire of protection class I and II
- 隔离/内置式/独立式 (带侧盖)
- Isolated/ SELV/ Built-in/ Independent (with side caps)
- 输入电压 220-240VAC
- Input voltage: 220-240VAC
- 多重保护: 短路保护、过载保护、过压保护、过温保护
- Protections: SCP/ OLP/ OVP/ OTP
- 拨码调节输出电流, 共4个电流档
- Output current adjusted via DIP-switch, 4 current steps
- 效率>91%; 功率因数>0.95
- Efficiency>91%; Power Factor>0.95
- 适用于应急照明, 符合EN 50172
- Suitable for emergency lighting acc. to EN 50172
- 5年质保
- 5 years warranty
- Ta, Tc: 60°C/ 80°C
- Ta, Tc: 60°C/ 80°C

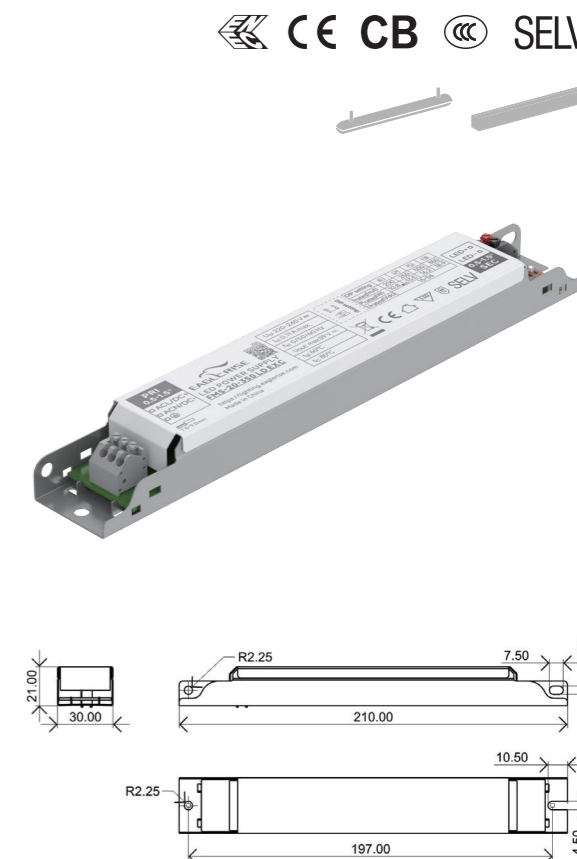


Model 型号	Power 功率	Input Voltage 输入电压	Output Current 输出电流	Output Voltage 输出电压	Efficiency 效率	Power Factor 功率因数	Size (L*W*H) 尺寸
FMS-21-500 LD EXC	21W	220-240VAC	350-500mA	24-42V	88%	0.95	210*30*21mm
FMS-30-750 LD EXC	30W	220-240VAC	600-750mA	24-42V	90%	0.95	210*30*21mm
FMS-42-1050 LD EXC	42W	220-240VAC	700-1050mA	24-42V	90%	0.95	210*30*21mm
FMS-60-1500 LD1 EXC	60W	220-240VAC	1150-1500mA	24-42V	90%	0.95	280*30*21mm
FMS-80-2000 LD1 EXC	80W	220-240VAC	1500-2000mA	24-42V	91%	0.95	280*30*21mm

线性 - 隔离系列

ON/OFF (拨码)

- 可适配I/ II类灯具
- For luminaire of protection class I and II
- 隔离/内置式/独立式 (带侧盖)
- Isolated/ SELV/ Built-in/ Independent (with side caps)
- 输入电压 220-240VAC
- Input voltage: 220-240VAC
- 多重保护: 短路保护、过载保护、过压保护、过温保护
- Protections: SCP/ OLP/ OVP/ OTP
- 拨码调节输出电流, 共4个电流档
- Output current adjusted via DIP-switch, 4 current steps
- 效率>91%; 功率因数>0.95
- Efficiency>91%; Power Factor>0.95
- 适用于应急照明, 符合EN 50172
- Suitable for emergency lighting acc. to EN 50172
- 5年质保
- 5 years warranty
- Ta, Tc: 60°C/ 80°C
- Ta, Tc: 60°C/ 80°C

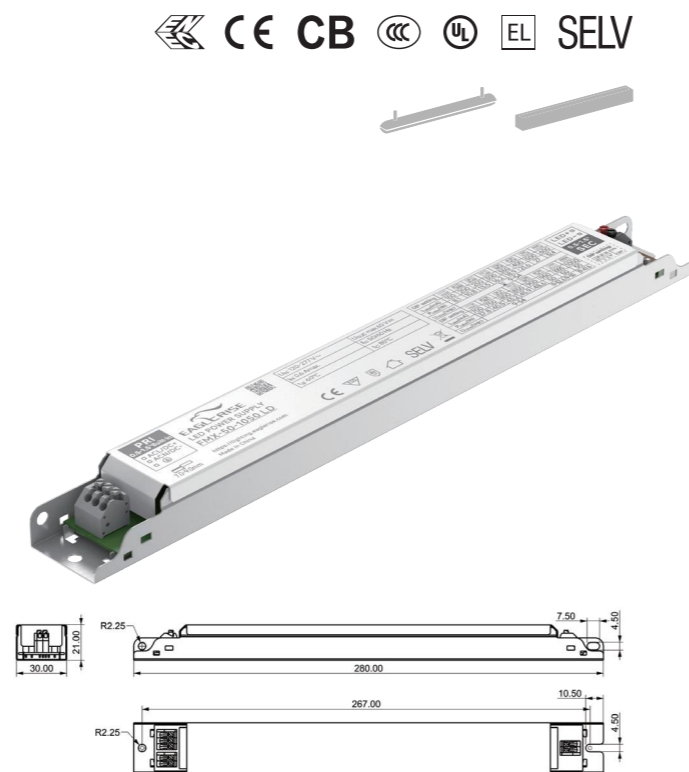


Model 型号	Power 功率	Input Voltage 输入电压	Output Current 输出电流	Output Voltage 输出电压	Efficiency 效率	Power Factor 功率因数	Size (L*W*H) 尺寸
FMS-20-350 LD EXC	20W	220-240VAC	200-350mA	15-51V	88%	0.95	210*30*21mm
FMS-24-500 LD EXC	24W	220-240VAC	350-500mA	15-51V	88%	0.95	210*30*21mm
FMS-35-650 LD EXC	35W	220-240VAC	500-650mA	15-51V	90%	0.95	210*30*21mm
FMS-40-1050 LD EXC	40W	220-240VAC	700-1050mA	15-51V	90%	0.95	210*30*21mm
FMS-60-1200 LD EXC	60W	220-240VAC	850-1200mA	15-51V	91%	0.95	280*30*21mm
FMS-60-1500 LD EXC	60W	220-240VAC	1150-1500mA	15-51V	90%	0.95	280*30*21mm
FMS-75-1500 LD EXC	75W	220-240VAC	1150-1500mA	15-51V	91%	0.95	280*30*21mm
FMS-80-2000 LD EXC	80W	220-240VAC	1300-2000mA	15-51V	91%	0.95	280*30*21mm

线性 - 隔离系列

ON/OFF (拨码)

- 可适配/ II类灯具
- For luminaire of protection class I and II
- 隔离/内置式/独立式 (带侧盖)
- Isolated/ SELV/ Built-in/ Independent (with side caps)
- 输入电压 120-277VAC
- Input voltage: 120-277VAC
- 多重保护: 短路保护、过载保护、过压保护、过温保护
- Protections: SCP/ OLP/ OVP/ OTP
- 拨码调节输出电流
- Output current adjusted via DIP-switch
- 效率: 90%; 功率因数: 0.95
- Efficiency: 90%; Power Factor: 0.95
- 适用于应急照明, 符合EN 50172
- Suitable for emergency lighting acc. to EN 50172
- EOFI=15%
- EOFI=15%
- 5年质保
- 5 years warranty
- Ta, Tc: 60°C/ 80°C
- Ta, Tc: 60°C/ 80°C



Model 型号	Power 功率	Input Voltage 输入电压	Output Current 输出电流	Output Voltage 输出电压	Efficiency 效率	Power Factor 功率因数	Size (L*W*H) 尺寸
FMX-50-1050 LD	50W	120-277VAC	150-1050mA	9-54V	90%	0.95	280*30*21mm
FMX-85-2100 LD	85W	120-277VAC	700-2100mA	9-54V	90%	0.95	280*30*21mm

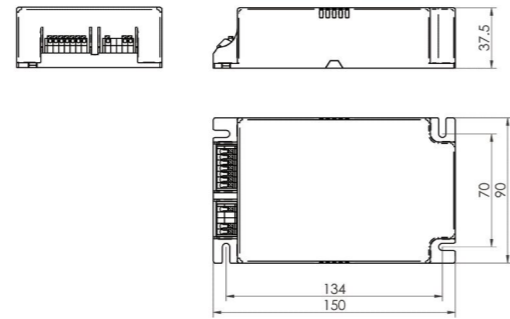
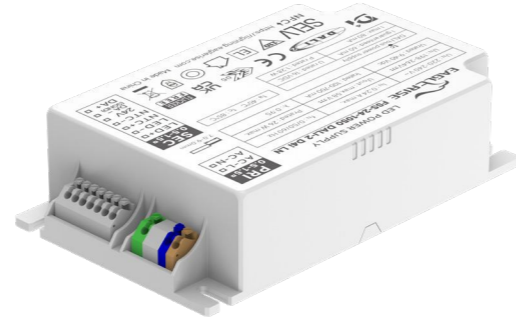
紧凑
系列LED DRIVER
COMPACT SERIES

应用场景:
吸顶灯
面板灯
筒灯及射灯

紧凑型 - 智能系列

D4i

- 可适配II类灯具
- For luminaire of protection class I and II
- 隔离/内置式/独立式 (带侧盖)
- Isolated/ SELV/ Built-in/ Independent (with side caps)
- 输入电压 220-240VAC
- Input voltage: 220-240VAC
- 多重保护: 短路保护、过载保护、过压保护、过温保护
- Protections: SCP/ OLP/ OVP/ OTP
- 含DALI-2协议250、251、252及253
- DALI-2 Parts 250, 251, 252 and 253
- 功率因数>0.95
- Power Factor > 0.95
- 效率>93%
- Efficiency > 93%
- 适用于应急照明, 符合EN 50172
- Suitable for emergency lighting acc. to EN 50172
- 5年质保
- 5 years warranty
- Ta, Tc: 60°C/ 85°C
- Ta, Tc: 60°C/ 85°C

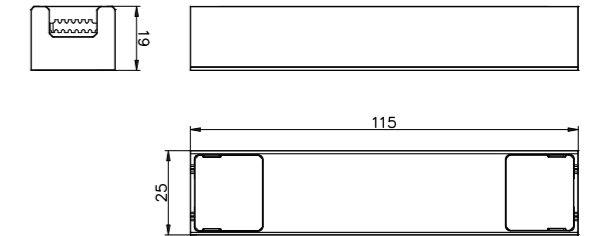
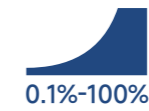


Model 型号	Power 功率	Input Voltage 输入电压	Output Current 输出电流	Output Voltage 输出电压	Efficiency 效率	Power Factor 功率因数	Size (L*W*H) 尺寸
FSS-24-1050 DALI-2 D4i LN	24W	220-240VAC	200-1050mA	19-39V	86%	0.95	123*77*31mm
FSS-40-1050 DALI-2 D4i LN	40W	220-240VAC	200-1050mA	22-77V	91%	0.95	123*77*31mm
FSS-75-1050 DALI-2 D4i LN	75W	220-240VAC	200-1050mA	25-107V	91%	0.95	133*77*31mm
FSS-110-1050 DALI-2 D4i LN	110W	220-240VAC	200-1050mA	48-157V	92%	0.95	150*90*37.5mm
FSS-200-1050 DALI-2 D4i LN	200W	220-240VAC	200-1050mA	169-355V	93%	0.95	170*100*40mm

紧凑型 - 智能系列

DALI-2 千一调光

- 可适配II类灯具
- For luminaire of protection class II
- 隔离/内置式/独立式 (带侧盖)
- Isolated/ SELV/ Built-in/ Independent (with side caps)
- 输入电压 220-240VAC
- Input voltage: 220-240VAC
- 多重保护: 短路保护、过载保护、过压保护、过温保护
- Protections: SCP/ OLP/ OVP/ OTP
- 可过30mm安装孔
- Fits through a 30mm aperture
- 含DALI-2协议251、252及253
- DALI-2 Parts 251, 252, 253
- 支持DALI-2、PUSH调光
- Support DALI-2, PUSH dimming
- 适用于应急照明, 符合EN 50172
- Suitable for emergency lighting acc. to EN 50172
- 功率因数>0.9
- Power Factor > 0.9
- NFC调节输出电流
- Output current adjust via NFC
- 5年质保
- 5 years warranty
- Ta, Tc: 45°C/ 75°C
- Ta, Tc: 45°C/ 75°C

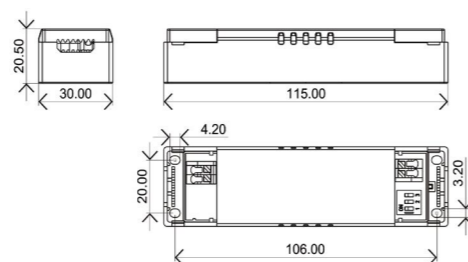
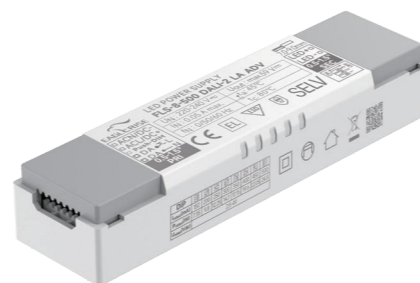


Model 型号	Power 功率	Input Voltage 输入电压	Output Current 输出电流	Output Voltage 输出电压	Efficiency 效率	Power Factor 功率因数	Size (L*W*H) 尺寸
FLS-8-700 DALI-2 LN ADV S	8W	220-240VAC	150-700mA	6-42V	84%	0.9	115*25*19mm

紧凑型 - 智能系列

DALI-2

- 可适配II类灯具
- For luminaire of protection class II
- 隔离/安全低电压/独立式
- Isolated/ SELV/ Independent
- 输入电压 220-240VAC
- Input voltage: 220-240VAC
- 多重保护: 短路保护、过载保护、过压保护、过温保护
- Protections: SCP/ OLP/ OVP/ OTP
- 含DALI-2协议251, 252及253
- DALI-2 Parts 251, 252, 253
- 支持DALI-2、PUSH调光
- Support DALI-2, PUSH dimming
- 功率因数>0.95
- Power Factor > 0.95
- 效率>85%
- Efficiency > 85%
- 适用于应急照明, 符合EN 50172
- Suitable for emergency lighting acc. to EN 50172
- 5年质保
- 5 years warranty
- Ta, Tc: 45°C/ 80°C
- Ta, Tc: 45°C/ 80°C

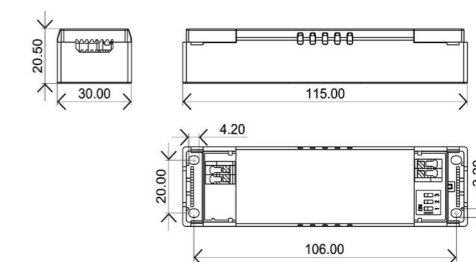
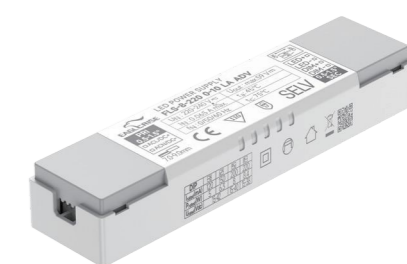


Model 型号	Power 功率	Input Voltage 输入电压	Output Current 输出电流	Output Voltage 输出电压	Efficiency 效率	Power Factor 功率因数	Size (L*W*H) 尺寸
FLS-8-500 DALI-2 LA ADV	8W	220-240VAC	150-500mA	2.5-49V	84%	0.95	115*30*20.5mm
FLS-12-700 DALI-2 LA ADV	12W	220-240VAC	500-700mA	2.5-24V	84%	0.95	115*30*20.5mm
FLS-16-450 DALI-2 LA ADV	16W	220-240VAC	100-450mA	2.5-42V	85%	0.95	115*30*20.5mm

紧凑型 - 智能系列

0-10V

- 可适配II类灯具
- For luminaire of protection class II
- 隔离/安全低电压/独立式
- Isolated/ SELV/ Independent
- 输入电压 220-240VAC
- Input voltage: 220-240VAC
- 多重保护: 短路保护、过载保护、过压保护、过温保护
- Protections: SCP/ OLP/ OVP/ OTP
- 支持0-10V、Rx、PWM调光
- Support 0-10V, Rx, PWM dimming
- 功率因数>0.95
- Power Factor > 0.95
- 效率>83%
- Efficiency > 83%
- 5年质保
- 5 years warranty
- Ta, Tc: 45°C/ 75°C
- Ta, Tc: 45°C/ 75°C



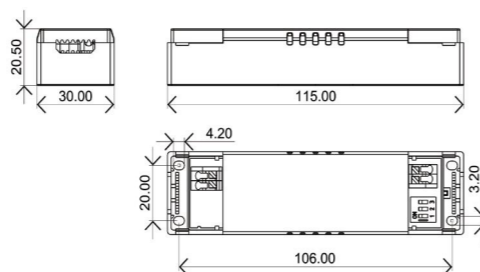
Model 型号	Power 功率	Input Voltage 输入电压	Output Current 输出电流	Output Voltage 输出电压	Efficiency 效率	Power Factor 功率因数	Size (L*W*H) 尺寸
FLS-8-220 0-10 LA ADV	8W	220-240VAC	120-220mA	15-42V	83%	0.95	115*30*20.5mm
FLS-12-330 0-10 LA ADV	12W	220-240VAC	250-330mA	15-42V	84%	0.95	115*30*20.5mm
FLS-12-350 0-10 LA ADV	12W	220-240VAC	120-350mA	15-42V	84%	0.95	115*30*20.5mm

紧凑型 - 智能系列

可控硅

- 可适配II类灯具
- For luminaire of protection class II
- 隔离/安全低电压/独立式
- Isolated/ SELV/ Independent
- 输入电压 220-240VAC
- Input voltage: 220-240VAC
- 多重保护：短路保护、过载保护、过压保护、过温保护
- Protections: SCP/ OLP/ OVP/ OTP
- 功率因数>0.95
- Power Factor> 0.95
- 效率>83%
- Efficiency> 83%
- 5年质保
- 5 years warranty
- 兼容前后切调光系统
- Dimmable via leading edge and trailing edge phase dimmers
- Ta, Tc: 50°C/ 85°C
- Ta, Tc: 50°C/ 85°C

CE CB CCC SELV



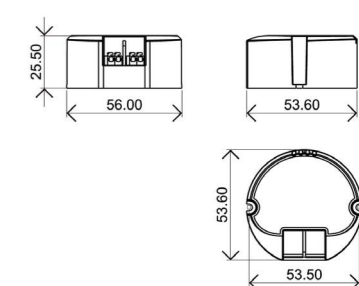
Model 型号	Power 功率	Input Voltage 输入电压	Output Current 输出电流	Output Voltage 输出电压	Efficiency 效率	Power Factor 功率因数	Size (L*W*H) 尺寸
LS-8-120 TRIAC LI EXC	8W	220-240VAC	120mA	27-40V	75%	0.9	115*30*20.5mm
LS-8-200 TRIAC LI EXC	8W	220-240VAC	200mA	27-40V	80%	0.9	115*30*20.5mm
LS-8-220 TRIAC LI EXC	8W	220-240VAC	220mA	27-40V	83%	0.9	115*30*20.5mm
LS-12-250 TRIAC LI EXC	12W	220-240VAC	250mA	27-40V	83%	0.95	115*30*20.5mm
LS-12-300 TRIAC LI EXC	12W	220-240VAC	300mA	27-40V	83%	0.95	115*30*20.5mm
LS-12-350 TRIAC LI EXC	12W	220-240VAC	350mA	27-40V	83%	0.95	115*30*20.5mm

紧凑型 - 智能系列

可控硅

- 可适配II类灯具
- For luminaire of protection class II
- 隔离/安全低电压/独立式
- Isolated/ SELV/ Independent
- 输入电压 220-240VAC
- Input voltage: 220-240VAC
- 多重保护：短路保护、过载保护、过压保护、过温保护
- Protections: SCP/ OLP/ OVP/ OTP
- 功率因数>0.95
- Power Factor> 0.95
- 效率>85%
- Efficiency> 85%
- 5年质保
- 5 years warranty
- 兼容前后切调光系统
- Dimmable via leading edge and trailing edge phase dimmers
- Ta, Tc: 60°C/ 90°C
- Ta, Tc: 60°C/ 90°C

CE CB CCC SELV



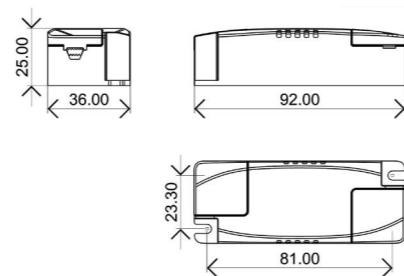
Model 型号	Power 功率	Input Voltage 输入电压	Output Current 输出电流	Output Voltage 输出电压	Efficiency 效率	Power Factor 功率因数	Size (L*W*H) 尺寸
CS-8-100 TRIAC LI	8W	220-240VAC	100mA	28-40V	78%	0.90	Φ56*25.5mm
CS-8-120 TRIAC LI	8W	220-240VAC	120mA	28-40V	80%	0.90	Φ56*25.5mm
CS-8-150 TRIAC LI	8W	220-240VAC	150mA	28-40V	80%	0.95	Φ56*25.5mm
CS-8-180 TRIAC LI	8W	220-240VAC	180mA	28-40V	80%	0.95	Φ56*25.5mm
CS-8-200 TRIAC LI	8W	220-240VAC	200mA	28-40V	80%	0.95	Φ56*25.5mm
CS-8-220 TRIAC LI	8W	220-240VAC	220mA	28-40V	80%	0.95	Φ56*25.5mm
CS-15-250 TRIAC LI	15W	220-240VAC	250mA	28-40V	82%	0.95	Φ65*25mm
CS-15-280 TRIAC LI	15W	220-240VAC	280mA	28-40V	82%	0.95	Φ65*25mm
CS-15-300 TRIAC LI	15W	220-240VAC	300mA	28-40V	82%	0.95	Φ65*25mm
CS-15-350 TRIAC LI	15W	220-240VAC	350mA	28-40V	82%	0.95	Φ65*25mm
CS-22-400...550 TRIAC LI	22W	220-240VAC	400/450/500/550mA	28-40V	85%	0.95	Φ65*25mm
CS-36-600...900 TRIAC LI	36W	220-240VAC	600...900mA(每50mA一档)	28-40V	85%	0.95	Φ75*26mm

紧凑型 - 智能系列

可控硅

- 可适配II类灯具
- For luminaire of protection class II
- 隔离/安全低电压/独立式
- Isolated/ SELV/ Independent
- 输入电压 220-240VAC
- Input voltage: 220-240VAC
- 多重保护：短路保护、过载保护、过压保护、过温保护
- Protections: SCP/ OLP/ OVP/ OTP
- 效率>80%; 功率因数>0.95
- Efficiency> 80%; Power Factor> 0.95
- 兼容前后切调光系统
- Dimmable via leading edge and trailing edge phase dimmers
- 5年质保
- 5 years warranty
- Ta, Tc: 50°C/ 85°C
- Ta, Tc: 50°C/ 85°C

CE CB CCC SAA SELV



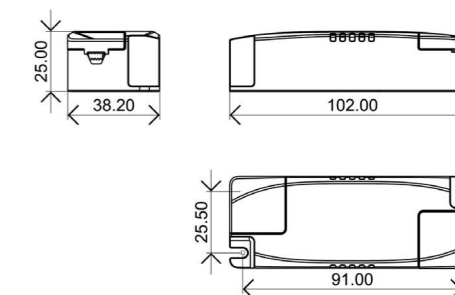
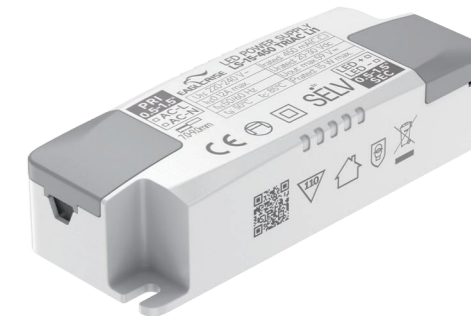
Model 型号	Power 功率	Input Voltage 输入电压	Output Current 输出电流	Output Voltage 输出电压	Efficiency 效率	Power Factor 功率因数	Size (L*W*H) 尺寸
LS-8-100 TRIAC LI1	8W	220-240VAC	100mA	28-40V	78%	0.90	92*36*25mm
LS-8-120 TRIAC LI1	8W	220-240VAC	120mA	28-40V	80%	0.90	92*36*25mm
LS-8-150 TRIAC LI1	8W	220-240VAC	150mA	28-40V	80%	0.95	92*36*25mm
LS-8-180 TRIAC LI1	8W	220-240VAC	180mA	28-40V	80%	0.95	92*36*25mm
LS-8-200 TRIAC LI1	8W	220-240VAC	200mA	28-40V	80%	0.95	92*36*25mm
LS-8-220 TRIAC LI1	8W	220-240VAC	220mA	28-40V	80%	0.95	92*36*25mm
LS-8-250 TRIAC LI1	8W	220-240VAC	250mA	18-24V	80%	0.95	92*36*25mm
LS-8-300 TRIAC LI1	8W	220-240VAC	300mA	18-24V	80%	0.95	92*36*25mm
LS-8-350 TRIAC LI1	8W	220-240VAC	350mA	18-24V	80%	0.95	92*36*25mm
LS-8-700 TRIAC LI1	8W	220-240VAC	700mA	8-11.4V	76%	0.95	92*36*25mm

紧凑型 - 智能系列

可控硅

- 可适配II类灯具
- For luminaire of protection class II
- 隔离/安全低电压/独立式
- Isolated/ SELV/ Independent
- 输入电压 220-240VAC
- Input voltage: 220-240VAC
- 多重保护：短路保护、过载保护、过压保护、过温保护
- Protections: SCP/ OLP/ OVP/ OTP
- 效率>85%; 功率因数>0.95
- Efficiency> 85%; Power Factor> 0.95
- 兼容前后切调光系统
- Dimmable via leading edge and trailing edge phase dimmers
- 5年质保
- 5 years warranty
- Ta, Tc: 50°C/ 85°C
- Ta, Tc: 50°C/ 85°C

CE CB CCC SELV

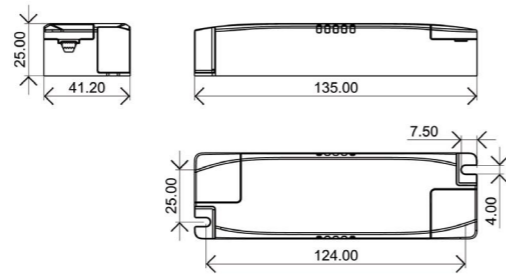


Model 型号	Power 功率	Input Voltage 输入电压	Output Current 输出电流	Output Voltage 输出电压	Efficiency 效率	Power Factor 功率因数	Size (L*W*H) 尺寸
LS-15-XXX TRIAC LI1	15W	220-240VAC	250/280/300/350mA	28-40V	82%	0.95	102*38.2*25mm
LS-15-400 TRIAC LI1	15W	220-240VAC	400mA	25-38V	82%	0.95	102*38.2*25mm
LS-15-450 TRIAC LI1	15W	220-240VAC	450mA	22-33V	82%	0.95	102*38.2*25mm
LS-15-500 TRIAC LI1	15W	220-240VAC	500mA	20-30V	82%	0.95	102*38.2*25mm
LS-15-550 TRIAC LI1	15W	220-240VAC	550mA	17-27V	82%	0.95	102*38.2*25mm
LS-15-600 TRIAC LI1	15W	220-240VAC	600mA	16-25V	82%	0.95	102*38.2*25mm
LS-15-650 TRIAC LI1	15W	220-240VAC	650mA	16-23V	82%	0.95	102*38.2*25mm
LS-15-700 TRIAC LI1	15W	220-240VAC	700mA	14-22V	82%	0.95	102*38.2*25mm
LS-20-300 TRIAC LI1	20W	220-240VAC	300mA	50-68V	85%	0.95	102*38.2*25mm
LS-20-350 TRIAC LI1	20W	220-240VAC	350mA	40-60V	85%	0.95	102*38.2*25mm
LS-20-400...500 TRIAC LI1	20W	220-240VAC	400/450/500mA	28-40V	85%	0.95	102*38.2*25mm
LS-20-550 TRIAC LI1	20W	220-240VAC	550mA	28-38V	85%	0.95	102*38.2*25mm
LS-20-600 TRIAC LI1	20W	220-240VAC	600mA	22-34V	85%	0.95	102*38.2*25mm
LS-20-650...700 TRIAC LI1	20W	220-240VAC	650/700mA	20-30V	85%	0.95	102*38.2*25mm

紧凑型 - 智能系列

可控硅

- 适配II类灯具
- For luminaire of protection class II
- 隔离/安全低电压/独立式
- Isolated/ SELV/ Independent
- 输入电压 220-240VAC
- Input voltage: 220-240VAC
- 多重保护: 短路保护、过载保护、过压保护、过温保护
- Protections: SCP/ OLP/ OVP/ OTP
- 效率>87%; 功率因数>0.95
- Efficiency> 87%; Power Factor> 0.95
- 兼容前后切调光系统
- Dimmable via leading edge and trailing edge phase dimmers
- 5年质保
- 5 years warranty
- Ta, Tc: 45C/ 85°C
- Ta, Tc: 45°C/ 85°C

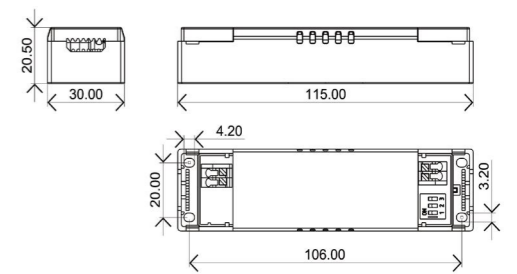
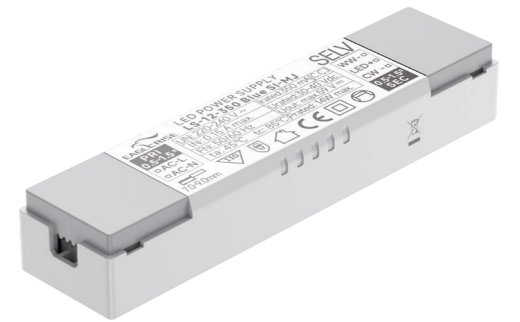


Model 型号	Power 功率	Input Voltage 输入电压	Output Current 输出电流	Output Voltage 输出电压	Efficiency 效率	Power Factor 功率因数	Size (L*W*H) 尺寸
LS-30-600 TRIAC LI1	30W	220-240VAC	600mA	35-50V	86%	0.95	135*41*25mm
LS-30-650 TRIAC LI1	30W	220-240VAC	650mA	30-45V	86%	0.95	135*41*25mm
LS-30-700 TRIAC LI1	30W	220-240VAC	700mA	28-42V	86%	0.95	135*41*25mm
LS-30-750 TRIAC LI1	30W	220-240VAC	750mA	28-40V	86%	0.95	135*41*25mm
LS-30-800 TRIAC LI1	30W	220-240VAC	800mA	28-40V	86%	0.95	135*41*25mm
LS-30-850 TRIAC LI1	30W	220-240VAC	850mA	24-37V	86%	0.95	135*41*25mm
LS-30-900 TRIAC LI1	30W	220-240VAC	900mA	22-34V	86%	0.95	135*41*25mm
LS-40-700 TRIAC LI1	40W	220-240VAC	700mA	36-54V	87%	0.95	135*41*25mm
LS-40-750 TRIAC LI1	40W	220-240VAC	750mA	35-53V	87%	0.95	135*41*25mm
LS-40-800 TRIAC LI1	40W	220-240VAC	800mA	33-50V	87%	0.95	135*41*25mm
LS-40-850 TRIAC LI1	40W	220-240VAC	850mA	31-47V	87%	0.95	135*41*25mm
LS-40-900 TRIAC LI1	40W	220-240VAC	900mA	27-42V	87%	0.95	135*41*25mm
LS-40-950 TRIAC LI1	40W	220-240VAC	950mA	28-40V	87%	0.95	135*41*25mm
LS-40-1000 TRIAC LI1	40W	220-240VAC	1000mA	28-40V	87%	0.95	135*41*25mm
LS-40-1050 TRIAC LI1	40W	220-240VAC	1050mA	28-40V	87%	0.95	135*41*25mm

紧凑型 - 智能系列

无线

- 适配II类灯具
- For luminaire of protection class II
- 隔离/安全低电压/独立式
- Isolated/ SELV/ Independent
- 输入电压 220-240VAC
- Input voltage: 220-240VAC
- 多重保护: 过载保护、过压保护、过温保护
- Protections: OLP/ OVP/ OTP
- 效率>85%; 功率因数>0.95
- Efficiency> 85%; Power Factor> 0.95
- IP20
- IP20
- 5年质保
- 5 years warranty
- Ta, Tc: 50C/ 85°C
- Ta, Tc: 50°C/ 85°C

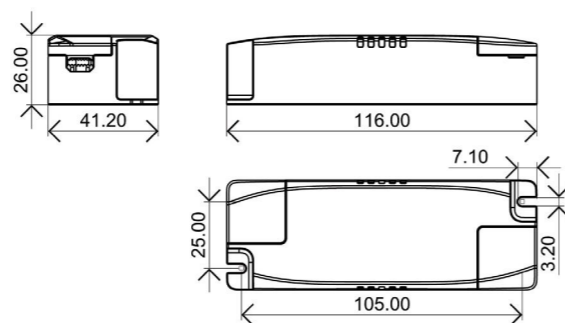


Model 型号	Power 功率	Input Voltage 输入电压	Output Current 输出电流	Output Voltage 输出电压	Efficiency 效率	Power Factor 功率因数	Size (L*W*H) 尺寸
LS-8-100 Blue SI-MJ	8W	220-240VAC	100mA	30-40V	75%	0.5	115*30*20.5mm
LS-8-120 Blue SI-MJ	8W	220-240VAC	120mA	30-40V	75%	0.5	115*30*20.5mm
LS-8-160 Blue SI-MJ	8W	220-240VAC	160mA	30-40V	80%	0.5	115*30*20.5mm
LS-8-180 Blue SI-MJ	8W	220-240VAC	180mA	30-40V	80%	0.5	115*30*20.5mm
LS-8-200 Blue SI-MJ	8W	220-240VAC	200mA	30-40V	80%	0.5	115*30*20.5mm
LS-8-235 Blue SI-MJ	8W	220-240VAC	235mA	30-40V	80%	0.5	115*30*20.5mm
LS-12-250 Blue SI-MJ	12W	220-240VAC	250mA	30-40V	84%	0.5	115*30*20.5mm
LS-12-280 Blue SI-MJ	12W	220-240VAC	280mA	30-40V	84%	0.5	115*30*20.5mm
LS-12-300 Blue SI-MJ	12W	220-240VAC	300mA	30-40V	84%	0.5	115*30*20.5mm
LS-12-350 Blue SI-MJ	12W	220-240VAC	350mA	30-40V	85%	0.5	115*30*20.5mm

紧凑型 高效 (拔码)

- 可适配II类灯具
- For luminaire of protection class II
- 隔离/安全低电压/独立式
- Isolated/ SELV/ Independent
- 输入电压 220-240VAC
- Input voltage: 220-240VAC
- 多重保护: 短路保护、过载保护、过压保护
- Protections: SCP/ OLP/ OVP
- 效率>94%; 功率因数>0.95
- Efficiency> 94%; Power Factor> 0.95
- 适用于应急照明, 符合EN 50172
- Suitable for emergency lighting acc. to EN 50172
- 5年质保
- 5 years warranty
- Ta, Tc: 45°C/ 80°C
- Ta, Tc: 45°C/ 80°C

CE CB CCC EL SELV

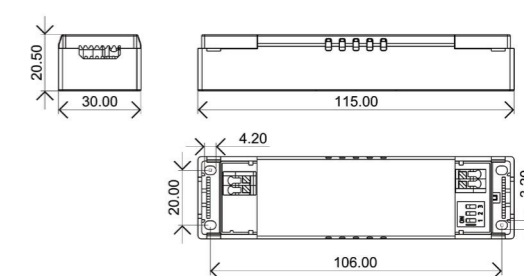
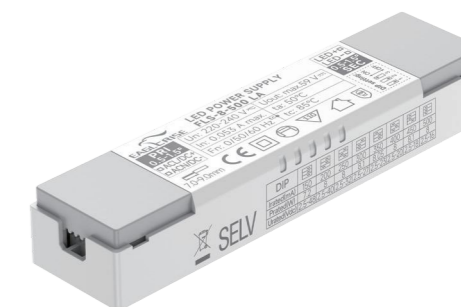


Model 型号	Power 功率	Input Voltage 输入电压	Output Current 输出电流	Output Voltage 输出电压	Efficiency 效率	Power Factor 功率因数	Size (L*W*H) 尺寸
FLS-15-350 LD1 ADV	15W	220-240VAC	200-350mA	28-40V	92%	0.95	116*41.2*26mm
FLS-21-500 LD1 ADV	21W	220-240VAC	350-500mA	28-40V	93%	0.95	116*41.2*26mm
FLS-30-750 LD1 ADV	30W	220-240VAC	600-750mA	28-40V	94%	0.95	116*41.2*26mm
FLS-40-1050 LD1 ADV	40W	220-240VAC	700-1050mA	28-40V	94%	0.95	116*41.2*26mm

紧凑型 细长型

- 可适配II类灯具
- For luminaire of protection class II
- 隔离/安全低电压/独立式
- Isolated/ SELV/ Independent
- 输入电压 220-240VAC
- Input voltage: 220-240VAC
- 多重保护: 短路保护、过载保护、过压保护、过温保护
- Protections: SCP/ OLP/ OVP/ OTP
- 效率>85%; 功率因数>0.95
- Efficiency> 85%; Power Factor> 0.95
- 适用于应急照明, 符合EN 50172
- Suitable for emergency lighting acc. to EN 50172
- 5年质保
- 5 years warranty
- IP20
- IP20
- Ta, Tc: 45°C/ 85°C
- Ta, Tc: 45°C/ 85°C

CE CB CCC EL SELV

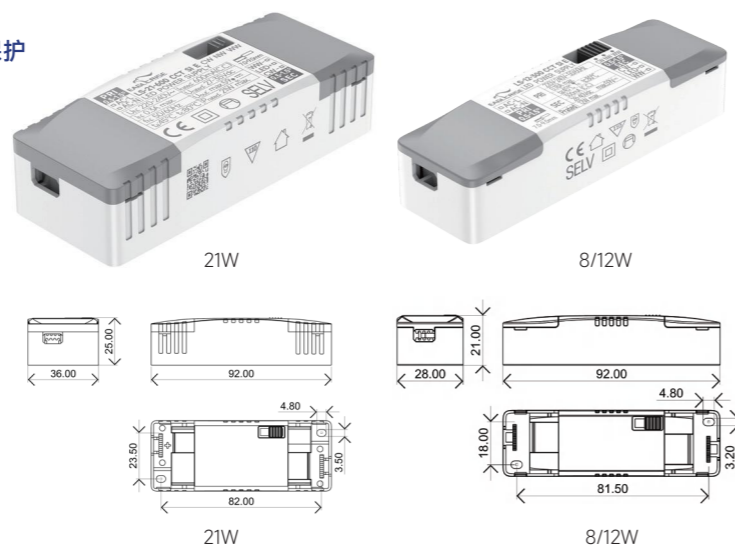


Model 型号	Power 功率	Input Voltage 输入电压	Output Current 输出电流	Output Voltage 输出电压	Efficiency 效率	Power Factor 功率因数	Size (L*W*H) 尺寸
FLS-8-500 LA	8W	220-240VAC	150-500mA	2.5-48V	82%	0.9	115*30*20.5mm
FLS-18-1050 LA	18W	220-240VAC	550-1050mA	2.5-33V	85%	0.95	115*30*20.5mm

紧凑型 色温可调

- 可适配II类灯具
- For luminaire of protection class II
- 隔离/安全低电压/独立式
- Isolated/ SELV/ Independent
- 输入电压 220-240VAC
- Input voltage: 220-240VAC
- 多重保护：短路保护、过载保护、过压保护、过温保护
- Protections: SCP/ OLP/ OVP/ OTP
- 低功率因数，无频闪
- Low power factor and flicker-free
- 符合ErP2.0
- Compliant with ErP 2.0
- 色温通过拨码可调
- Flexible CCT setting via 3-way DIP-switch
- 可过35mm安装孔
- Fits through a 35mm aperture
- 功率因数：0.6
- Power Factor: 0.6
- 5年质保
- 5 years warranty
- Ta, Tc: 45°C/ 75°C
- Ta, Tc: 45°C/ 75°C

CE CB SELV

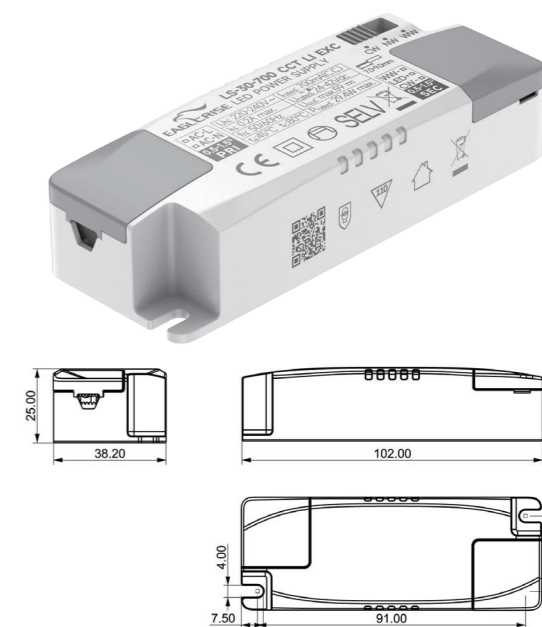


Model 型号	Power 功率	Input Voltage 输入电压	Output Current 输出电流	Output Voltage 输出电压	Efficiency 效率	Power Factor 功率因数	Size (L*W*H) 尺寸
LS-8-70 CCT SI E	8W	220-240VAC	70mA	30-40V	78%	0.60	92*28*21mm
LS-8-80 CCT SI E	8W	220-240VAC	80mA	30-40V	78%	0.60	92*28*21mm
LS-8-120 CCT SI E	8W	220-240VAC	120mA	30-40V	80%	0.60	92*28*21mm
LS-8-150 CCT SI E	8W	220-240VAC	150mA	30-40V	80%	0.60	92*28*21mm
LS-8-160 CCT SI E	8W	220-240VAC	160mA	30-40V	80%	0.60	92*28*21mm
LS-8-180 CCT SI E	8W	220-240VAC	180mA	30-40V	80%	0.60	92*28*21mm
LS-8-200 CCT SI E	8W	220-240VAC	200mA	30-40V	80%	0.60	92*28*21mm
LS-8-220 CCT SI E	8W	220-240VAC	220mA	30-40V	80%	0.60	92*28*21mm
LS-12-250 CCT SI E	12W	220-240VAC	250mA	30-40V	82%	0.60	92*28*21mm
LS-12-280 CCT SI E	12W	220-240VAC	280mA	30-40V	82%	0.60	92*28*21mm
LS-12-300 CCT SI E	12W	220-240VAC	300mA	30-40V	82%	0.60	92*28*21mm
LS-12-350 CCT SI E	12W	220-240VAC	350mA	30-40V	82%	0.60	92*28*21mm
LS-21-350 CCT SI E	21W	220-240VAC	350mA	42-60V	85%	0.60	92*36*25mm
LS-21-400 CCT SI E	21W	220-240VAC	400mA	30-42V	85%	0.60	92*36*25mm
LS-21-450 CCT SI E	21W	220-240VAC	450mA	30-42V	85%	0.60	92*36*25mm
LS-21-500 CCT SI E	21W	220-240VAC	500mA	30-42V	85%	0.60	92*36*25mm
LS-21-600 CCT SI E	21W	220-240VAC	600mA	27-39V	85%	0.60	92*36*25mm

紧凑型 色温可调

- 可适配II类灯具
- For luminaire of protection class II
- 隔离/安全低电压/独立式
- Isolated/ SELV/ Independent
- 输入电压 220-240VAC
- Input voltage: 220-240VAC
- 多重保护：短路保护、过载保护、过压保护、过温保护
- Protections: SCP/ OLP/ OVP/ OTP
- 符合ErP2.0
- Compliant with ErP 2.0
- 色温通过拨码可调
- Flexible CCT setting via 3-way DIP-switch
- 功率因数：0.95
- Power Factor: 0.95
- 5年质保
- 5 years warranty
- Ta, Tc: 45°C/ 75°C
- Ta, Tc: 45°C/ 75°C

CE CB SELV

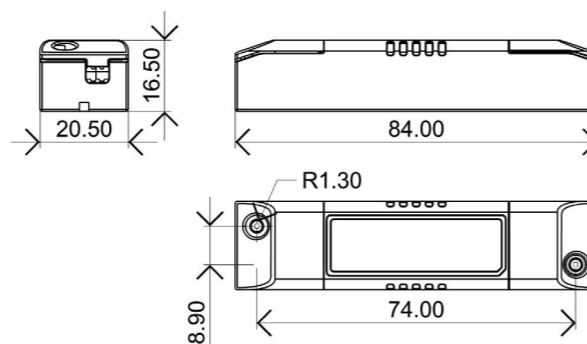
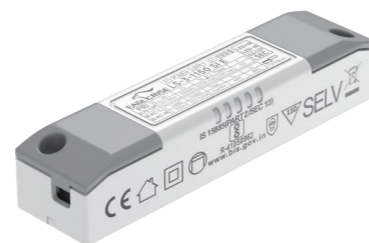


Model 型号	Power 功率	Input Voltage 输入电压	Output Current 输出电流	Output Voltage 输出电压	Efficiency 效率	Power Factor 功率因数	Size (L*W*H) 尺寸
LS-30-500 CCT LI EXC	30W	220-240VAC	500mA	24-42V	87%	0.95	102*38.2*25mm
LS-30-550 CCT LI EXC	30W	220-240VAC	550mA	24-42V	87%	0.95	102*38.2*25mm
LS-30-600 CCT LI EXC	30W	220-240VAC	600mA	24-42V	87%	0.95	102*38.2*25mm
LS-30-650 CCT LI EXC	30W	220-240VAC	650mA	24-42V	87%	0.95	102*38.2*25mm
LS-30-700 CCT LI EXC	30W	220-240VAC	700mA	24-42V	87%	0.95	102*38.2*25mm
LS-30-750 CCT LI EXC	30W	220-240VAC	750mA	24-42V	87%	0.95	102*38.2*25mm
LS-30-800 CCT LI EXC	30W	220-240VAC	800mA	24-42V	87%	0.95	102*38.2*25mm
LS-40-850 CCT LI EXC	40W	220-240VAC	850mA	24-42V	89%	0.95	116*41.2*26mm
LS-40-900 CCT LI EXC	40W	220-240VAC	900mA	24-42V	89%	0.95	116*41.2*26mm
LS-40-950 CCT LI EXC	40W	220-240VAC	950mA	24-42V	89%	0.95	116*41.2*26mm
LS-40-1000 CCT LI EXC	40W	220-240VAC	1000mA	24-40V	89%	0.95	116*41.2*26mm
LS-40-1050 CCT LI EXC	40W	220-240VAC	1050mA	24-38.5V	89%	0.95	116*41.2*26mm

紧凑型 热销

- 可适配II类灯具
· For luminaire of protection class II
- 隔离/安全低电压/独立式
· Isolated/ SELV/ Independent
- 输入电压 220-240VAC
· Input voltage: 220-240VAC
- 多重保护：短路保护、过载保护、过压保护、过温保护
· Protections: SCP/ OLP/ OVP/ OTP
- 低功率因素，无频闪
· Low power factor and flicker-free
- 符合ErP2.0
· Compliant with ErP 2.0
- 可过25mm安装孔
· Fits through a 25mm aperture
- 功率因数：0.5
· Power Factor: 0.5
- 5年质保
· 5 years warranty
- Ta, Tc: 45°C/ 75°C
· Ta, Tc: 45°C/ 75°C

CE CB CCC SELV

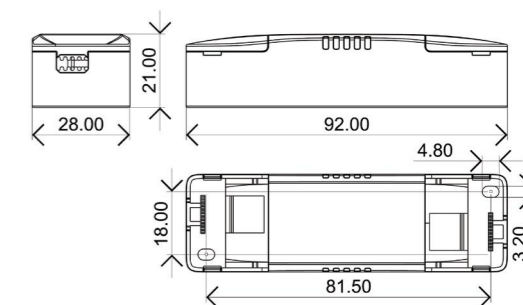


Model 型号	Power 功率	Input Voltage 输入电压	Output Current 输出电流	Output Voltage 输出电压	Efficiency 效率	Power Factor 功率因数	Size (L*W*H) 尺寸
LS-3-150...500 SI E	3W	220-240VAC	150/200/300/350/500mA	5-12V	68%	0.45	84*20.5*16.5mm
LS-3-700 SI E	3W	220-240VAC	700mA	2.5-4.5V	71%	0.45	84*20.5*16.5mm
LS-6-120...180 SI E	6W	220-240VAC	120/150/180mA	27-40V	76%	0.50	84*20.5*16.5mm
LS-6-200 SI E	6W	220-240VAC	200mA	27-40V	76%	0.50	84*20.5*16.5mm
LS-6-220 SI E	6W	220-240VAC	220mA	27-40V	76%	0.50	84*20.5*16.5mm
LS-6-250 SI E	6W	220-240VAC	250mA	10-24V	76%	0.50	84*20.5*16.5mm
LS-6-300...700 SI E	6W	220-240VAC	300/350/500/550/700mA	8-20V	76%	0.50	84*20.5*16.5mm
LS-8-180 SI E1	8W	220-240VAC	180mA	30-42V	73%	0.50	84*20.5*16.5mm
LS-8-200 SI E1	8W	220-240VAC	200mA	30-42V	73%	0.50	84*20.5*16.5mm
LS-8-220 SI E1	8W	220-240VAC	220mA	30-42V	73%	0.50	84*20.5*16.5mm
LS-8-500 SI E1	8W	220-240VAC	500mA	13-18V	73%	0.50	84*20.5*16.5mm
LS-8-700 SI E1	8W	220-240VAC	700mA	8-13V	73%	0.50	84*20.5*16.5mm

紧凑型 热销

- 可适配II类灯具
· For luminaire of protection class II
- 隔离/安全低电压/独立式
· Isolated/ SELV/ Independent
- 输入电压 220-240VAC
· Input voltage: 220-240VAC
- 多重保护：短路保护、过载保护、过压保护、过温保护
· Protections: SCP/ OLP/ OVP/ OTP
- 低功率因素，无频闪
· Low power factor and flicker-free
- 符合ErP2.0
· Compliant with ErP 2.0
- 可过35mm安装孔
· Fits through a 35mm aperture
- 功率因数：0.6
· Power Factor: 0.6
- 5年质保
· 5 years warranty
- Ta, Tc: 45°C/ 75°C
· Ta, Tc: 45°C/ 75°C

CE CB CCC SELV

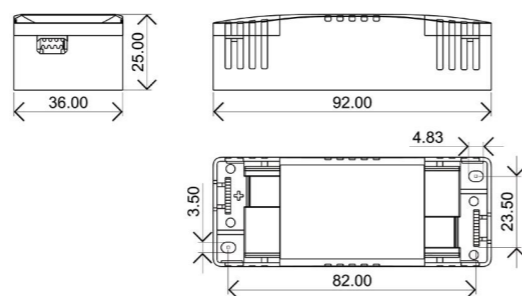
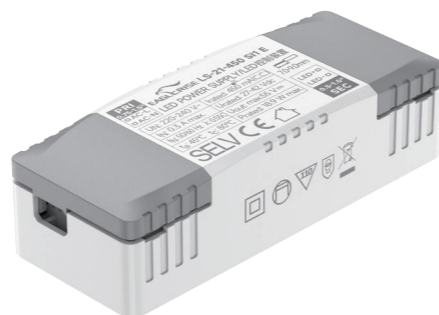


Model 型号	Power 功率	Input Voltage 输入电压	Output Current 输出电流	Output Voltage 输出电压	Efficiency 效率	Power Factor 功率因数	Size (L*W*H) 尺寸
LS-8-70 SI2 E	8W	220-240VAC	70mA	30-40V	78%	0.60	92*28*21mm
LS-8-80...120 SI2 E	8W	220-240VAC	80/100/120mA	30-40V	78%	0.60	92*28*21mm
LS-8-150 SI2 E	8W	220-240VAC	150mA	30-40V	80%	0.60	92*28*21mm
LS-8-160...220 SI2 E	8W	220-240VAC	160/180/200/220mA	30-40V	80%	0.60	92*28*21mm
LS-8-300 SI2 E	8W	220-240VAC	300mA	18-24V	80%	0.60	92*28*21mm
LS-8-350 SI2 E	8W	220-240VAC	350mA	18-24V	80%	0.60	92*28*21mm
LS-8-500 SI2 E	8W	220-240VAC	500mA	10-16V	80%	0.60	92*28*21mm
LS-8-700 SI2 E	8W	220-240VAC	700mA	8-11.4V	80%	0.60	92*28*21mm
LS-12-250 SI2 E	12W	220-240VAC	250mA	30-40V	82%	0.60	92*28*21mm
LS-12-280 SI2 E	12W	220-240VAC	280mA	30-40V	82%	0.60	92*28*21mm
LS-12-300 SI2 E	12W	220-240VAC	300mA	30-40V	82%	0.60	92*28*21mm
LS-12-350 SI2 E	12W	220-240VAC	350mA	30-40V	82%	0.60	92*28*21mm
LS-12-500...700 SI2 E	12W	220-240VAC	500/600/700mA	18-24V	82%	0.60	92*28*21mm

紧凑型 热销

- 可适配II类灯具
- For luminaire of protection class II
- 隔离/安全低电压/独立式
- Isolated/ SELV/ Independent
- 输入电压 220-240VAC
- Input voltage: 220-240VAC
- 多重保护: 短路保护、过载保护、过压保护、过温保护
- Protections: SCP/ OLP/ OVP/ OTP
- 可过45mm安装孔
- Fits through a 45mm aperture
- 效率>85%
- Efficiency>85%
- 功率因数: 0.6
- Power Factor: 0.6
- 5年质保
- 5 years warranty
- Ta, Tc: 45°C/ 75°C
- Ta, Tc: 45°C/ 75°C

CE CB CCC SELV

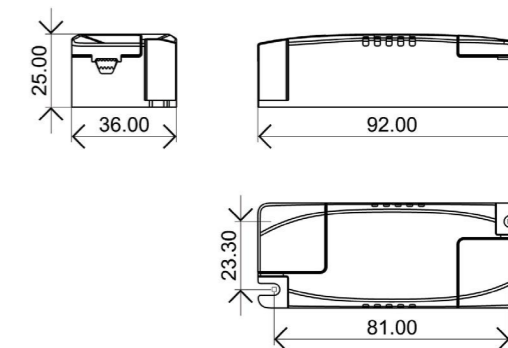
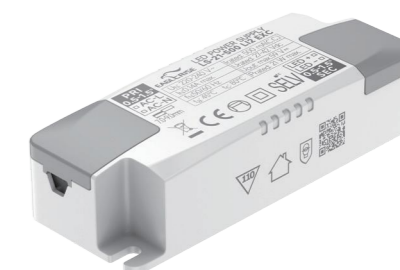


Model 型号	Power 功率	Input Voltage 输入电压	Output Current 输出电流	Output Voltage 输出电压	Efficiency 效率	Power Factor 功率因数	Size (L*W*H) 尺寸
LS-21-300 SII E	21W	220-240VAC	300mA	40-70V	85%	0.60	92*36*25mm
LS-21-350 SII E	21W	220-240VAC	350mA	42-60V	85%	0.60	92*36*25mm
LS-21-400 SII E	21W	220-240VAC	400mA	30-42V	85%	0.60	92*36*25mm
LS-21-450 SII E	21W	220-240VAC	450mA	30-42V	85%	0.60	92*36*25mm
LS-21-500 SII E	21W	220-240VAC	500mA	30-42V	85%	0.60	92*36*25mm
LS-21-550 SII E	21W	220-240VAC	550mA	30-40V	85%	0.60	92*36*25mm
LS-21-600 SII E	21W	220-240VAC	600mA	27-39V	85%	0.60	92*36*25mm
LS-21-650 SII E	21W	220-240VAC	650mA	20-32V	85%	0.60	92*36*25mm
LS-21-700 SII E	21W	220-240VAC	700mA	18-30V	85%	0.60	92*36*25mm

紧凑型 热销

- 可适配II类灯具
- For luminaire of protection class II
- 隔离/安全低电压/独立式
- Isolated/ SELV/ Independent
- 输入电压 220-240VAC
- Input voltage: 220-240VAC
- 多重保护: 短路保护、过载保护、过压保护、过温保护
- Protections: SCP/ OLP/ OVP/ OTP
- 效率>86%
- Efficiency>86%
- 功率因数: 0.95
- Power Factor: 0.95
- 5年质保
- 5 years warranty
- Ta, Tc: 45°C/ 75°C
- Ta, Tc: 45°C/ 75°C

CE CB CCC SELV

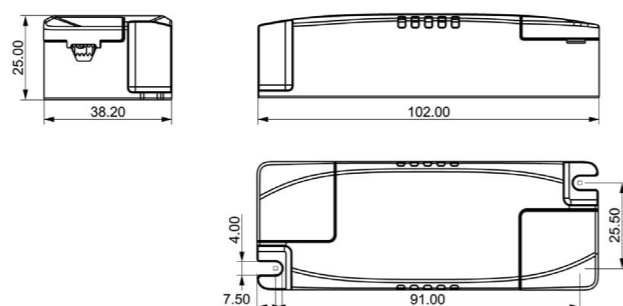


Model 型号	Power 功率	Input Voltage 输入电压	Output Current 输出电流	Output Voltage 输出电压	Efficiency 效率	Power Factor 功率因数	Size (L*W*H) 尺寸
LS-8-70 LI2 EXC	8W	220-240VAC	70mA	27-42V	68%	0.9	92*36*25mm
LS-8-120 LI2 EXC	8W	220-240VAC	120mA	27-42V	75%	0.92	92*36*25mm
LS-8-150 LI2 EXC	8W	220-240VAC	150mA	27-42V	75%	0.95	92*36*25mm
LS-8-160 LI2 EXC	8W	220-240VAC	160mA	27-42V	75%	0.95	92*36*25mm
LS-8-180 LI2 EXC	8W	220-240VAC	180mA	27-42V	78%	0.95	92*36*25mm
LS-8-200 LI2 EXC	8W	220-240VAC	200mA	27-42V	78%	0.95	92*36*25mm
LS-8-220 LI2 EXC	8W	220-240VAC	220mA	27-42V	79%	0.95	92*36*25mm
LS-12-250 LI2 EXC	12W	220-240VAC	250mA	27-42V	82%	0.95	92*36*25mm
LS-12-280 LI2 EXC	12W	220-240VAC	280mA	27-42V	82%	0.95	92*36*25mm
LS-12-300 LI2 EXC	12W	220-240VAC	300mA	27-40V	81%	0.95	92*36*25mm
LS-15-350 LI2 EXC	15W	220-240VAC	350mA	27-42V	82%	0.95	92*36*25mm
LS-21-400 LI2 EXC	21W	220-240VAC	400mA	27-42V	85%	0.95	102*38.2*25mm
LS-21-450 LI2 EXC	21W	220-240VAC	450mA	27-42V	85%	0.95	102*38.2*25mm
LS-21-500 LI2 EXC	21W	220-240VAC	500mA	27-42V	86%	0.95	102*38.2*25mm

紧凑型 热销

- 可适配II类灯具
· For luminaire of protection class II
- 隔离/安全低电压/独立式
· Isolated/ SELV/ Independent
- 输入电压 220-240VAC
· Input voltage: 220-240VAC
- 多重保护：短路保护、过载保护、过压保护
· Protections: SCP/ OLP/ OVP
- 效率>90%
· Efficiency> 90%
- 功率因数：0.95
· Power Factor: 0.95
- IP20
· IP20
- 5年质保
· 5 years warranty
- Ta, Tc: 45°C/ 85°C (15W-21W); 45°C/ 88°C (40W)
· Ta, Tc: 45°C/ 85°C (15W-21W); 45°C/ 88°C (40W)

CE CB CCC SELV

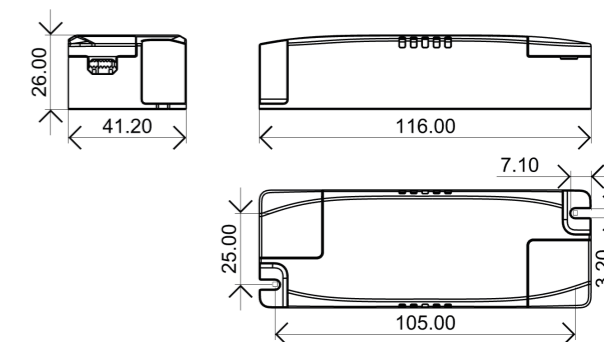
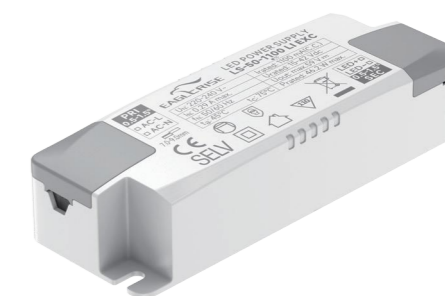


Model 型号	Power 功率	Input Voltage 输入电压	Output Current 输出电流	Output Voltage 输出电压	Efficiency 效率	Power Factor 功率因数	Size (L*W*H) 尺寸
LS-15-350 LI1 EXC	15W	220-240VAC	350mA	27-42V	84%	0.95	102*38.2*25mm
LS-21-400 LI1 EXC	21W	220-240VAC	400mA	27-42V	85%	0.95	102*38.2*25mm
LS-21-450 LI1 EXC	21W	220-240VAC	450mA	27-42V	85%	0.95	102*38.2*25mm
LS-21-500 LI1 EXC	21W	220-240VAC	500mA	27-42V	86%	0.95	102*38.2*25mm
LS-21-550 LI1 EXC	21W	220-240VAC	550mA	27-38.5V	86%	0.95	102*38.2*25mm
LS-40-600 LI1 EXC S	40W	220-240VAC	600mA	24-42V	89%	0.95	102*38.2*25mm
LS-40-650 LI1 EXC S	40W	220-240VAC	650mA	24-42V	89%	0.95	102*38.2*25mm
LS-40-700 LI1 EXC S	40W	220-240VAC	700mA	24-42V	89%	0.95	102*38.2*25mm
LS-40-750 LI1 EXC S	40W	220-240VAC	750mA	24-42V	89%	0.95	102*38.2*25mm
LS-40-800 LI1 EXC S	40W	220-240VAC	800mA	24-42V	89%	0.95	102*38.2*25mm
LS-40-850 LI1 EXC S	40W	220-240VAC	850mA	24-42V	89%	0.95	102*38.2*25mm
LS-40-900 LI1 EXC S	40W	220-240VAC	900mA	24-42V	90%	0.95	102*38.2*25mm
LS-40-950 LI1 EXC S	40W	220-240VAC	950mA	24-42V	90%	0.95	102*38.2*25mm
LS-40-1000 LI1 EXC S	40W	220-240VAC	1000mA	24-40V	90%	0.95	102*38.2*25mm
LS-40-1050 LI1 EXC S	40W	220-240VAC	1050mA	24-38.5V	90%	0.95	102*38.2*25mm

紧凑型 高PF

- 可适配II类灯具
· For luminaire of protection class II
- 隔离/安全低电压/独立式
· Isolated/ SELV/ Independent
- 输入电压 220-240VAC
· Input voltage: 220-240VAC
- 多重保护：短路保护、过载保护、过压保护
· Protections: SCP/ OLP/ OVP
- 效率>91%
· Efficiency> 91%
- 功率因数：0.95
· Power Factor: 0.95
- 5年质保
· 5 years warranty
- Ta, Tc: 45°C/ 80°C
· Ta, Tc: 45°C/ 80°C

CE CB CCC SAA SELV

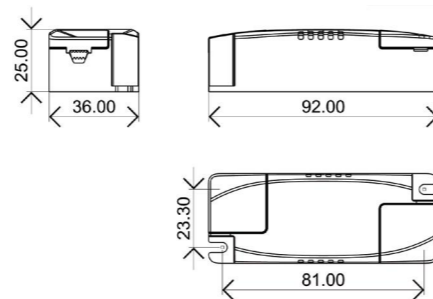


Model 型号	Power 功率	Input Voltage 输入电压	Output Current 输出电流	Output Voltage 输出电压	Efficiency 效率	Power Factor 功率因数	Size (L*W*H) 尺寸
LS-50-500 LI EXC	50W	220-240VAC	500mA	30-84V	91%	0.95	116*41.2*26mm
LS-50-600 LI EXC	50W	220-240VAC	600mA	30-84V	91%	0.95	116*41.2*26mm
LS-50-1100 LI EXC	50W	220-240VAC	1100mA	15-42V	91%	0.95	116*41.2*26mm
LS-50-1150 LI EXC	50W	220-240VAC	1150mA	15-42V	91%	0.95	116*41.2*26mm
LS-50-1200 LI EXC	50W	220-240VAC	1200mA	15-42V	91%	0.95	116*41.2*26mm
LS-50-1250 LI EXC	50W	220-240VAC	1250mA	15-40V	91%	0.95	116*41.2*26mm
LS-60-1050 LI EXC	60W	220-240VAC	1050mA	15-42V	90%	0.95	135*41.2*25mm
LS-60-1300 LI EXC	60W	220-240VAC	1300mA	15-42V	90%	0.95	135*41.2*25mm
LS-60-1350 LI EXC	60W	220-240VAC	1350mA	15-42V	90%	0.95	135*41.2*25mm
LS-60-1400 LI EXC	60W	220-240VAC	1400mA	15-42V	90%	0.95	135*41.2*25mm
LS-60-1450 LI EXC	60W	220-240VAC	1450mA	15-40V	90%	0.95	135*41.2*25mm
LS-60-1500 LI EXC	60W	220-240VAC	1500mA	15-40V	90%	0.95	135*41.2*25mm

紧凑型 宽电压

- 可适配II类灯具
- For luminaire of protection class II
- 隔离/安全低电压/独立式
- Isolated/ SELV/ Independent
- 输入电压 100-277VAC
- Input voltage: 100-277VAC
- 多重保护：短路保护、过载保护、过压保护、过温保护
- Protections: SCP/ OLP/ OVP/ OTP
- 效率>78%
- Efficiency> 78%
- 功率因数>0.95
- Power Factor> 0.95
- 5年质保
- 5 years warranty
- Ta, Tc: 45°C/ 75°C
- Ta, Tc: 45°C/ 75°C

CE CB SELV

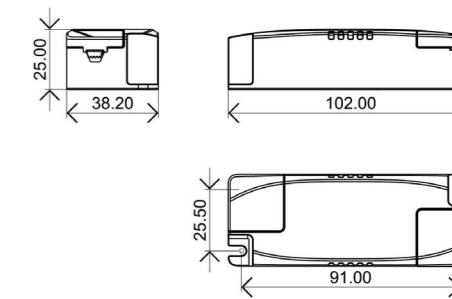
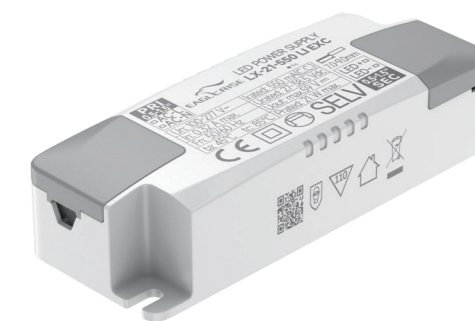


Model 型号	Power 功率	Input Voltage 输入电压	Output Current 输出电流	Output Voltage 输出电压	Efficiency 效率	Power Factor 功率因数	Size (L*W*H) 尺寸
LX-8-70 LI EXC	8W	100-277VAC	70mA	27-42V	59%	0.9	92*36*25mm
LX-8-100 LI EXC	8W	100-277VAC	100mA	27-42V	66%	0.9	92*36*25mm
LX-8-120 LI EXC	8W	100-277VAC	120mA	27-42V	71%	0.9	92*36*25mm
LX-8-150 LI EXC	8W	100-277VAC	150mA	27-42V	71%	0.9	92*36*25mm
LX-8-160 LI EXC	8W	100-277VAC	160mA	27-42V	71%	0.9	92*36*25mm
LX-8-180 LI EXC	8W	100-277VAC	180mA	27-42V	76%	0.9	92*36*25mm
LX-8-200 LI EXC	8W	100-277VAC	200mA	27-40V	76%	0.9	92*36*25mm
LX-8-220 LI EXC	8W	100-277VAC	220mA	27-40V	76%	0.95	92*36*25mm
LX-12-250 LI EXC	12W	100-277VAC	250mA	27-42V	78%	0.9	92*36*25mm
LX-12-280 LI EXC	12W	100-277VAC	280mA	27-42V	78%	0.9	92*36*25mm
LX-12-300 LI EXC	12W	100-277VAC	300mA	27-40V	78%	0.9	92*36*25mm

紧凑型 宽电压

- 可适配II类灯具
- For luminaire of protection class II
- 隔离/安全低电压/独立式
- Isolated/ SELV/ Independent
- 输入电压 100-277VAC
- Input voltage: 100-277VAC
- 多重保护：短路保护、过载保护、过压保护、过温保护
- Protections: SCP/ OLP/ OVP/ OTP
- 效率>88%
- Efficiency> 88%
- 功率因数: 0.95
- Power Factor: 0.95
- 5年质保
- 5 years warranty
- Ta, Tc: 45°C/ 75°C
- Ta, Tc: 45°C/ 75°C

CE CB SELV



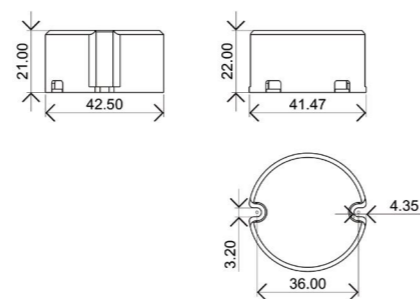
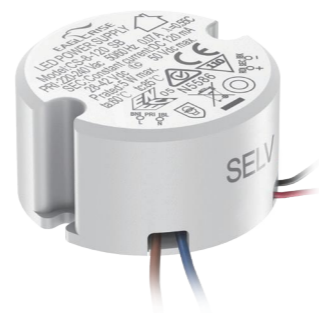
Model 型号	Power 功率	Input Voltage 输入电压	Output Current 输出电流	Output Voltage 输出电压	Efficiency 效率	Power Factor 功率因数	Size (L*W*H) 尺寸
LX-21-350 LI EXC	21W	100-277VAC	350mA	27-44V	85%	0.95	102*38.2*25mm
LX-21-400 LI EXC	21W	100-277VAC	400mA	27-44V	85%	0.95	102*38.2*25mm
LX-21-450 LI EXC	21W	100-277VAC	450mA	27-44V	85%	0.95	102*38.2*25mm
LX-21-500 LI EXC	21W	100-277VAC	500mA	27-44V	85%	0.95	102*38.2*25mm
LX-21-550 LI EXC	21W	100-277VAC	550mA	27-38.5V	85%	0.95	102*38.2*25mm
LX-40-600 LI EXC	40W	100-277VAC	600mA	24-42V	88%	0.9	135*41.2*25mm
LX-40-650 LI EXC	40W	100-277VAC	650mA	24-42V	88%	0.9	135*41.2*25mm
LX-40-700 LI EXC	40W	100-277VAC	700mA	24-42V	88%	0.9	135*41.2*25mm
LX-40-750 LI EXC	40W	100-277VAC	750mA	24-42V	88%	0.9	135*41.2*25mm
LX-40-800 LI EXC	40W	100-277VAC	800mA	24-42V	88%	0.9	135*41.2*25mm
LX-40-850 LI EXC	40W	100-277VAC	850mA	24-42V	88%	0.9	135*41.2*25mm
LX-40-900 LI EXC	40W	100-277VAC	900mA	24-42V	88%	0.9	135*41.2*25mm
LX-40-950 LI EXC	40W	100-277VAC	950mA	24-42V	88%	0.9	135*41.2*25mm
LX-40-1000 LI EXC	40W	100-277VAC	1000mA	24-40V	88%	0.9	135*41.2*25mm
LX-40-1050 LI EXC	40W	100-277VAC	1050mA	24-38.5V	88%	0.9	135*41.2*25mm

紧凑型

圆形

- 可适配II类灯具
- For luminaire of protection class II
- 隔离/安全低电压/内置式
- Isolated/ SELV/ Built-in
- 输入电压 220-240VAC
- Input voltage: 220-240VAC
- 多重保护：短路保护、过载保护、过压保护、过温保护
- Protections: SCP/ OLP/ OVP/ OTP
- 效率 > 82%
- Efficiency > 82%
- 功率因数：0.6
- Power Factor: 0.6
- 5年质保
- 5 years warranty
- Ta, Tc: 70°C/ 100°C
- Ta, Tc: 70°C/ 100°C

CE CB SELV



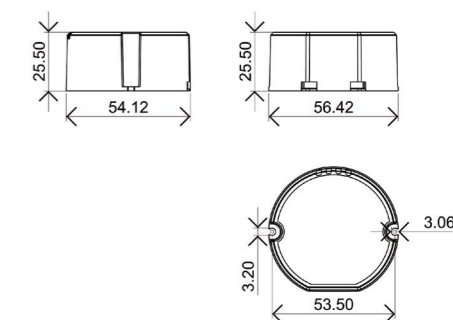
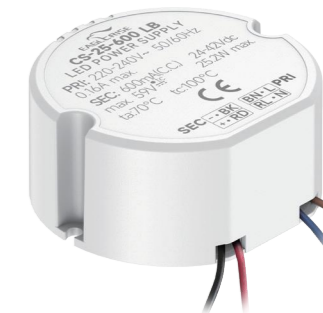
Model 型号	Power 功率	Input Voltage 输入电压	Output Current 输出电流	Output Voltage 输出电压	Efficiency 效率	Power Factor 功率因数	Size (L*W*H) 尺寸
CS-8-100 SB	8W	220-240VAC	100mA	30-40V	80%	0.5	Φ42.5*21mm
CS-8-120 SB	8W	220-240VAC	120mA	30-40V	80%	0.5	Φ42.5*21mm
CS-8-150 SB	8W	220-240VAC	150mA	30-40V	80%	0.5	Φ42.5*21mm
CS-8-180 SB	8W	220-240VAC	180mA	30-40V	80%	0.6	Φ42.5*21mm
CS-8-200 SB	8W	220-240VAC	200mA	30-40V	80%	0.6	Φ42.5*21mm
CS-8-220 SB	8W	220-240VAC	220mA	30-40V	80%	0.6	Φ42.5*21mm
CS-15-250 SB	15W	220-240VAC	250mA	27-42V	82%	0.6	Φ42.5*21mm
CS-15-280 SB	15W	220-240VAC	280mA	27-42V	82%	0.6	Φ42.5*21mm
CS-15-300 SB	15W	220-240VAC	300mA	27-42V	82%	0.6	Φ42.5*21mm
CS-15-350 SB	15W	220-240VAC	350mA	27-42V	82%	0.6	Φ42.5*21mm
CS-15-400 SB	15W	220-240VAC	400mA	27-42V	82%	0.6	Φ42.5*21mm

紧凑型

圆形

- 可适配II类灯具
- For luminaire of protection class II
- 隔离/安全低电压/内置式
- Isolated/ SELV/ Built-in
- 输入电压 220-240VAC
- Input voltage: 220-240VAC
- 多重保护：短路保护、过载保护、过压保护、过温保护
- Protections: SCP/ OLP/ OVP/ OTP
- 效率 > 89%
- Efficiency > 89%
- 功率因数：0.95
- Power Factor: 0.95
- 5年质保
- 5 years warranty
- Ta, Tc: 70°C/ 100°C
- Ta, Tc: 70°C/ 100°C

CE CB SELV



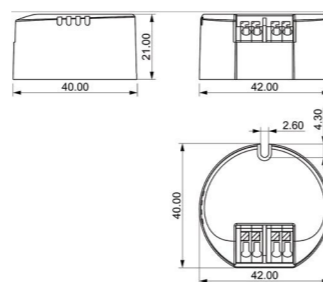
Model 型号	Power 功率	Input Voltage 输入电压	Output Current 输出电流	Output Voltage 输出电压	Efficiency 效率	Power Factor 功率因数	Size (L*W*H) 尺寸
CS-25-450 LB	25W	220-240VAC	450mA	24-42V	87%	0.95	Φ56*25.5mm
CS-25-500 LB	25W	220-240VAC	500mA	24-42V	87%	0.95	Φ56*25.5mm
CS-25-550 LB	25W	220-240VAC	550mA	24-42V	88%	0.95	Φ56*25.5mm
CS-25-600 LB	25W	220-240VAC	600mA	24-42V	88%	0.95	Φ56*25.5mm
CS-32-650 LB	32W	220-240VAC	650mA	24-42V	89%	0.95	Φ65*25mm
CS-32-700 LB	32W	220-240VAC	700mA	24-42V	89%	0.95	Φ65*25mm
CS-32-750 LB	32W	220-240VAC	750mA	24-42V	89%	0.95	Φ65*25mm
CS-32-800 LB	32W	220-240VAC	800mA	24-42V	89%	0.95	Φ65*25mm

紧凑型

圆形

- 可适配II类灯具
- For luminaire of protection class II
- 隔离/安全低电压/内置式
- Isolated/ SELV/ Built-in
- 输入电压 220-240VAC
- Input voltage: 220-240VAC
- 多重保护：短路保护、过载保护、过压保护、过温保护
- Protections: SCP/ OLP/ OVP/ OTP
- 效率>85%
- Efficiency> 85%
- 功率因数：0.5
- Power Factor: 0.5
- 5年质保
- 5 years warranty
- Ta, Tc: 70°C/ 100°C
- Ta, Tc: 70°C/ 100°C

CE CB CCC SELV



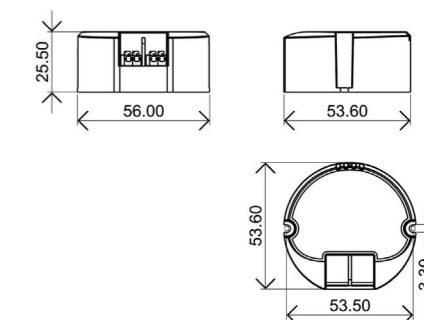
Model 型号	Power 功率	Input Voltage 输入电压	Output Current 输出电流	Output Voltage 输出电压	Efficiency 效率	Power Factor 功率因数	Size (L*W*H) 尺寸
CS-8-120 SI	8W	220-240VAC	120mA	30-40V	80%	0.5	Φ42*21mm
CS-8-150 SI	8W	220-240VAC	150mA	30-40V	80%	0.5	Φ42*21mm
CS-8-180 SI	8W	220-240VAC	180mA	30-40V	80%	0.5	Φ42*21mm
CS-8-200 SI	8W	220-240VAC	200mA	30-40V	80%	0.5	Φ42*21mm
CS-15-250 SI	15W	220-240VAC	250mA	27-42V	82%	0.5	Φ42*21mm
CS-15-300 SI	15W	220-240VAC	300mA	27-42V	82%	0.5	Φ42*21mm
CS-15-350 SI	15W	220-240VAC	350mA	27-42V	82%	0.5	Φ42*21mm
CS-22-350 SI	22W	220-240VAC	350mA	27-42V	85%	0.5	Φ50*22mm
CS-22-400 SI	22W	220-240VAC	400mA	27-42V	85%	0.5	Φ50*22mm
CS-22-450 SI	22W	220-240VAC	450mA	27-42V	85%	0.5	Φ50*22mm
CS-22-500 SI	22W	220-240VAC	500mA	27-42V	85%	0.5	Φ50*22mm
CS-22-550 SI	22W	220-240VAC	550mA	27-40V	85%	0.5	Φ50*22mm

紧凑型

圆形

- 可适配II类灯具
- For luminaire of protection class II
- 隔离/安全低电压/内置式
- Isolated/ SELV/ Built-in
- 输入电压 220-240VAC
- Input voltage: 220-240VAC
- 多重保护：短路保护、过载保护、过压保护、过温保护
- Protections: SCP/ OLP/ OVP/ OTP
- 效率>90%
- Efficiency> 90%
- 功率因数：0.95
- Power Factor: 0.95
- 5年质保
- 5 years warranty
- Ta, Tc: 70°C/ 100°C
- Ta, Tc: 70°C/ 100°C

CE CB CCC SELV

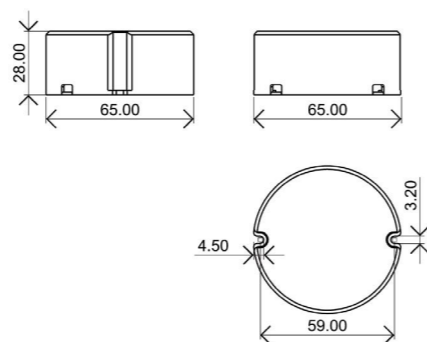
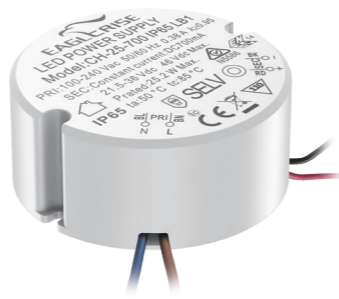


Model 型号	Power 功率	Input Voltage 输入电压	Output Current 输出电流	Output Voltage 输出电压	Efficiency 效率	Power Factor 功率因数	Size (L*W*H) 尺寸
CS-24-450 LI1	24W	220-240VAC	450mA	24-42V	87%	0.95	Φ56*25.5mm
CS-24-500 LI1	24W	220-240VAC	500mA	24-42V	87%	0.95	Φ56*25.5mm
CS-24-550 LI1	24W	220-240VAC	550mA	24-42V	88%	0.95	Φ56*25.5mm
CS-24-600 LI1	24W	220-240VAC	600mA	24-40V	88%	0.95	Φ56*25.5mm
CS-30-600 LI1	30W	220-240VAC	600mA	20-42V	89%	0.95	Φ65*25mm
CS-30-650 LI1	30W	220-240VAC	650mA	20-42V	89%	0.95	Φ65*25mm
CS-30-700 LI1	30W	220-240VAC	700mA	20-42V	89%	0.95	Φ65*25mm
CS-30-750 LI1	30W	220-240VAC	750mA	24-40V	89%	0.95	Φ65*25mm
CS-42-800 LI1	42W	220-240VAC	800mA	24-42V	90%	0.95	Φ65*25mm
CS-42-850 LI1	42W	220-240VAC	850mA	24-42V	90%	0.95	Φ65*25mm
CS-42-900 LI1	42W	220-240VAC	900mA	24-42V	90%	0.95	Φ65*25mm
CS-42-950 LI1	42W	220-240VAC	950mA	24-42V	90%	0.95	Φ65*25mm
CS-42-1000 LI1	42W	220-240VAC	1000mA	24-42V	90%	0.95	Φ65*25mm
CS-42-1050 LI1	42W	220-240VAC	1050mA	24-40V	90%	0.95	Φ65*25mm

紧凑型 带引线

- 可适配II类灯具
- For luminaire of protection class II
- 隔离/安全低电压/内置式
- Isolated/ SELV/ Built-in
- 输入电压 100-240VAC
- Input voltage: 100-240VAC
- 多重保护：短路保护、过载保护、过压保护、过温保护
- Protections: SCP/ OLP/ OVP/ OTP
- IP65
- IP65
- 效率>86%
- Efficiency> 86%
- 功率因数：0.95
- Power Factor: 0.95
- 5年质保
- 5 years warranty
- Ta, Tc: 45°C/ 75°C
- Ta, Tc: 45°C/ 75°C

CE CB SELV

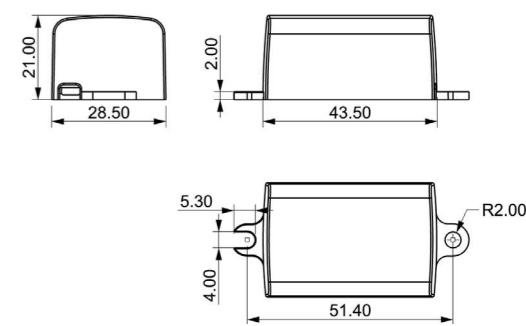
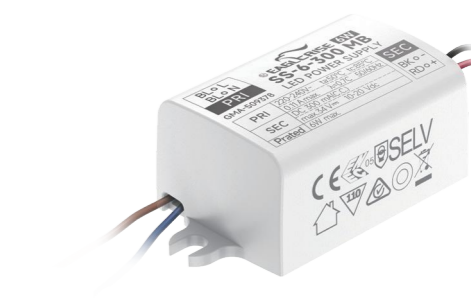


Model 型号	Power 功率	Input Voltage 输入电压	Output Current 输出电流	Output Voltage 输出电压	Efficiency 效率	Power Factor 功率因数	Size (L*W*H) 尺寸
CH-12-300 IP65 LB1	12W	100-240VAC	300mA	24-40VDC	≥81%	0.95	Φ55*26mm
CH-12-350 IP65 LB1	12W	100-240VAC	350mA	20-35VDC	≥81%	0.95	Φ55*26mm
CH-12-500 IP65 LB1	12W	100-240VAC	500mA	14-24VDC	≥81%	0.95	Φ55*26mm
CH-12-700 IP65 LB1	12W	100-240VAC	700mA	10.5-17.5VDC	≥81%	0.95	Φ55*26mm
CH-18-300 IP65 LB	18W	100-240VAC	300mA	36-60VDC	≥86%	0.95	Φ55*26mm
CH-18-350 IP65 LB	18W	100-240VAC	350mA	31-52VDC	≥86%	0.95	Φ55*26mm
CH-18-450 IP65 LB	18W	100-240VAC	450mA	24-40VDC	≥86%	0.95	Φ55*26mm
CH-18-700 IP65 LB	18W	100-240VAC	700mA	15.5-26VDC	≥87%	0.95	Φ55*26mm
CH-25-350 IP65 LB1	25W	100-240VAC	350mA	43-72VDC	≥86%	0.95	Φ65*28mm
CH-25-600 IP65 LB1	25W	100-240VAC	600mA	25-42VDC	≥86%	0.95	Φ65*28mm
CH-25-700 IP65 LB1	25W	100-240VAC	700mA	21.5-36VDC	≥86%	0.95	Φ65*28mm

紧凑型 带引线

- 可适配I/ II类灯具
- For luminaire of protection class I and class II
- 隔离/安全低电压/内置式
- Isolated/ SELV/ Built-in
- 输入电压 220-240VAC
- Input voltage: 220-240VAC
- 多重保护：短路保护、过载保护、过压保护
- Protections: SCP/ OLP/ OVP
- 效率>81%
- Efficiency> 81%
- 功率因数：0.8
- Power Factor: 0.8
- 5年质保
- 5 years warranty
- Ta, Tc: 50°C/ 75°C
- Ta, Tc: 50°C/ 75°C

CE CB SELV

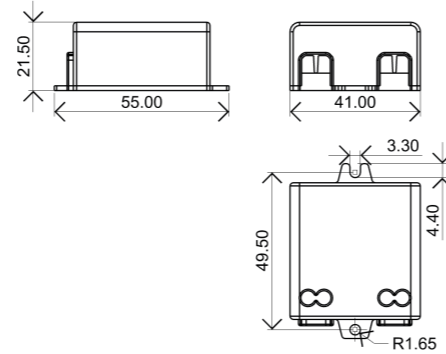


Model 型号	Power 功率	Input Voltage 输入电压	Output Current 输出电流	Output Voltage 输出电压	Efficiency 效率	Power Factor 功率因数	Size (L*W*H) 尺寸
SS-6-300 MB	6W	220-240VAC	300mA	10-20V	76%	0.70	58.1*28.5*21mm
SS-6-350 MB	6W	220-240VAC	350mA	8-20V	76%	0.70	58.1*28.5*21mm
SS-6-700 MB	6W	220-240VAC	700mA	2.8-9V	76%	0.70	58.1*28.5*21mm
SS-9-200 MB-G	9W	220-240VAC	200mA	27-45V	78%	0.80	60*34*23.5mm
SS-9-350 MB-G	9W	220-240VAC	350mA	15-26V	78%	0.80	60*34*23.5mm
SS-9-700 MB-G	9W	220-240VAC	700mA	7-13V	78%	0.80	60*34*23.5mm
SS-12-300 MB-G	12W	220-240VAC	300mA	24-40V	81%	0.80	60*34*23.5mm
SS-12-350 MB-G	12W	220-240VAC	350mA	20-34.5V	81%	0.80	60*34*23.5mm
SS-12-500 MB-G	12W	220-240VAC	500mA	14.5-24V	81%	0.80	60*34*23.5mm
SS-12-700 MB-G	12W	220-240VAC	700mA	10-18V	81%	0.80	60*34*23.5mm

紧凑型 带引线

- 可适配I/ II类灯具
- For luminaire of protection class I and class II
- 隔离/安全低电压/内置式
- Isolated/ SELV/ Built-in
- 输入电压 220-240VAC
- Input voltage: 220-240VAC
- 多重保护：短路保护、过载保护、过压保护
- Protections: SCP/ OLP/ OVP
- 效率>81%
- Efficiency> 81%
- 功率因数：0.7
- Power Factor: 0.7
- 5年质保
- 5 years warranty
- Ta, Tc: 50°C/ 75°C
- Ta, Tc: 50°C/ 75°C

CE CB SELV

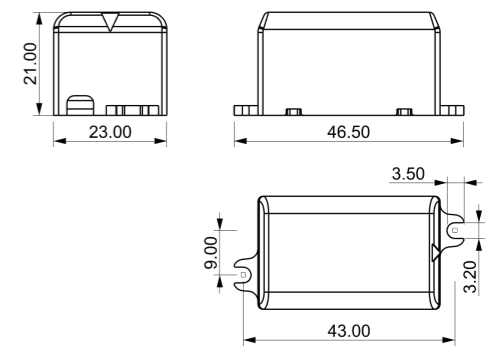


Model 型号	Power 功率	Input Voltage 输入电压	Output Current 输出电流	Output Voltage 输出电压	Efficiency 效率	Power Factor 功率因数	Size (L*W*H) 尺寸
SS-9-200 MX-G	9W	220-240VAC	200mA	27-45V	81%	0.70	55*41*21.5mm
SS-9-300 MX-G	9W	220-240VAC	300mA	18-30V	81%	0.70	55*41*21.5mm
SS-9-350 MX-G	9W	220-240VAC	350mA	15-26V	81%	0.70	55*41*21.5mm
SS-9-700 MX-G	9W	220-240VAC	700mA	7-13V	81%	0.70	55*41*21.5mm
SS-12-300 MX-G	12W	220-240VAC	300mA	24-40V	80%	0.70	55*41*21.5mm
SS-12-350 MX-G	12W	220-240VAC	350mA	20-34.5V	80%	0.70	55*41*21.5mm
SS-12-500 MX-G	12W	220-240VAC	500mA	14.5-24V	80%	0.70	55*41*21.5mm
SS-12-700 MX-G	12W	220-240VAC	700mA	10-18V	80%	0.70	55*41*21.5mm

紧凑型 带引线

- 可适配II类灯具
- For luminaire of protection class II
- 隔离/安全低电压/内置式
- Isolated/ SELV/ Built-in
- 输入电压 100-240VAC
- Input voltage: 100-240VAC
- 多重保护：短路保护、过载保护、过压保护
- Protections: SCP/ OLP/ OVP
- 效率>68%
- Efficiency> 68%
- 功率因数：0.5
- Power Factor: 0.5
- 5年质保
- 5 years warranty
- Ta, Tc: 50°C/ 75°C
- Ta, Tc: 50°C/ 75°C

CB SELV



Model 型号	Power 功率	Input Voltage 输入电压	Output Current 输出电流	Output Voltage 输出电压	Efficiency 效率	Power Factor 功率因数	Size (L*W*H) 尺寸
SH-3-300 IP65 SB	3W	100-240VAC	300mA	2.5-12V	68%	0.50	47*23*21mm
SH-3-350 IP65 SB	3W	100-240VAC	350mA	2.5-10V	68%	0.50	47*23*21mm
SH-3-500 IP65 SB	3W	100-240VAC	500mA	2.5-7V	68%	0.50	47*23*21mm
SH-3-700 IP65 SB	3W	100-240VAC	700mA	2.5-4.5V	68%	0.50	47*23*21mm

迷你系列

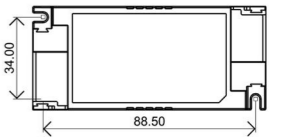
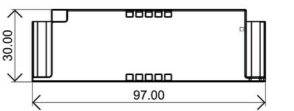
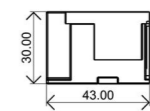
LED DRIVER MINI SERIES

应用场景：
吸顶灯
面板灯
筒灯及射灯

迷你型 - 智能系列 DALI-2 (ALL IN ONE)



- 可适配I/ II类灯具
· For luminaire of protection class I and class II
- 隔离/安全低电压/内置式/独立式 (带侧盖)
· Isolated/ SELV/ Built-in/ Independent(With side caps)
- 输入电压 100-240VAC
· Input voltage: 100-240VAC
- 多重保护: 短路保护、过载保护、过压保护、过温保护
· Protections: SCP/ OLP/ OVP/ OTP
- 支持DALI、0-10V、PUSH、电阻、PWM调光
· Support DALI, 0-10V, PUSH, RX, PWM dimming
- 含DALI协议251、252、253
· DALI-2 Parts 251, 252, 253
- 调光范围: 1%-100%
· Dimming range 1%-100%
- NFC调节输出电流
· Output current adjusted via NFC
- 效率>89%; 功率因数>0.95
· Efficiency>89%; Power factor>0.95
- 适用于应急照明, 符合EN 50172
· Suitable for emergency lighting acc. to EN 50172
- 5年质保
· 5 years warranty
- Ta, Tc: 45°C/ 85°C
· Ta, Tc: 45°C/ 85°C



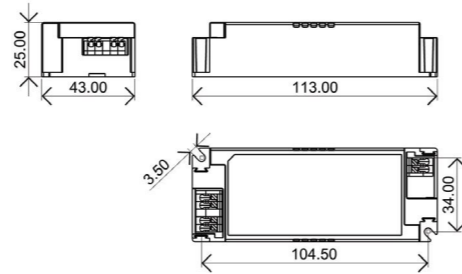
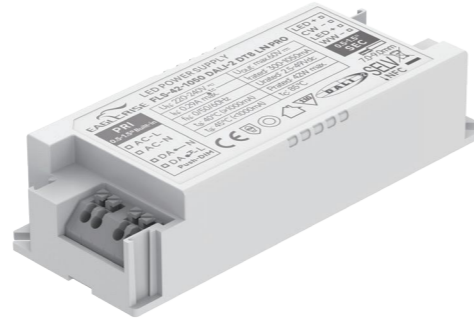
Model 型号	Power 功率	Input Voltage 输入电压	Output Current 输出电流	Output Voltage 输出电压	Efficiency 效率	Power Factor 功率因数	Size (L*W*H) 尺寸
FLX-42-1050 DALI-2 0-10 LN PRO	42W	100-240VAC	150-1050mA	2.5-49V	89%	0.95	97*43*30mm

迷你系列

迷你型 - 智能系列

DALI-2 DT8

- 可适配I/ II类灯具
- For luminaire of protection class I and class II
- 隔离/安全低电压/内置式/独立式 (带侧盖)
- Isolated/ SELV/ Built-in/ Independent(With side caps)
- 输入电压 220-240VAC
- Input voltage: 220-240VAC
- 多重保护: 短路保护、过载保护、过压保护、过温保护
- Protections: SCP/ OLP/ OVP/ OTP
- DALI调光、PUSH调光、走廊模式
- DALI dimming, PUSH dimming, Corridor mode
- ADV版: DT8、DT6双模式; PRO版: 仅DT8模式
- ADV: can be used in both DT8 and DT6 mode; PRO: can be used in DT8 mode
- 含DALI协议209、251、252、253
- DALI-2 Parts 209, 251, 252, 253
- 调光范围: 1%-100%
- Dimming range 1%-100%
- NFC调节输出电流
- Output current adjusted via NFC
- 效率>90%; 功率因数>0.95
- Efficiency>90%; Power factor>0.95
- 适用于应急照明, 符合EN 50172
- Suitable for emergency lighting acc. to EN 50172
- 5年质保
- 5 years warranty
- Ta, Tc: 45°C/ 85°C
- Ta, Tc: 45°C/ 85°C

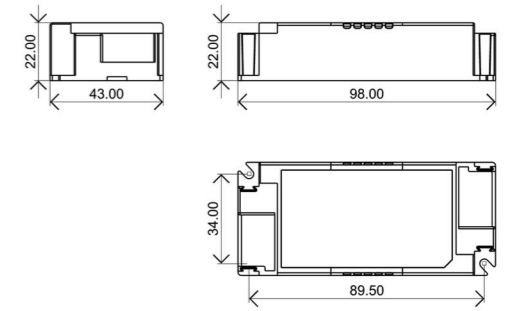


Model 型号	Power 功率	Input Voltage 输入电压	Output Current 输出电流	Output Voltage 输出电压	Efficiency 效率	Power Factor 功率因数	Size (L*W*H) 尺寸
FLS-20-500 DALI-2 DT8 LN ADV	20W	220-240VAC	150-500mA	2.5-49V	87%	0.95	98*43*22mm
FLS-42-1050 DALI-2 DT8 LN ADV	42W	220-240VAC	300-1050mA	2.5-49V	90%	0.95	113*43*25mm
FLS-20-500 DALI-2 DT8 LN PRO	20W	220-240VAC	80-500mA	2.5-49V	87%	0.95	98*43*22mm
FLS-42-1050 DALI-2 DT8 LN PRO	42W	220-240VAC	300-1050mA	2.5-49V	90%	0.95	113*43*25mm
FLS-60-1500 DALI-2 DT8 LN PRO	60W	220-240VAC	900-1500mA	9-49V	90%	0.95	113*43*25mm

迷你型 - 智能系列

DALI-2 高效系列

- 可适配II类灯具
- For luminaire of protection class II
- 隔离/安全低电压/内置式/独立式 (带侧盖)
- Isolated/ SELV/ Built-in/ Independent(With side caps)
- 输入电压 220-240VAC
- Input voltage: 220-240VAC
- 多重保护: 短路保护、过载保护、过压保护、过温保护
- Protections: SCP/ OLP/ OVP/ OTP
- 支持DALI、PUSH调光
- Support DALI, PUSH dimming
- 22mm高
- 22mm height
- EOFF=15%
- EOFF=15%
- 含DALI协议251、252、253
- DALI-2 Parts 251, 252, 253
- 效率>93%; 功率因数>0.95
- Efficiency>93%; Power factor>0.95
- 适用于应急照明, 符合EN 50172
- Suitable for emergency lighting acc. to EN 50172
- 5年质保
- 5 years warranty
- Ta, Tc: 45°C/ 85°C
- Ta, Tc: 45°C/ 85°C

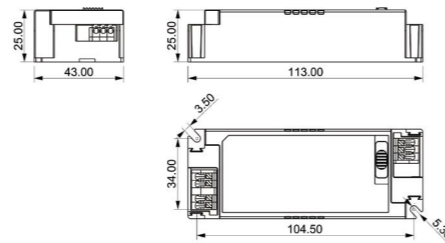


Model 型号	Power 功率	Input Voltage 输入电压	Output Current 输出电流	Output Voltage 输出电压	Efficiency 效率	Power Factor 功率因数	Size (L*W*H) 尺寸
FLS-12-300 DALI-2 LD1 ADV	12W	220-240VAC	150-300mA	24-42V	91%	0.95	98*43*22mm
FLS-30-700 DALI-2 LD1 ADV	30W	220-240VAC	350-700mA	24-42V	93%	0.95	98*43*22mm
FLS-42-1050 DALI-2 LD1 ADV	42W	220-240VAC	700-1050mA	24-42V	93%	0.95	98*43*22mm

迷你型 - 智能系列

DALI-2 色温可调

- 可适配/ II类灯具
- For luminaire of protection class I and class II
- 隔离/安全低电压/内置式/独立式 (带侧盖)
- Isolated/ SELV/ Built-in/ Independent(With side caps)
- 输入电压 220-240VAC
- Input voltage: 220-240VAC
- 多重保护: 短路保护、过载保护、过压保护、过温保护
- Protections: SCP/ OLP/ OVP/ OTP
- 支持DALI、PUSH调光
- Support DALI, PUSH dimming
- 调光范围: 1%-100%
- Dimming range 1%-100%
- 拨码调节输出电流及色温
- Output current and CCT adjusted via DIP-switch
- 含DALI协议251、252、253
- DALI-2 Parts 251, 252, 253
- 效率>92%; 功率因数>0.95
- Efficiency>92%; Power factor>0.95
- 适用于应急照明, 符合EN 50172
- Suitable for emergency lighting acc. to EN 50172
- 5年质保
- 5 years warranty
- Ta, Tc: 45°C/ 85°C
- Ta, Tc: 45°C/ 85°C

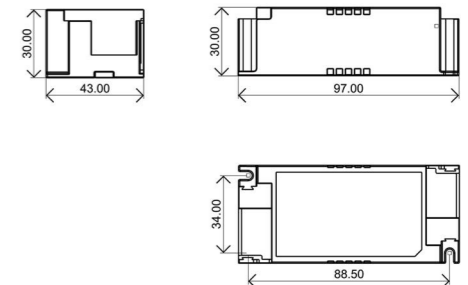
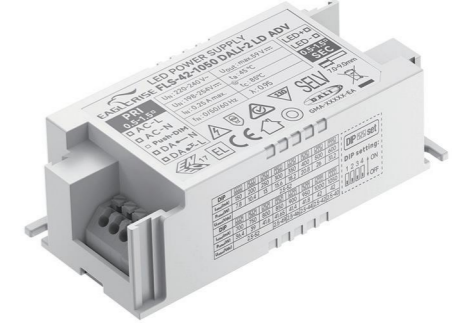


Model 型号	Power 功率	Input Voltage 输入电压	Output Current 输出电流	Output Voltage 输出电压	Efficiency 效率	Power Factor 功率因数	Size (L*W*H) 尺寸
FLS-36-850 DALI-2 CCT LD	36W	220-240VAC	550-850mA	24-42V	92%	0.95	113*43*25mm
FLS-42-1050 DALI-2 CCT LD	42W	220-240VAC	500-1050mA	24-42V	92%	0.95	113*43*25mm

迷你型 - 智能系列

DALI-2

- 可适配/ II类灯具
- For luminaire of protection class I and class II
- 隔离/安全低电压/内置式/独立式 (带侧盖)
- Isolated/ SELV/ Built-in/ Independent(With side caps)
- 输入电压 220-240VAC
- Input voltage: 220-240VAC
- 多重保护: 短路保护、过载保护、过压保护、过温保护
- Protections: SCP/ OLP/ OVP/ OTP
- 支持DALI、PUSH调光, 走廊模式
- Support DALI, PUSH dimming, corridor mode
- 调光范围: 1%-100%
- Dimming range 1%-100%
- 拨码调节输出电流, 共16个电流档
- Output current adjusted via DIP-switch, 16 current steps
- 含DALI协议251、252、253
- DALI-2 Parts 251, 252, 253
- 效率>87%; 功率因数>0.95
- Efficiency>87%; Power factor>0.95
- 适用于应急照明, 符合EN 50172
- Suitable for emergency lighting acc. to EN 50172
- 5年质保
- 5 years warranty
- Ta, Tc: 45°C/ 85°C
- Ta, Tc: 45°C/ 85°C

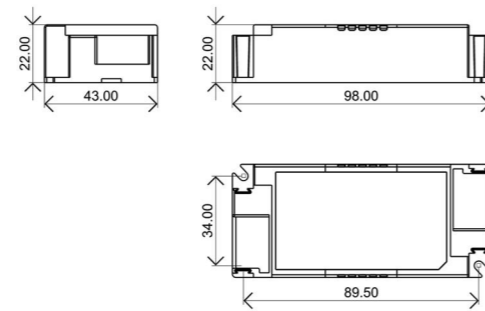


Model 型号	Power 功率	Input Voltage 输入电压	Output Current 输出电流	Output Voltage 输出电压	Efficiency 效率	Power Factor 功率因数	Size (L*W*H) 尺寸
FLS-42-1050 DALI-2 LD ADV	42W	220-240VAC	150-1050mA	2.5-52V	87%	0.95	97*43*30mm

迷你型 - 智能系列

DALI-2

- 可适配I/ II类灯具 (20W仅适配II类灯具)
- For luminaire of protection class I and class II (20W only for protection class II)
- 隔离/安全低电压/内置式/独立式 (带侧盖)
- Isolated/ SELV/ Built-in/ Independent(With side caps)
- 输入电压 220-240VAC
- Input voltage: 220-240VAC
- 多重保护: 短路保护、过载保护、过压保护、过温保护
- Protections: SCP/ OLP/ OVP/ OTP
- 支持DALI、PUSH调光, 走廊模式
- Support DALI, PUSH dimming, corridor mode
- 调光范围: 1%-100%
- Dimming range 1%-100%
- 拨码调节输出电流
- Output current adjusted via DIP-switch
- 含DALI协议251、252、253
- DALI-2 Parts 251, 252, 253
- 效率>90%; 功率因数>0.95
- Efficiency>90%; Power factor>0.95
- 适用于应急照明, 符合EN 50172
- Suitable for emergency lighting acc. to EN 50172
- 22mm高
- 22mm height
- 5年质保
- 5 years warranty
- Ta, Tc: 45°C/ 85°C
- Ta, Tc: 45°C/ 85°C



Model 型号	Power 功率	Input Voltage 输入电压	Output Current 输出电流	Output Voltage 输出电压	Efficiency 效率	Power Factor 功率因数	Size (L*W*H) 尺寸
FLS-20-500 DALI-2 LD PRO	20W	220-240VAC	80-500mA	2.5-49V	87%	0.95	88*40*22mm
FLS-30-700 DALI-2 LD PRO	30W	220-240VAC	150-700mA	2.5-49V	90%	0.95	98*43*22mm
FLS-42-1050 DALI-2 LD PRO	42W	220-240VAC	300-1050mA	2.5-49V	90%	0.95	98*43*22mm
FLS-42-1050 DALI-2 LD1 PRO	42W	220-240VAC	150-1050mA	2.5-49V	90%	0.95	98*43*22mm
FLS-60-1500 DALI-2 LD PRO	60W	220-240VAC	900-1500mA	9-49V	90%	0.95	113*43*25mm

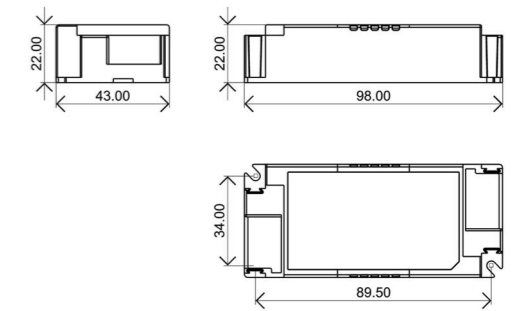
迷你型 - 智能系列

DALI-2 千一调光

- 可适配I/ II类灯具
- For luminaire of protection class I and class II
- 隔离/安全低电压/内置式/独立式 (带侧盖)
- Isolated/ SELV/ Built-in/ Independent(With side caps)
- 输入电压 220-240VAC
- Input voltage: 220-240VAC
- 多重保护: 短路保护、过载保护、过压保护、过温保护
- Protections: SCP/ OLP/ OVP/ OTP
- 支持DALI、PUSH调光, 走廊模式
- Support DALI, PUSH dimming, corridor mode
- 调光范围: 0.1%-100%
- Dimming range 0.1%-100%
- 拨码调节输出电流
- Output current adjusted via DIP-switch
- 含DALI协议251、252、253
- DALI-2 Parts 251, 252, 253
- 效率>90%; 功率因数>0.95
- Efficiency>90%; Power factor>0.95
- 适用于应急照明, 符合EN 50172
- Suitable for emergency lighting acc. to EN 50172
- 22mm高
- 22mm height
- 5年质保
- 5 years warranty
- Ta, Tc: 45°C/ 85°C
- Ta, Tc: 45°C/ 85°C



0.1%-100%

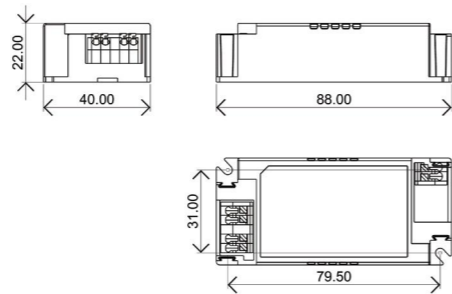


Model 型号	Power 功率	Input Voltage 输入电压	Output Current 输出电流	Output Voltage 输出电压	Efficiency 效率	Power Factor 功率因数	Size (L*W*H) 尺寸
FLS-42-1050 DALI-2 LD2 PRO	42W	220-240VAC	300-1050mA	2.5-49V	90%	0.95	98*43*22mm

迷你型 - 智能系列

DALI-2+NFC

- 可适配I/ II类灯具
- For luminaire of protection class I and class II
- 隔离/安全低电压/内置式/独立式 (带侧盖)
- Isolated/ SELV/ Built-in/ Independent(With side caps)
- 输入电压 220-240VAC
- Input voltage: 220-240VAC
- 多重保护: 短路保护、过载保护、过压保护、过温保护
- Protections: SCP/ OLP/ OVP/ OTP
- 支持DALI、PUSH调光, 走廊模式
- Support DALI, PUSH dimming, corridor mode
- 调光范围: 1%-100%
- Dimming range 1%-100%
- NFC调节输出电流
- Output current adjusted via NFC
- 含DALI协议251、252、253
- DALI-2 Parts 251, 252, 253
- 效率>89%; 功率因数>0.95
- Efficiency>89%; Power factor>0.95
- 适用于应急照明, 符合EN 50172
- Suitable for emergency lighting acc. to EN 50172
- 22mm高
- 22mm height
- 5年质保
- 5 years warranty
- Ta, Tc: 45°C/ 85°C
- Ta, Tc: 45°C/ 85°C

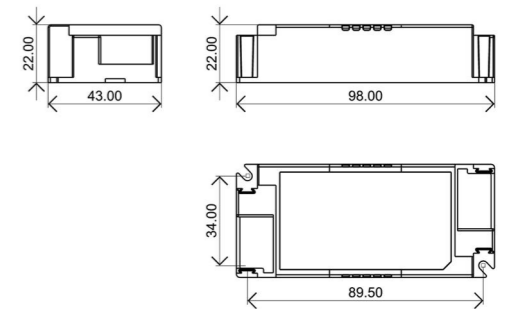
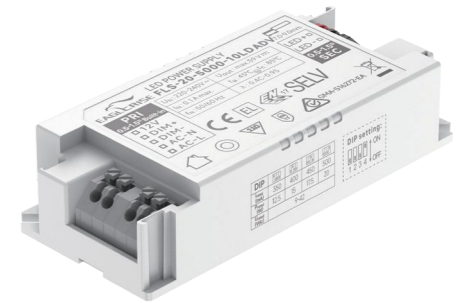


Model 型号	Power 功率	Input Voltage 输入电压	Output Current 输出电流	Output Voltage 输出电压	Efficiency 效率	Power Factor 功率因数	Size (L*W*H) 尺寸
FLS-20-500 DALI-2 LN PRO	20W	220-240VAC	80-500mA	2.5-49V	87%	0.95	88*40*22mm
FLS-30-700 DALI-2 LN PRO	30W	220-240VAC	150-700mA	2.5-49V	89%	0.95	98*43*22mm

迷你型 - 智能系列

0-10V

- 可适配I/ II类灯具
- For luminaire of protection class I and class II
- 隔离/安全低电压/内置式/独立式 (带侧盖)
- Isolated/ SELV/ Built-in/ Independent(With side caps)
- 输入电压 220-240VAC
- Input voltage: 220-240VAC
- 多重保护: 短路保护、过载保护、过压保护、过温保护
- Protections: SCP/ OLP/ OVP/ OTP
- 0-10V调光
- Dimmable via 0-10V
- 调光范围: 1%-100%
- Dimming range 1%-100%
- 拨码调节输出电流
- Output current adjusted via DIP-switch
- 效率>88%; 功率因数>0.95
- Efficiency>88%; Power factor>0.95
- 22mm高
- 22mm height
- 5年质保
- 5 years warranty
- Ta, Tc: 45°C/ 85°C
- Ta, Tc: 45°C/ 85°C



Model 型号	Power 功率	Input Voltage 输入电压	Output Current 输出电流	Output Voltage 输出电压	Efficiency 效率	Power Factor 功率因数	Size (L*W*H) 尺寸
FLS-20-500 0-10 LD ADV	20W	220-240VAC	350-500mA	9-42V	84%	0.95	98*43*22mm
FLS-32-700 0-10 LD ADV	32W	220-240VAC	550-700mA	9-42V	85%	0.95	98*43*22mm
FLS-42-1050 0-10 LD ADV	42W	220-240VAC	700-1050mA	9-42V	86%	0.95	113*43*25mm
FLS-60-1050 0-10 LD ADV	60W	220-240VAC	1150-1500mA	9-42V	88%	0.95	123*43*25mm

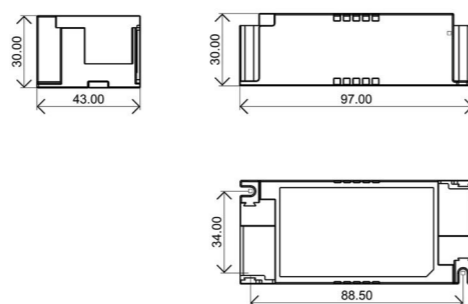
迷你型 - 智能系列

无线

- 可适配I/ II类灯具
- For luminaire of protection class I and class II
- 隔离/安全低电压/内置式/独立式 (带侧盖)
- Isolated/ SELV/ Built-in/ Independent(With side caps)
- 输入电压 220-240VAC
- Input voltage: 220-240VAC
- 多重保护: 短路保护、过载保护、过压保护、过温保护
- Protections: SCP/ OLP/ OVP/ OTP
- 支持CASAMBI调光
- CASAMBI dimming
- 调光范围: 1%-100%
- Dimming range 1%-100%
- 拨码调节输出电流, 共16个电流档
- Output current adjusted via DIP-switch, 16 current steps
- 效率>89%; 功率因数>0.95
- Efficiency>89%; Power factor>0.95
- 适用于应急照明, 符合EN 50172
- Suitable for emergency lighting acc. to EN 50172
- 5年质保
- 5 years warranty
- Ta, Tc: 45°C/ 85°C
- Ta, Tc: 45°C/ 85°C

CASAMBI

CE CB EL SELV



Model 型号	Power 功率	Input Voltage 输入电压	Output Current 输出电流	Output Voltage 输出电压	Efficiency 效率	Power Factor 功率因数	Size (L*W*H) 尺寸
FLS-42-1050 Blue LD-CSB ADV	42W	220-240VAC	150-1050mA	2.5-49V	89%	0.95	97*43*30mm

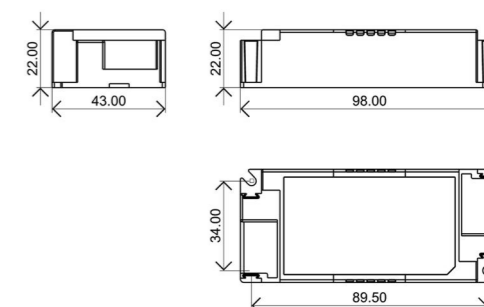
迷你型

高效

94%

- 可适配I/ II类灯具
- For luminaire of protection class I and class II
- 隔离/安全低电压/内置式/独立式 (带侧盖)
- Isolated/ SELV/ Built-in/ Independent(With side caps)
- 输入电压 220-240VAC
- Input voltage: 220-240VAC
- 多重保护: 短路保护、过载保护、过压保护、过温保护
- Protections: SCP/ OLP/ OVP/ OTP
- 拨码调节输出电流
- Output current adjusted via DIP-switch
- 效率>94%; 功率因数>0.95
- Efficiency>94%; Power factor>0.95
- 适用于应急照明, 符合EN 50172
- Suitable for emergency lighting acc. to EN 50172
- 22mm高
- 22mm高
- 5年质保
- 5 years warranty
- Ta, Tc: 45°C/ 85°C
- Ta, Tc: 45°C/ 85°C

CE CB EL SELV



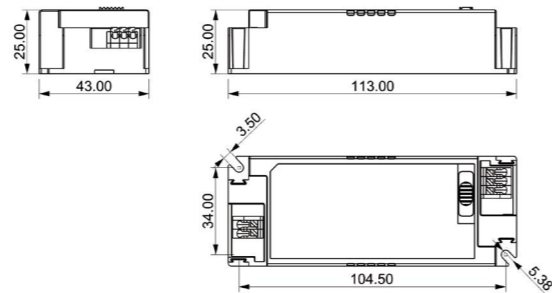
Model 型号	Power 功率	Input Voltage 输入电压	Output Current 输出电流	Output Voltage 输出电压	Efficiency 效率	Power Factor 功率因数	Size (L*W*H) 尺寸
FLS-20-500 LD1 PRO	20W	220-240VAC	350-500mA	27-40V	93%	0.95	98*43*22mm
FLS-30-700 LD1 PRO	30W	220-240VAC	550-700mA	27-40V	94%	0.95	98*43*22mm
FLS-38-900 LD1 PRO	38W	220-240VAC	750-900mA	27-40V	94%	0.95	98*43*22mm
FLS-42-1050 LD1 PRO	42W	220-240VAC	900-1050mA	27-40V	94%	0.95	98*43*22mm

迷你型

色温可调

- 可适配I/ II类灯具
- For luminaire of protection class I and class II
- 隔离/安全低电压/内置式/独立式（带侧盖）
- Isolated/ SELV/ Built-in/ Independent(With side caps)
- 输入电压 220-240VAC
- Input voltage: 220-240VAC
- 多重保护：短路保护、过载保护、过压保护、过温保护
- Protections: SCP/ OLP/ OVP/ OTP
- 拨码调节输出电流
- Output current adjusted via DIP-switch
- 拨码调节色温
- CCT adjustable via DIP-switch
- 效率>90%; 功率因数>0.95
- Efficiency>90%; Power factor>0.95
- 5年质保
- 5 years warranty
- Ta, Tc: 45°C/ 85°C
- Ta, Tc: 45°C/ 85°C

CE CB SELV



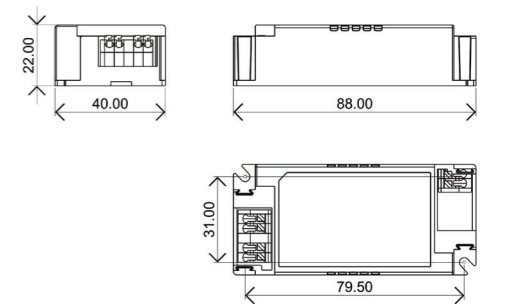
Model 型号	Power 功率	Input Voltage 输入电压	Output Current 输出电流	Output Voltage 输出电压	Efficiency 效率	Power Factor 功率因数	Size (L*W*H) 尺寸
FLS-36-850 CCT LD	36W	220-240VAC	550-850mA	30-40V	90%	0.95	113*43*25mm
FLS-42-1050 CCT LD	42W	220-240VAC	500-1050mA	30-42V	90%	0.95	113*43*25mm

迷你型

拨码

- 可适配I/ II类灯具
- For luminaire of protection class I and class II
- 隔离/安全低电压/内置式/独立式（带侧盖）
- Isolated/ SELV/ Built-in/ Independent(With side caps)
- 输入电压 220-240VAC
- Input voltage: 220-240VAC
- 多重保护：短路保护、过载保护、过压保护、过温保护
- Protections: SCP/ OLP/ OVP/ OTP
- 拨码调节输出电流，共4个电流档
- Output current adjusted via DIP-switch, 4 current steps
- 22mm高
- 22mm height
- 效率>90%; 功率因数>0.95
- Efficiency>90%; Power factor>0.95
- 适用于应急照明，符合EN 50172
- Suitable for emergency lighting acc. to EN 50172
- 5年质保
- 5 years warranty
- Ta, Tc: 45°C/ 90°C
- Ta, Tc: 45°C/ 90°C

CE CB CC EL SELV



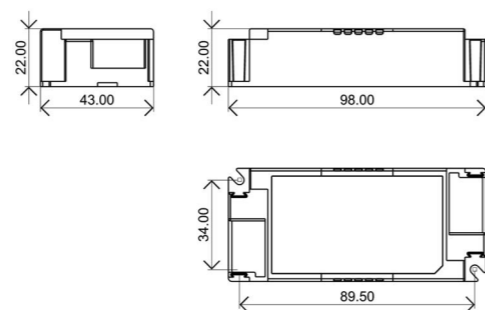
Model 型号	Power 功率	Input Voltage 输入电压	Output Current 输出电流	Output Voltage 输出电压	Efficiency 效率	Power Factor 功率因数	Size (L*W*H) 尺寸
FLS-21-500 LD1 EXC	21W	220-240VAC	350-500mA	27-42V	85%	0.95	88*40*22mm
FLS-30-700 LD1 EXC	30W	220-240VAC	550-700mA	9-42V	89%	0.95	88*40*22mm
FLS-38-900 LD1 EXC	38W	220-240VAC	750-900mA	9-42V	89%	0.95	88*40*22mm
FLS-40-1050 LD1 EXC	40W	220-240VAC	900-1050mA	9-42V	90%	0.95	88*40*22mm

迷你型

拨码

- 可适配I/ II类灯具
· For luminaire of protection class I and class II
- 隔离/安全低电压/内置式/独立式 (带侧盖)
· Isolated/ SELV/ Built-in/ Independent(With side caps)
- 输入电压 220-240VAC
· Input voltage: 220-240VAC
- 多重保护: 短路保护、过载保护、过压保护、过温保护
· Protections: SCP/ OLP/ OVP/ OTP
- 拨码调节输出电流
· Output current adjusted via DIP-switch
- 22mm高
· 22mm height
- 效率>89%; 功率因数>0.95
· Efficiency>89%; Power factor>0.95
- 适用于应急照明, 符合EN 50172
· Suitable for emergency lighting acc. to EN 50172
- 5年质保
· 5 years warranty
- Ta, Tc: 45°C/ 80°C
· Ta, Tc: 45°C/ 80°C

CE CB CCC SAA EL SELV



Model 型号	Power 功率	Input Voltage 输入电压	Output Current 输出电流	Output Voltage 输出电压	Efficiency 效率	Power Factor 功率因数	Size (L*W*H) 尺寸
FLS-42-1050 LD PRO	42W	220-240VAC	150-1050mA	2.5-42V	89%	0.95	98*43*22mm
FLS-42-1050 LD1 ADV	42W	220-240VAC	300-1050mA	9-40V	89%	0.95	98*43*22mm

导轨电源

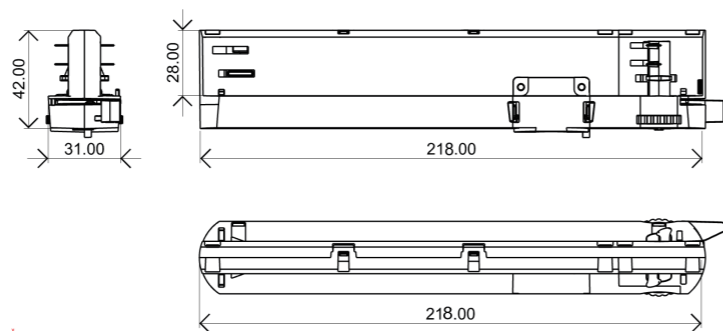
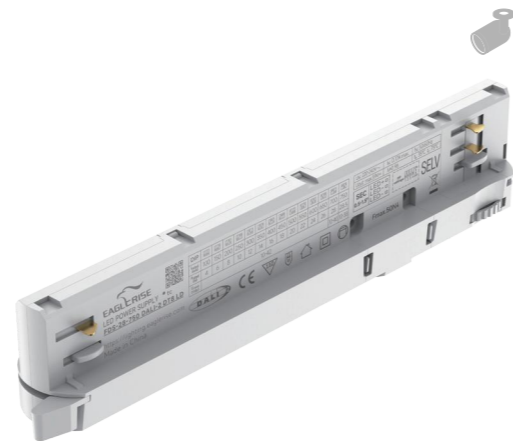
LED DRIVER TRACK SERIES

应用场景：
导轨灯

导轨电源 - 智能系列

DALI-2 DT8

- 可适配II类灯具
- For luminaire of protection class II
- 隔离/安全低电压
- Isolated/ SELV
- 输入电压 220-240VAC
- Input voltage: 220-240VAC
- 多重保护：短路保护、过载保护、过压保护、过温保护
- Protections: SCP/ OLP/ OVP/ OTP
- DT8色温可调, PUSH调光, 走廊模式
- Tunable white DT8, PUSH dimming, corridor mode
- 含DALI协议251、252、253
- DALI-2 Parts 251, 252 and 253
- 调光范围：1%-100%
- Dimming range 1%-100%
- 拨码调节输出电流, 共14个电流档
- Output current adjusted via DIP-switch, 14 current steps
- 6线3回路DALI导轨系统
- 6 Wires 3 Circuit DALI Track System
- 效率>88%; 功率因数>0.95
- Efficiency>88%; Power factor>0.95
- 适配主流品牌轨道
- Adaptation to mainstream brands of track
- 黑白灰三色可选
- Available in black, white and grey
- 5年质保
- 5 years warranty
- Ta, Tc: 35°C/ 80°C
- Ta, Tc: 35°C/ 80°C

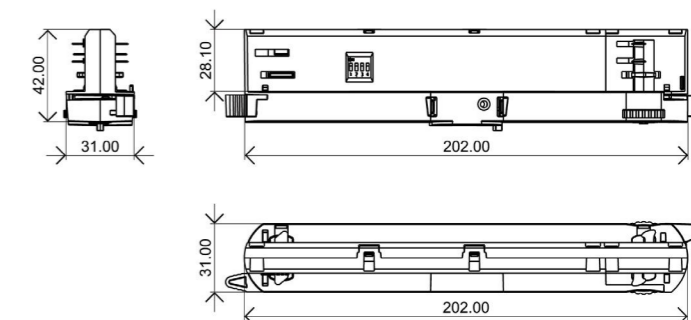


Model 型号	Power 功率	Input Voltage 输入电压	Output Current 输出电流	Output Voltage 输出电压	Efficiency 效率	Power Factor 功率因数	Size (L*W*H) 尺寸
FDS-28-750 DALI-2 DT8 LD	28W	220-240VAC	100-750mA	10-42V	88%	0.95	218*31*42mm

导轨电源 - 智能系列

DALI-2

- 可适配II类灯具
- For luminaire of protection class II
- 隔离/安全低电压
- Isolated/ SELV
- 输入电压 220-240VAC
- Input voltage: 220-240VAC
- 多重保护：短路保护、过载保护、过压保护、过温保护
- Protections: SCP/ OLP/ OVP/ OTP
- DALI调光, PUSH调光, 走廊模式
- DALI dimming, PUSH dimming, corridor mode
- 含DALI协议251、252、253
- DALI-2 Parts 251, 252 and 253
- 调光范围：1%-100%
- Dimming range 1%-100%
- 拨码调节输出电流, 共16个电流档
- Output current adjusted via DIP-switch, 16 current steps
- 6线3回路DALI导轨系统
- 6 Wires 3 Circuit DALI Track System
- 效率>89%; 功率因数>0.95
- Efficiency>89%; Power factor>0.95
- 适配主流品牌轨道
- Adaptation to mainstream brands of track
- 黑白灰三色可选
- Available in black, white and grey
- 5年质保
- 5 years warranty
- Ta, Tc: 35°C/ 85°C
- Ta, Tc: 35°C/ 80°C

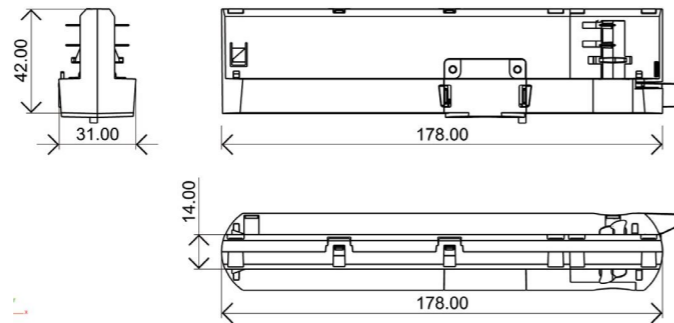
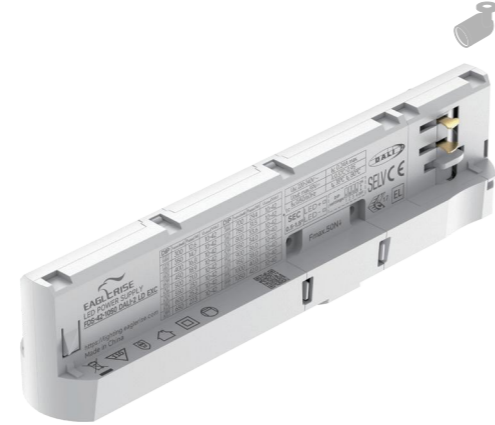


Model 型号	Power 功率	Input Voltage 输入电压	Output Current 输出电流	Output Voltage 输出电压	Efficiency 效率	Power Factor 功率因数	Size (L*W*H) 尺寸
FDS-42-1050 DALI-2 LD PRO	42W	220-240VAC	300-1050mA	2.5-42V	89%	0.95	202*31*42mm

导轨电源 - 智能系列

DALI-2

- 可适配II类灯具
- For luminaire of protection class II
- 隔离/安全低电压
- Isolated/ SELV
- 输入电压 220-240VAC
- Input voltage: 220-240VAC
- 多重保护：短路保护、过载保护、过压保护、过温保护
- Protections: SCP/ OLP/ OVP/ OTP
- DALI调光, PUSH调光, 走廊模式
- DALI dimming, PUSH dimming, corridor mode
- 含DALI协议251、252、253
- DALI-2 Parts 251, 252 and 253
- 调光范围：1%-100%
- Dimming range 1%-100%
- 拨码调节输出电流，共16个电流档
- Output current adjusted via DIP-switch, 16 current steps
- 4线DALI导轨系统
- 4 Wires DALI Track System
- 效率>88%; 功率因数>0.95
- Efficiency>88%; Power factor>0.95
- 适配主流品牌轨道
- Adaptation to mainstream brands of track
- 黑白灰三色可选
- Available in black, white and grey
- 5年质保
- 5 years warranty
- Ta, Tc: 35°C/ 85°C
- Ta, Tc: 35°C/ 80°C

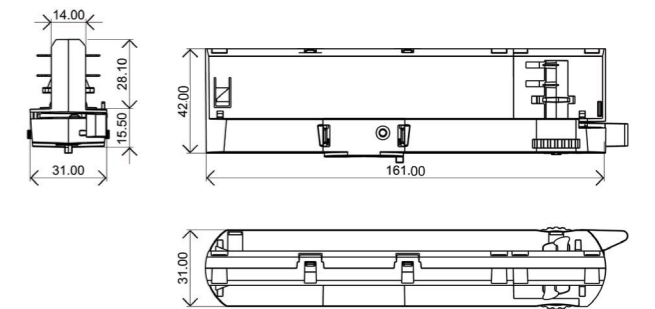


Model 型号	Power 功率	Input Voltage 输入电压	Output Current 输出电流	Output Voltage 输出电压	Efficiency 效率	Power Factor 功率因数	Size (L*W*H) 尺寸
FDS-42-1050 DALI-2 LD EXC	42W	220-240VAC	300-1050mA	10-42V	88%	0.95	178*31*42mm

导轨电源 - 智能系列

CASAMBI

- 可适配II类灯具
- For luminaire of protection class II
- 隔离/安全低电压
- Isolated/ SELV
- 输入电压 220-240VAC
- Input voltage: 220-240VAC
- 多重保护：短路保护、过载保护、过压保护、过温保护
- Protections: SCP/ OLP/ OVP/ OTP
- CASAMBI调光
- CASAMBI dimming
- 调光范围：1%-100%
- Dimming range 1%-100%
- NFC调节输出电流
- Output current adjusted via NFC
- 4线3回路导轨系统
- 4 Wires 3 Circuit Track System
- 效率>89%; 功率因数>0.95
- Efficiency>89%; Power factor>0.95
- 适配主流品牌轨道
- Adaptation to mainstream brands of track
- 黑白灰三色可选
- Available in black, white and grey
- 5年质保
- 5 years warranty
- Ta, Tc: 35°C/ 85°C
- Ta, Tc: 35°C/ 80°C

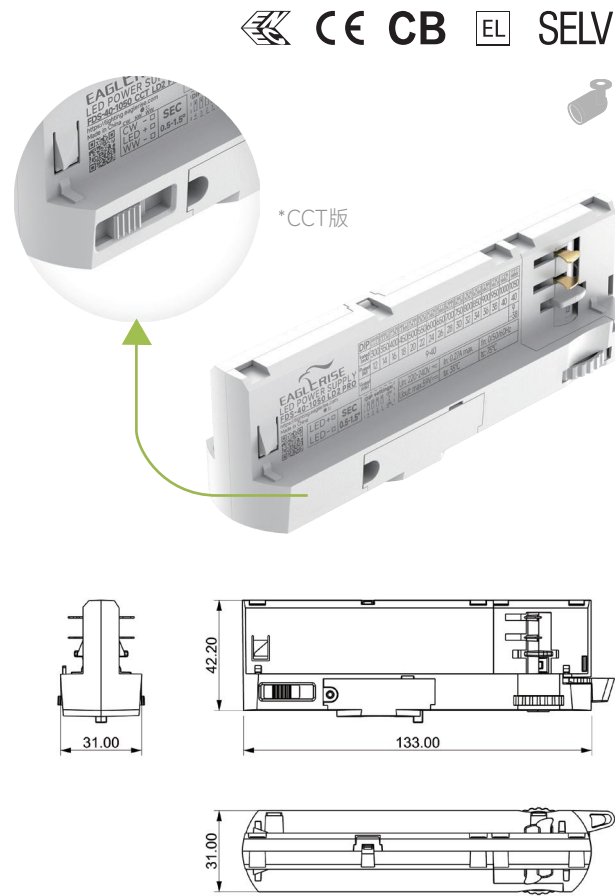


Model 型号	Power 功率	Input Voltage 输入电压	Output Current 输出电流	Output Voltage 输出电压	Efficiency 效率	Power Factor 功率因数	Size (L*W*H) 尺寸
FDS-32-800 Blue LN-CSB	32W	220-240VAC	200-800mA	2.5-42V	89%	0.95	161*31*42mm

导轨电源 - 拨码系列

四线

- 可适配II类灯具
· For luminaire of protection class II
- 隔离/安全低电压
· Isolated/ SELV
- 输入电压 220-240VAC
· Input voltage: 220-240VAC
- 多重保护：短路保护、过载保护、过压保护、过温保护
· Protections: SCP/ OLP/ OVP/ OTP
- 拨码调节输出电流
· Output current adjusted via DIP-switch
- 色温通过拨码可调
· Optional CCT
- 4线3回路导轨系统
· 4 Wires 3 Circuit Track System
- 效率>90%; 功率因数>0.95
· Efficiency>90%; Power factor>0.95
- 适配主流品牌轨道
· Adaptation to mainstream brands of track
- 黑白灰三色可选
· Available in black, white and grey
- 5年质保
· 5 years warranty
- Ta, Tc: 35°C/ 75°C
· Ta, Tc: 35°C/ 75°C

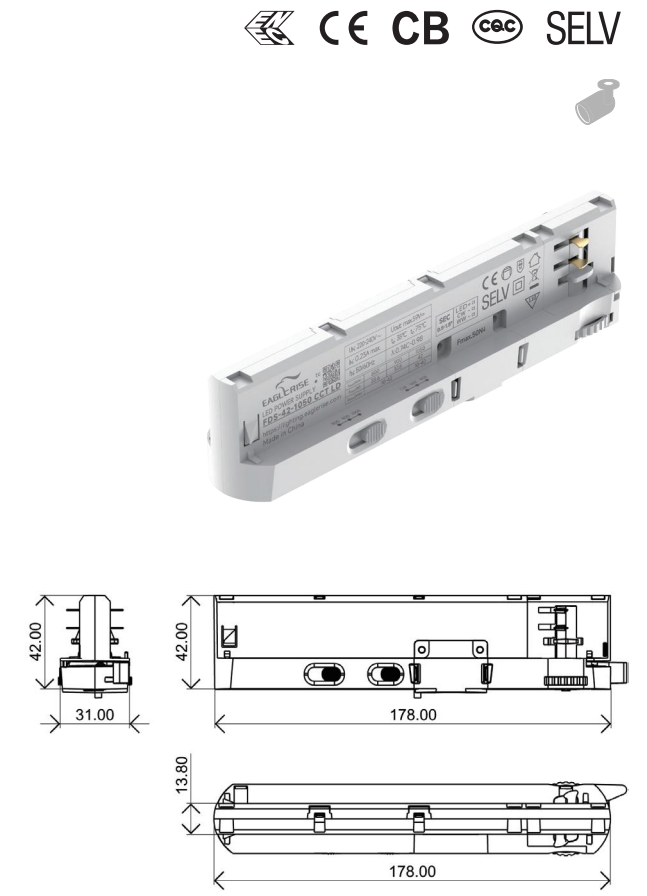


CE CB EL SELV

导轨电源 - 拨码系列

四线

- 可适配II类灯具
· For luminaire of protection class II
- 隔离/安全低电压
· Isolated/ SELV
- 输入电压 220-240VAC
· Input voltage: 220-240VAC
- 多重保护：短路保护、过载保护、过压保护、过温保护
· Protections: SCP/ OLP/ OVP/ OTP
- 拨码调节输出电流
· Output current adjusted via DIP-switch
- 4线3回路导轨系统
· 4 Wires 3 Circuit Track System
- 色温通过拨码可调
· Flexible CCT setting via 3-way DIP-switch
- 效率>89%; 功率因数>0.95
· Efficiency>89%; Power factor>0.95
- 适配主流品牌轨道
· Adaptation to mainstream brands of track
- 黑白灰三色可选
· Available in black, white and grey
- 5年质保
· 5 years warranty
- Ta, Tc: 35°C/ 75°C
· Ta, Tc: 35°C/ 75°C



CE CB CCC SELV

Model 型号	Power 功率	Input Voltage 输入电压	Output Current 输出电流	Output Voltage 输出电压	Efficiency 效率	Power Factor 功率因数	Size (L*W*H) 尺寸
FDS-40-1050 CCT LD2 PRO	40W	220-240VAC	300-1050mA	9-40V	90%	0.95	133*31*42mm
FDS-40-1050 LD2 PRO	40W	220-240VAC	300-1050mA	9-40V	90%	0.95	133*31*42mm

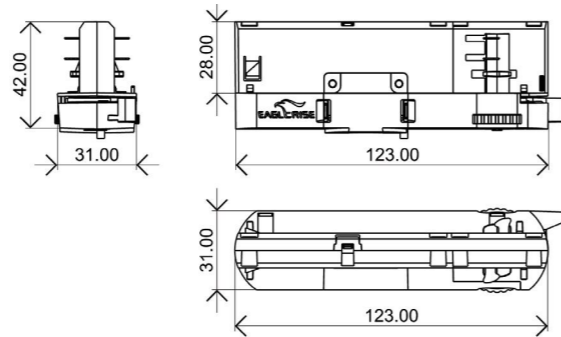
Model 型号	Power 功率	Input Voltage 输入电压	Output Current 输出电流	Output Voltage 输出电压	Efficiency 效率	Power Factor 功率因数	Size (L*W*H) 尺寸
FDS-42-1050 CCT LD	42W	220-240VAC	800-900-1050mA	10-42V	89%	0.95	178*31*42mm

导轨电源 - 拨码系列

四线

- 可适配II类灯具
- For luminaire of protection class II
- 隔离/安全低电压
- Isolated/ SELV
- 输入电压 220-240VAC
- Input voltage: 220-240VAC
- 多重保护：短路保护、过载保护、过压保护、过温保护
- Protections: SCP/ OLP/ OVP/ OTP
- 拨码调节输出电流
- Output current adjusted via DIP-switch
- 4线3回路导轨系统
- 4 Wires 3 Circuit Track System
- 效率>90%; 功率因数>0.95
- Efficiency>90%; Power factor>0.95
- 适配主流品牌轨道
- Adaptation to mainstream brands of track
- 黑白灰三色可选
- Available in black, white and grey
- 123/133mm长
- Length: 123/133mm
- 5年质保
- 5 years warranty
- Ta, Tc: 35°C/ 75°C
- Ta, Tc: 35°C/ 75°C

CE CB SELV



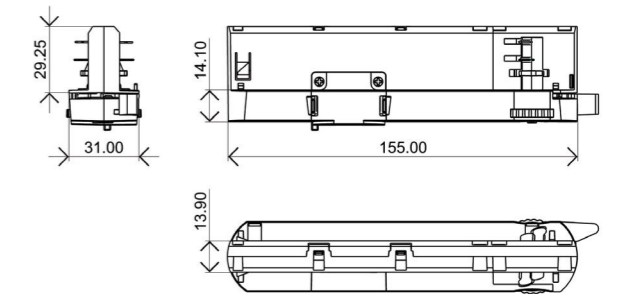
Model 型号	Power 功率	Input Voltage 输入电压	Output Current 输出电流	Output Voltage 输出电压	Efficiency 效率	Power Factor 功率因数	Size (L*W*H) 尺寸
FDS-20-500 LD EXC S	20W	220-240VAC	150-500mA	10-40V	90%	0.95	123*31*42mm
FDS-28-750 LD EXC S	28W	220-240VAC	100-750mA	10-40V	88%	0.95	123*31*42mm
FDS-42-1050 LD EXC S	42W	220-240VAC	700-1050mA	10-42V	90%	0.95	133*31*42mm

导轨电源 - 拨码系列

四线

- 可适配II类灯具
- For luminaire of protection class II
- 隔离/安全低电压
- Isolated/ SELV
- 输入电压 220-240VAC
- Input voltage: 220-240VAC
- 多重保护：短路保护、过载保护、过压保护、过温保护
- Protections: SCP/ OLP/ OVP/ OTP
- 拨码调节输出电流，共6个电流档
- Output current adjusted via DIP-switch, 6 current steps
- 4线3回路导轨系统
- 4 Wires 3 Circuit Track System
- 效率>90%; 功率因数>0.95
- Efficiency>90%; Power factor>0.95
- 适配主流品牌轨道
- Adaptation to mainstream brands of track
- 黑白灰三色可选
- Available in black, white and grey
- 5年质保
- 5 years warranty
- Ta, Tc: 35°C/ 75°C
- Ta, Tc: 35°C/ 75°C

CE CB SELV



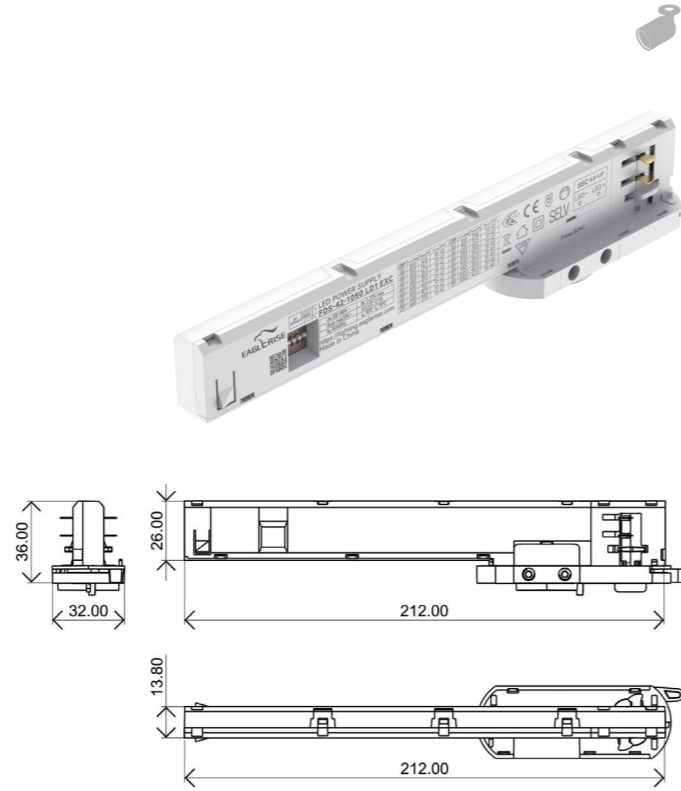
Model 型号	Power 功率	Input Voltage 输入电压	Output Current 输出电流	Output Voltage 输出电压	Efficiency 效率	Power Factor 功率因数	Size (L*W*H) 尺寸
FDS-18-450 LD2 EXC	18W	220-240VAC	200-450mA	24-42V	89%	0.95	155*31*42mm
FDS-30-750 LD2 EXC	30W	220-240VAC	500-750mA	24-42V	90%	0.95	155*31*42mm
FDS-42-1050 LD2 EXC	42W	220-240VAC	800-1050mA	24-42V	90%	0.95	155*31*42mm

导轨电源 - 拨码系列

四线

- 可适配II类灯具
· For luminaire of protection class II
- 隔离/安全低电压
· Isolated/ SELV
- 输入电压 220-240VAC
· Input voltage: 220-240VAC
- 多重保护：短路保护、过载保护、过压保护、过温保护
· Protections: SCP/ OLP/ OVP/ OTP
- 拨码调节输出电流，共16个电流档
· Output current adjusted via DIP-switch, 16 current steps
- 4线3回路导轨系统
· 4 Wires 3 Circuit Track System
- 半隐藏式设计
· Semi-hidden type
- 效率>89%；功率因数>0.95
· Efficiency>89%；Power factor>0.95
- 适配主流品牌轨道
· Adaptation to mainstream brands of track
- 黑白灰三色可选
· Available in black, white and grey
- 5年质保
· 5 years warranty
- Ta, Tc: 35°C/ 75°C
· Ta, Tc: 35°C/ 75°C

CE CB ccc SELV



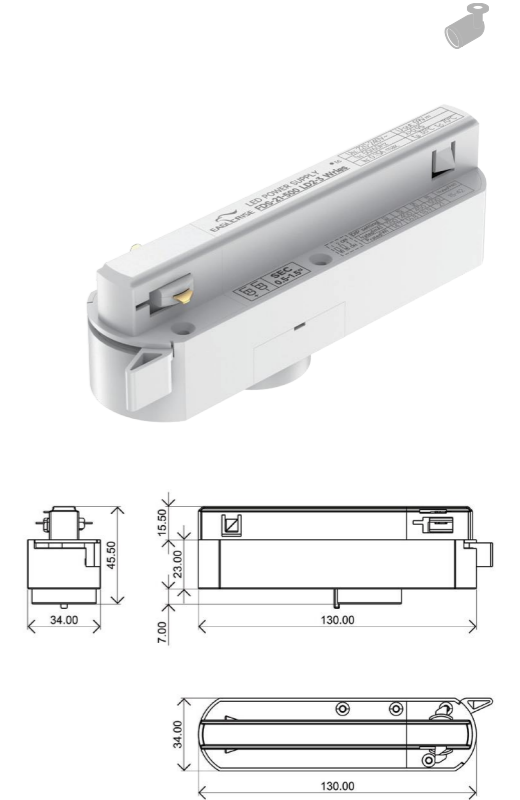
Model 型号	Power 功率	Input Voltage 输入电压	Output Current 输出电流	Output Voltage 输出电压	Efficiency 效率	Power Factor 功率因数	Size (L*W*H) 尺寸
FDS-42-1050 LD1 EXC	42W	220-240VAC	300-1050mA	10-42V	89%	0.95	212*32*36mm

导轨电源 - 拨码系列

三线

- 可适配II类灯具
· For luminaire of protection class II
- 隔离/安全低电压
· Isolated/ SELV
- 输入电压 220-240VAC
· Input voltage: 220-240VAC
- 多重保护：短路保护、过载保护、过压保护、过温保护
· Protections: SCP/ OLP/ OVP/ OTP
- 拨码调节输出电流，共4个电流档
· Output current adjusted via DIP-switch, 4 current steps
- 3线单回路导轨系统
· 3 Wires Single Circuit Track System
- 效率>89.5%；功率因数>0.95
· Efficiency>89.5%；Power factor>0.95
- 适配主流品牌轨道
· Adaptation to mainstream brands of track
- 黑白灰三色可选
· Available in black, white and grey
- 5年质保
· 5 years warranty
- Ta, Tc: 35°C/ 75°C
· Ta, Tc: 35°C/ 75°C

CB ccc SELV



Model 型号	Power 功率	Input Voltage 输入电压	Output Current 输出电流	Output Voltage 输出电压	Efficiency 效率	Power Factor 功率因数	Size (L*W*H) 尺寸
FDS-12-300 LD2-3 Wires	12W	220-240VAC	150-300mA	15-42V	85%	0.95	130*34*45.5mm
FDS-21-500 LD2-3 Wires	21W	220-240VAC	350-500mA	15-42V	88%	0.95	130*34*45.5mm
FDS-30-750 LD2-3 Wires	30W	220-240VAC	600-750mA	15-42V	89.5%	0.95	130*34*45.5mm
FDS-42-1050 LD2-3 Wires	42W	220-240VAC	700-1050mA	15-42V	89.5%	0.95	130*34*45.5mm

恒压 系列

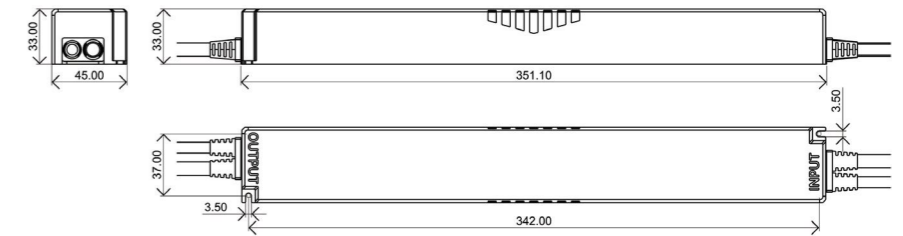
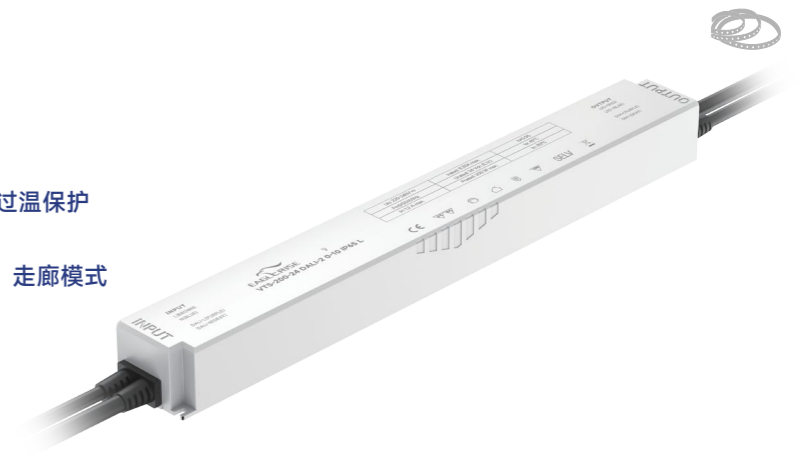
LED DRIVER
C.V. SERIES

应用场景：
LED灯带

恒压 - 智能系列 DALI-2+0-10V



- 可适配I/ II类灯具
· For luminaire of protection class I and class II
- 隔离/安全低电压/独立式
· Isolated/ SELV/ Independent
- 输入电压 220-240VAC
· Input voltage: 220-240VAC
- 多重保护：短路保护、过载保护、过压保护、过温保护
· Protections: SCP/ OLP/ OVP/ OTP
- 支持DALI、PUSH、0-10V、PWM、RX调光，走廊模式
· Support DALI, PUSH, 0-10V, PWM, RX dimming, corridor mode
- 含DALI协议251, 252, 253
· DALI-2 Parts 251, 252, 253
- 调光范围：1%-100%
· Dimming range 1%-100%
- 效率>91%; 功率因数>0.95
· Efficiency>91%; Power factor>0.95
- 5年质保
· 5 years warranty
- Ta, Tc: 45°C/ 80°C
· Ta, Tc: 45°C/ 80°C



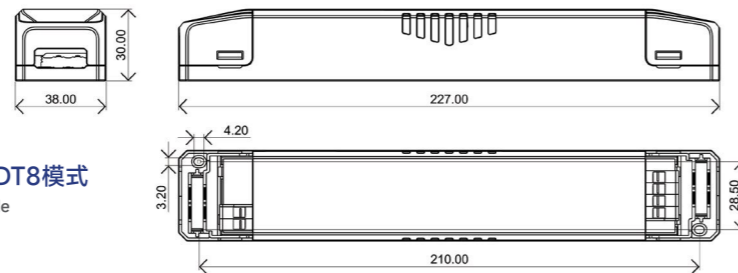
恒压系列

Model 型号	Power 功率	Input Voltage 输入电压	Output Current 输出电流	Output Voltage 输出电压	Efficiency 效率	Power Factor 功率因数	Size (L*W*H) 尺寸
VTS-200-24 DALI-2 0-10 IP65 L	200W	220-240VAC	0-8.33A	24V	91%	0.95	350*45*33mm
VTS-200-24 DALI-2 0-10 L	200W	220-240VAC	0-8.33A	24V	91%	0.95	350*45*33mm

恒压 - 智能系列

DALI-2 DT8+NFC

- 可适配I/ II类灯具
- For luminaire of protection class I and class II
- 隔离/安全低电压/独立式
- Isolated/ SELV/ Independent
- 输入电压 220-240VAC
- Input voltage: 220-240VAC
- 多重保护：短路保护、过载保护、过压保护、过温保护
- Protections: SCP/ OLP/ OVP/ OTP
- DT8色温可调, PUSH调光, 走廊模式
- Tunable white DT8, PUSH dimming, corridor mode
- 含DALI协议209、251、252及253
- DALI-2 Parts 209, 251, 252 and 253
- 调光范围：1%-100%
- Dimming range 1%-100%
- 效率>91%; 功率因数>0.95
- Efficiency>91%; Power factor>0.95
- 5年质保
- 5 years warranty
- Ta, Tc: 45°C/ 80°C
- Ta, Tc: 45°C/ 80°C
- LN ADV版：通过NFC选择DT8或DT6模式；LI1：DT8模式
- LN ADV: DT8 or DT6 switchable by NFC; LI1: can be used in DT8 mode

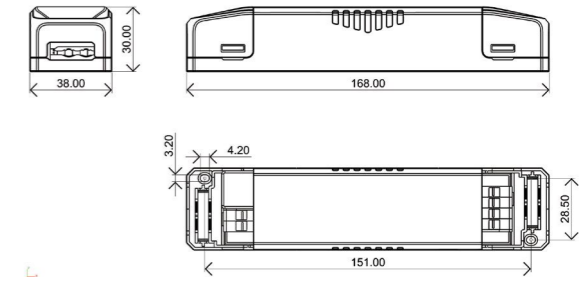


Model 型号	Power 功率	Input Voltage 输入电压	Output Current 输出电流	Output Voltage 输出电压	Efficiency 效率	Power Factor 功率因数	Size (L*W*H) 尺寸
LS-45-24 DALI-2 DT8 LN ADV	45W	220-240VAC	0-1.88A	24V	89%	0.95	227*38*30mm
LS-45-24 DALI-2 DT8 LI1	45W	220-240VAC	0-1.88A	24V	89%	0.95	227*38*30mm
LS-80-24 DALI-2 DT8 LN ADV	80W	220-240VAC	0-3.33A	24V	89%	0.95	318*38*30mm
LS-80-24 DALI-2 DT8 LI1	80W	220-240VAC	0-3.33A	24V	89%	0.95	318*38*30mm
LS-150-24 DALI-2 DT8 LN ADV	150W	220-240VAC	0-6.25A	24V	90%	0.95	318*38*30mm
LS-150-24 DALI-2 DT8 LI1	150W	220-240VAC	0-6.25A	24V	91%	0.95	318*38*30mm

恒压 - 智能系列

DALI-2

- 可适配I/ II类灯具
- For luminaire of protection class I and class II
- 隔离/安全低电压/独立式
- Isolated/ SELV/ Independent
- 输入电压 220-240VAC
- Input voltage: 220-240VAC
- 多重保护：短路保护、过载保护、过压保护、过温保护
- Protections: SCP/ OLP/ OVP/ OTP
- DALI-2调光, PUSH调光, 走廊模式
- DALI-2 dimming, PUSH dimming, corridor mode
- 含DALI协议251, 252, 253
- DALI-2 Parts 251, 252, 253
- 调光范围：1%-100%
- Dimming range 1%-100%
- 效率>91%; 功率因数>0.95
- Efficiency>91%; Power factor>0.95
- 5年质保
- 5 years warranty
- Ta, Tc: 45°C/ 85°C
- Ta, Tc: 45°C/ 85°C

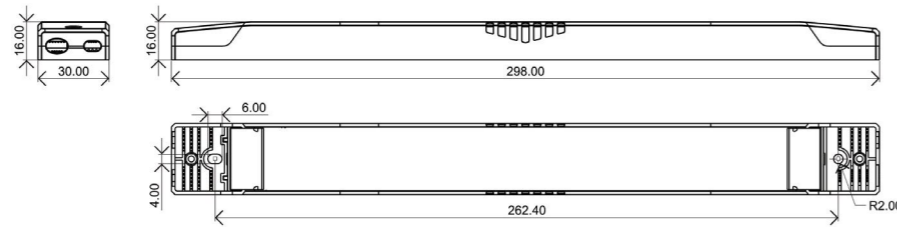


Model 型号	Power 功率	Input Voltage 输入电压	Output Current 输出电流	Output Voltage 输出电压	Efficiency 效率	Power Factor 功率因数	Size (L*W*H) 尺寸
LS-45-24 DALI-2 LI1	45W	220-240VAC	0-1.88A	24V	87%	0.95	168*38*30mm
LS-80-24 DALI-2 LI1	80W	220-240VAC	0-3.33A	24V	89%	0.95	227*38*30mm
LS-150-24 DALI-2 LI1	150W	220-240VAC	0-6.25A	24V	91%	0.95	318*38*30mm
LS-250-24 DALI-2 LI	250W	220-240VAC	0-10.41A	24V	91%	0.95	431*45*30mm

恒压 - 智能系列

DALI-2

- 可适配I/ II类灯具
- For luminaire of protection class I and class II
- 隔离/安全低电压/独立式
- Isolated/ SELV/ Independent
- 输入电压 220-240VAC
- Input voltage: 220-240VAC
- 多重保护：短路保护、过载保护、过压保护、过温保护
- Protections: SCP/ OLP/ OVP/ OTP
- DALI-2调光, PUSH调光, 走廊模式
- DALI-2 dimming, PUSH dimming, corridor mode
- 含DALI协议251, 252, 253
- DALI-2 Parts 251, 252, 253
- 调光范围：1%-100%
- Dimming range 1%-100%
- 效率>90%; 功率因数>0.95
- Efficiency>89%; Power factor>0.95
- 5年质保
- 5 years warranty
- Ta, Tc: 45°C/ 85°C
- Ta, Tc: 45°C/ 85°C

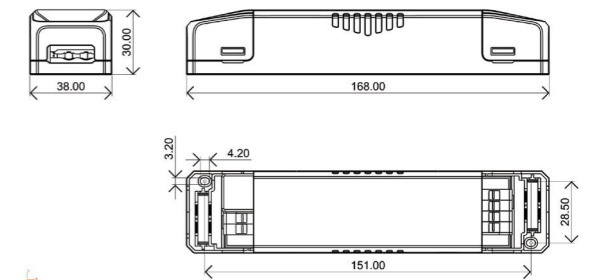


Model 型号	Power 功率	Input Voltage 输入电压	Output Current 输出电流	Output Voltage 输出电压	Efficiency 效率	Power Factor 功率因数	Size (L*W*H) 尺寸
US-60-24 DALI-2 LI	60W	220-240VAC	0-2.5A	24V	85%	0.95	353*30*18mm
US-100-24 DALI-2 LI	100W	220-240VAC	0-4.16A	24V	89%	0.95	353*30*18mm
US-150-24 DALI-2 LI	150W	220-240VAC	0-6.25A	24V	90%	0.95	383*30*18mm

恒压 - 智能系列

0-10V

- 可适配II类灯具
- For luminaire of protection class II
- 隔离/安全低电压/独立式
- Isolated/ SELV/ Independent
- 输入电压 220-240VAC
- Input voltage: 220-240VAC
- 多重保护：短路保护、过载保护、过温保护
- Protections: SCP/ OLP/ OTP
- 效率>92%; 功率因数>0.95
- Efficiency>92%; Power factor>0.95
- 5年质保
- 5 years warranty
- 支持0-10V、电阻、PWM调光
- Support 0-10V, RX, PWM dimming

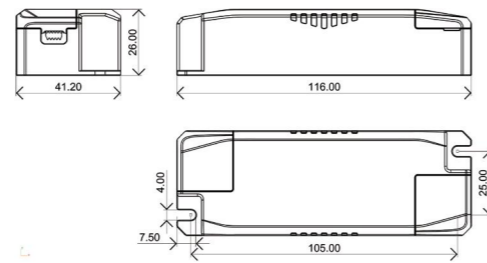


Model 型号	Power 功率	Input Voltage 输入电压	Output Current 输出电流	Output Voltage 输出电压	Efficiency 效率	Power Factor 功率因数	Size (L*W*H) 尺寸
LS-45-24 0-10 LI	45W	220-240VAC	0-1.88A	24V	87%	0.95	168*38*30mm
LS-80-24 0-10 LI	80W	220-240VAC	0-3.33A	24V	89%	0.95	227*38*30mm
LS-150-24 0-10 LI	150W	220-240VAC	0-6.25A	24V	92%	0.95	318*38*30mm
LS-250-24 0-10 LI	250W	220-240VAC	0-10.41A	24V	91%	0.95	431*45*30.5mm

恒压系列 ON/OFF

- 可适配II类灯具
· For luminaire of protection class II
- 隔离/安全低电压/独立式
· Isolated/ SELV/ Independent
- 输入电压 220-240VAC
· Input voltage: 220-240VAC
- 多重保护：短路保护、过载保护、过压保护、过温保护
· Protections: SCP/ OLP/ OVP/ OTP
- 效率>89%; 功率因数>0.95
· Efficiency>89%; Power factor>0.95
- 5年质保
· 5 years warranty
- Ta, Tc: 45°C/ 80°C
· Ta, Tc: 45°C/ 80°C

SELV

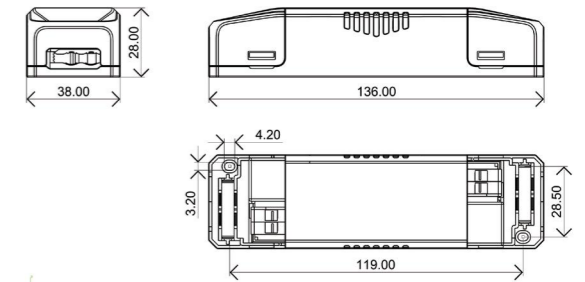


Model 型号	Power 功率	Input Voltage 输入电压	Output Current 输出电流	Output Voltage 输出电压	Efficiency 效率	Power Factor 功率因数	Size (L*W*H) 尺寸
LS-30-12 LI1 EXC	30W	220-240VAC	0-2.5A	12V	86%	0.95	116*41.2*26mm
LS-30-24 LI1 EXC	30W	220-240VAC	0-1.25A	24V	86%	0.95	116*41.2*26mm
LS-30-48 LI1 EXC	30W	220-240VAC	0-0.625A	48V	86%	0.95	116*41.2*26mm
LS-60-12 LI1 EXC	60W	220-240VAC	0-5A	12V	88%	0.95	150*45*30mm
LS-60-24 LI1 EXC	60W	220-240VAC	0-2.5A	24V	88%	0.95	150*45*30mm
LS-75-12 LI1 EXC	75W	220-240VAC	0-6.25A	12V	89%	0.95	150*45*30mm
LS-75-24 LI1 EXC	75W	220-240VAC	0-3.13A	24V	89%	0.95	150*45*30mm

恒压系列 ON/OFF

- 可适配I/ II类灯具
· For luminaire of protection class I and II
- 隔离/安全低电压/独立式
· Isolated/ SELV/ Independent
- 输入电压 220-240VAC
· Input voltage: 220-240VAC
- 多重保护：短路保护、过载保护、过压保护、过温保护
· Protections: SCP/ OLP/ OVP/ OTP
- 效率>93%; 功率因数>0.95
· Efficiency>93%; Power factor>0.95
- 5年质保
· 5 years warranty
- Ta, Tc: 45°C/ 85°C
· Ta, Tc: 45°C/ 85°C

CE CB SELV SAA

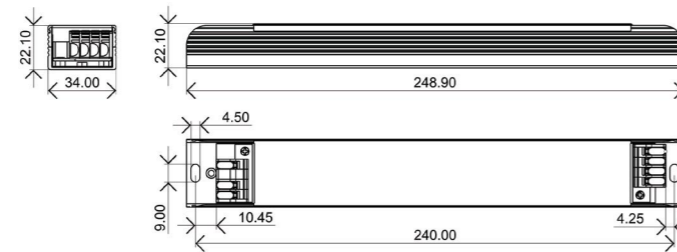


Model 型号	Power 功率	Input Voltage 输入电压	Output Current 输出电流	Output Voltage 输出电压	Efficiency 效率	Power Factor 功率因数	Size (L*W*H) 尺寸
LS-30-12 LI EXC	30W	220-240VAC	0-2.5A	12V	87%	0.95	136*38*28mm
LS-30-24 LI EXC	30W	220-240VAC	0-1.25A	24V	87%	0.95	136*38*28mm
LS-60-12 LI EXC	60W	220-240VAC	0-5A	12V	88%	0.95	168*38*30mm
LS-60-24 LI EXC	60W	220-240VAC	0-2.5A	24V	88%	0.95	168*38*30mm
LS-75-12 LI EXC	75W	220-240VAC	0-6.25A	12V	88%	0.95	168*38*30mm
LS-75-24 LI EXC	75W	220-240VAC	0-3.13A	24V	89%	0.95	168*38*30mm
LS-75-48 LI EXC	75W	220-240VAC	0-1.56A	48V	90%	0.95	168*38*30mm
LS-120-24 LI EXC	120W	220-240VAC	0-5A	24V	93%	0.95	227*38*30mm
LS-120-48 LI EXC	120W	220-240VAC	0-2.5A	48V	93%	0.95	227*38*30mm
LS-150-24 LI EXC	150W	220-240VAC	0-6.25A	24V	93%	0.95	227*38*30mm
LS-150-48 LI EXC	150W	220-240VAC	0-3.13A	48V	93%	0.95	227*38*30mm
LS-200-24 LI EXC	200W	220-240VAC	0-8.33A	24V	93%	0.95	318*45*30mm
LS-200-48 LI EXC	200W	220-240VAC	0-4.17A	48V	93%	0.95	318*45*30mm
LS-250-24 LI EXC	250W	220-240VAC	0-10.4A	24V	93%	0.95	318*45*30mm
LS-250-48 LI EXC	250W	220-240VAC	0-5.2A	48V	93%	0.95	318*45*30mm

恒压系列 ON/OFF

- 可适配I/ II类灯具
- For luminaire of protection class I and II
- 隔离/安全低电压/独立式
- Isolated/ SELV/ Independent
- 输入电压 220-240VAC
- Input voltage: 220-240VAC
- 多重保护: 短路保护、过载保护、过压保护、过温保护
- Protections: SCP/ OLP/ OVP/ OTP
- 效率>92%; 功率因数>0.95
- Efficiency>92%; Power factor>0.95
- 5年质保
- 5 years warranty
- Ta, Tc: 45°C/ 85°C
- Ta, Tc: 45°C/ 85°C

CE CB SELV

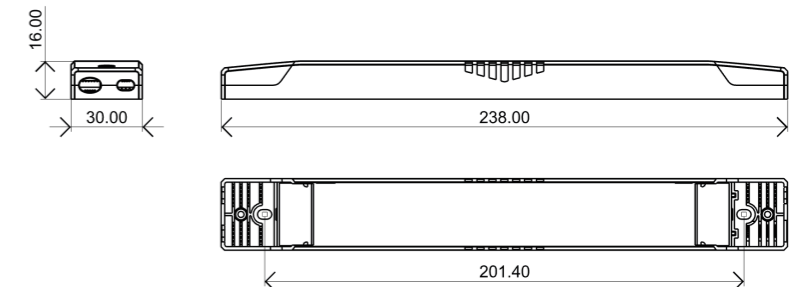


Model 型号	Power 功率	Input Voltage 输入电压	Output Current 输出电流	Output Voltage 输出电压	Efficiency 效率	Power Factor 功率因数	Size (L*W*H) 尺寸
MS-120-48 LX-YX	120W	220-240VAC	0-2.5A	48V	92%	0.95	242*34*24.2mm
MS-150-48 LX-YX1	150W	220-240VAC	0-3.125A	48V	92%	0.95	249*34*22mm
MS-200-48 LX-YX	200W	220-240VAC	0-4.17A	48V	92%	0.95	306*34*22mm

恒压系列 超薄

- 可适配I/ II类灯具
- For luminaire of protection class I and II
- 隔离/安全低电压/独立式
- Isolated/ SELV/ Independent
- 输入电压 220-240VAC
- Input voltage: 220-240VAC
- 多重保护: 短路保护、过载保护、过压保护、过温保护
- Protections: SCP/ OLP/ OVP/ OTP
- 效率>93%; 功率因数>0.95
- Efficiency>93%; Power factor>0.95
- 5年质保
- 5 years warranty
- Ta, Tc: 45°C/ 85°C
- Ta, Tc: 45°C/ 85°C

CE CB SELV

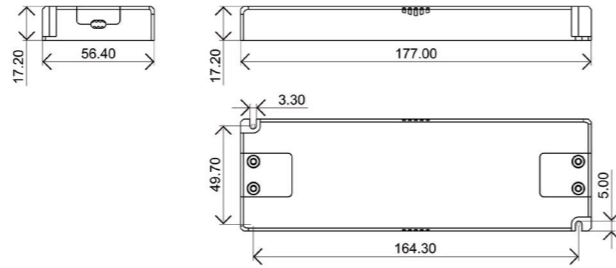


Model 型号	Power 功率	Input Voltage 输入电压	Output Current 输出电流	Output Voltage 输出电压	Efficiency 效率	Power Factor 功率因数	Size (L*W*H) 尺寸
US-30-12 LI EXC	30W	220-240VAC	0-2.5A	12V	88%	0.95	238*30*16mm
US-30-24 LI EXC	30W	220-240VAC	0-1.25A	24V	88%	0.95	238*30*16mm
US-60-12 LI EXC	60W	220-240VAC	0-5A	12V	88%	0.95	298*30*16mm
US-60-24 LI EXC	60W	220-240VAC	0-2.5A	24V	88%	0.95	298*30*16mm
US-100-12 LI EXC	100W	220-240VAC	0-8.33A	12V	90%	0.95	353*30*18mm
US-100-24 LI EXC	100W	220-240VAC	0-4.17A	24V	90%	0.95	353*30*18mm
US-150-24 LI EXC	150W	220-240VAC	0-6.25A	24V	93%	0.95	353*30*18mm
US-150-48 LI EXC	150W	220-240VAC	0-3.13A	48V	93%	0.95	353*30*18mm
US-200-24 LI EXC	200W	220-240VAC	0-8.33A	24V	93%	0.95	383*30*18mm
US-200-48 LI EXC	200W	220-240VAC	0-4.17A	48V	93%	0.95	383*30*18mm

恒压系列 超薄

- 可适配I/ II类灯具
· For luminaire of protection class I and II
- 隔离/安全低电压/独立式
· Isolated/ SELV/ Independent
- 输入电压 220-240VAC
· Input voltage: 220-240VAC
- 多重保护：短路保护、过载保护、过压保护、过温保护
· Protections: SCP/ OLP/ OVP/ OTP
- 效率>93%; 功率因数>0.95
· Efficiency>93%; Power factor>0.95
- 5年质保
· 5 years warranty
- Ta, Tc: 45°C/ 85°C
· Ta, Tc: 45°C/ 85°C

CE CB SELV

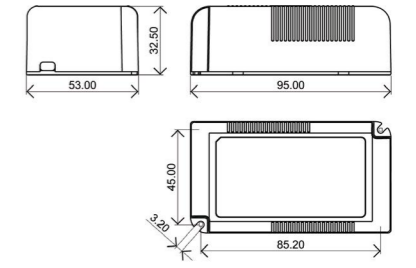
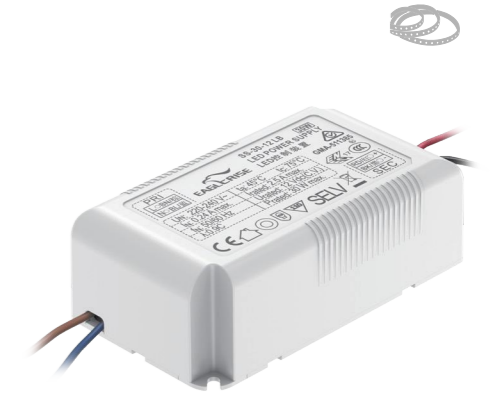


Model 型号	Power 功率	Input Voltage 输入电压	Output Current 输出电流	Output Voltage 输出电压	Efficiency 效率	Power Factor 功率因数	Size (L*W*H) 尺寸
US-30-12 LI EXC S	30W	220-240VAC	0-2.5A	12V	88%	0.95	154*50*14mm
US-30-24 LI EXC S	30W	220-240VAC	0-1.25A	24V	88%	0.95	154*50*14mm
US-60-12 LI EXC S	60W	220-240VAC	0-5A	12V	91%	0.95	154*50*14mm
US-60-24 LI EXC S	60W	220-240VAC	0-2.5A	24V	88%	0.95	154*50*14mm
US-75-12 LI EXC S	75W	220-240VAC	0-6.25A	12V	89%	0.95	174*50*14.8mm
US-75-24 LI EXC S	75W	220-240VAC	0-3.125A	24V	89%	0.95	174*50*14.8mm
US-100-12 LI EXC S	100W	220-240VAC	0-8.33A	12V	91%	0.95	177*56.4*17.2mm
US-100-24 LI EXC S	100W	220-240VAC	0-4.16A	24V	91%	0.95	177*56.4*17.2mm
US-150-12 LI EXC S	150W	220-240VAC	0-11A	12V	92%	0.95	177*56.4*17.2mm
US-150-24 LI EXC S	150W	220-240VAC	0-6.25A	24V	93%	0.95	177*56.4*17.2mm

恒压系列 带引线

- 可适配I/ II类灯具
· For luminaire of protection class I and II
- 隔离/安全低电压/独立式
· Isolated/ SELV/ Independent
- 输入电压 220-240VAC
· Input voltage: 220-240VAC
- 多重保护：短路保护、过载保护、过压保护、过温保护
· Protections: SCP/ OLP/ OVP/ OTP
- 效率>87%; 功率因数>0.95
· Efficiency>87%; Power factor>0.95
- 5年质保
· 5 years warranty
- Ta, Tc: 45°C/ 85°C
· Ta, Tc: 45°C/ 85°C

CE CB SAA SELV

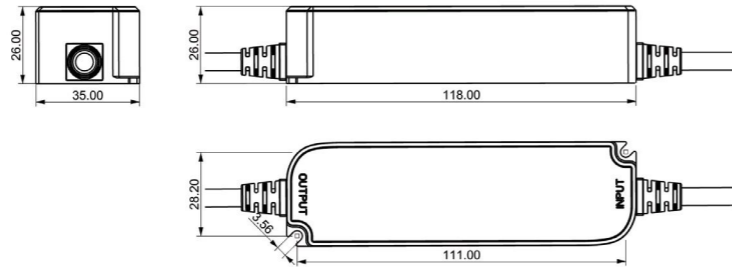


Model 型号	Power 功率	Input Voltage 输入电压	Output Current 输出电流	Output Voltage 输出电压	Efficiency 效率	Power Factor 功率因数	Size (L*W*H) 尺寸
SS-30-12 LB	30W	220-240VAC	0-2.75A	12V	85%	0.95	95*53*32.5mm
SS-30-24 LB	30W	220-240VAC	0-1.25A	24V	85%	0.95	95*53*32.5mm
SS-45-12 LB	45W	220-240VAC	0-3.75A	12V	85%	0.95	95*53*32.5mm
SS-45-24 LB	45W	220-240VAC	0-1.88A	24V	85%	0.95	95*53*32.5mm
SS-60-24 LB	60W	220-240VAC	0-2.5A	24V	87%	0.95	110.5*59.5*32.5mm

恒压系列 IP67

- 可适配I/ II类灯具
· For luminaire of protection class I and II
- 隔离/安全低电压/独立式
· Isolated/ SELV/ Independent
- 输入电压 220-240VAC
· Input voltage: 220-240VAC
- 多重保护: 短路保护、过载保护、过压保护、过温保护
· Protections: SCP/ OLP/ OVP/ OTP
- 效率>92%; 功率因数>0.95
· Efficiency>92%; Power factor>0.95
- 5年质保
· 5 years warranty
- Ta, Tc: 45°C/ 80°C
· Ta, Tc: 45°C/ 80°C

CE CB SELV

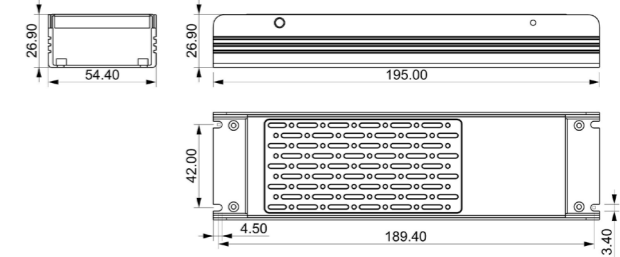


Model 型号	Power 功率	Input Voltage 输入电压	Output Current 输出电流	Output Voltage 输出电压	Efficiency 效率	Power Factor 功率因数	Size (L*W*H) 尺寸
VTS-24-12 IP67 L	24W	220-240VAC	0-2A	12V	86%	0.95	118*35*26mm
VTS-24-24 IP67 L	24W	220-240VAC	0-1A	24V	86%	0.95	118*35*26mm
VTS-40-12 IP67 L	40W	220-240VAC	0-3.34A	12V	86%	0.95	148*42*30mm
VTS-40-24 IP67 L	40W	220-240VAC	0-1.67A	24V	88%	0.95	148*42*30mm
VTS-60-12 IP67 L	60W	220-240VAC	0-5A	12V	86.5%	0.95	162*42*32mm
VTS-60-24 IP67 L	60W	220-240VAC	0-2.5A	24V	89%	0.95	162*42*32mm
VTS-100-12 IP67 L	100W	220-240VAC	0-8.33A	12V	87%	0.95	190*52*33mm
VTS-100-24 IP67 L	100W	220-240VAC	0-4.17A	24V	89%	0.95	190*52*33mm
VTS-160-12 IP67 L	160W	220-240VAC	0-13.3A	12V	91%	0.95	190*52*37.5mm
VTS-160-24 IP67 L	160W	220-240VAC	0-6.67A	24V	92%	0.95	190*52*37.5mm
VTS-160-48 IP67 L	160W	220-240VAC	0-3.33A	48V	92%	0.95	190*52*37.5mm

恒压系列 铝壳恒压

- 可适配I/ II类灯具
· For luminaire of protection class I and II
- 隔离/安全低电压/独立式
· Isolated/ SELV/ Independent
- 输入电压 100-240VAC
· Input voltage: 100-240VAC
- 多重保护: 短路保护、过流保护、过压保护、过温保护
· Protections: SCP/ OCP/ OVP/ OTP
- 效率>93.5%; 功率因数>0.9
· Efficiency>93.5%; Power factor>0.9
- Ta, Tc: 70°C/ 90°C
· Ta, Tc: 70°C/ 90°C

CE CCC SELV



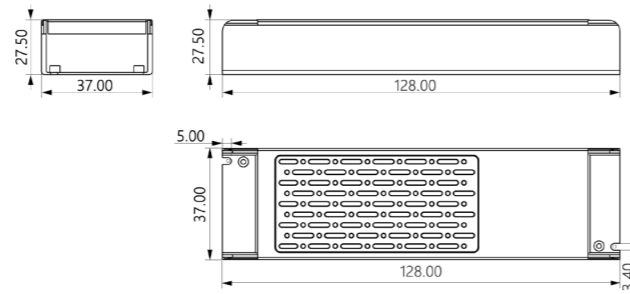
Model 型号	Power 功率	Input Voltage 输入电压	Output Current 输出电流	Output Voltage 输出电压	Efficiency 效率	Power Factor 功率因数	Size (L*W*H) 尺寸
MH-60-24 LI	60W	100-240VAC	0-2.5A	24V	88.5%	0.9	141*55*27mm
MH-60-36 LI	60W	100-240VAC	0-1.67A	36V	89%	0.9	141*55*27mm
MH-60-48 LI	60W	100-240VAC	0-1.25A	48V	89.5%	0.9	141*55*27mm
MH-100-24 LI	100W	100-240VAC	0-4.17A	24V	88.5%	0.9	152*55*27mm
MH-100-36 LI	100W	100-240VAC	0-2.78A	36V	89%	0.9	152*55*27mm
MH-100-48 LI	100W	100-240VAC	0-2.08A	48V	89.5%	0.9	152*55*27mm
MH-200-24 LI	200W	100-240VAC	0-8.33A	24V	92%	0.9	195*55*27mm
MH-200-36 LI	200W	100-240VAC	0-5.56A	36V	92.5%	0.9	195*55*27mm
MH-200-48 LI	200W	100-240VAC	0-4.17A	48V	92.5%	0.9	195*55*27mm
MH-300-24 LI	300W	100-240VAC	0-12.5A	24V	92.5%	0.9	224*62*32mm
MH-300-36 LI	300W	100-240VAC	0-8.33A	36V	93%	0.9	224*62*32mm
MH-300-48 LI	300W	100-240VAC	0-6.25A	48V	93%	0.9	224*62*32mm
MH-400-24 LI	400W	100-240VAC	0-16.66A	24V	93.5%	0.9	231*79*32mm
MH-400-36 LI	400W	100-240VAC	0-11.11A	36V	93.5%	0.9	231*79*32mm
MH-400-48 LI	400W	100-240VAC	0-8.33A	48V	93.5%	0.9	231*79*32mm

恒压系列

铝壳恒压

- 可适配 I/ II 类灯具
- For luminaire of protection class I and II
- 隔离/安全低电压/独立式
- Isolated/ SELV/ Independent
- 输入电压 220-240VAC
- Input voltage: 220-240VAC
- 多重保护: 短路保护、过流保护、过压保护、过温保护
- Protections: SCP/ OCP/ OVP/ OTP
- 效率>91%; 功率因数>0.5
- Efficiency>91%; Power factor>0.5
- Ta, Tc: 70°C/ 90°C
- Ta, Tc: 70°C/ 90°C

SELV

Model 型号	Power 功率	Input Voltage 输入电压	Output Current 输出电流	Output Voltage 输出电压	Efficiency 效率	Power Factor 功率因数	Size (L*W*H) 尺寸
MS-60-24 SI	60W	220-240VAC	0-2.5A	24V	89%	0.5	128*37*27.5mm
MS-100-24 SI	100W	220-240VAC	0-4.17A	24V	89%	0.5	162*51*27.5mm
MS-150-24 SI	150W	220-240VAC	0-6.25A	24V	90%	0.5	198*51*27.5mm
MS-200-24 SI	200W	220-240VAC	0-8.33A	24V	90%	0.5	198*51*27.5mm
MS-250-24 SI	250W	220-240VAC	0-10.42A	24V	91%	0.5	228*51*27.5mm
MS-300-24 SI	300W	220-240VAC	0-12.5A	24V	91%	0.5	248*51*27.5mm

美规 系列

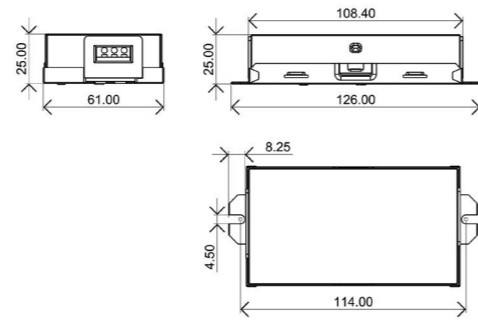
LED DRIVER NORTH AMERICAN SERIES

美规系列

0-10V+可控硅



- 可适配I/ II类灯具
- For luminaire of protection class I and class II
- 隔离/安全低电压/独立式
- Isolated/ SELV/ Independent
- 输入电压 120-277VAC
- Input voltage: 120-277VAC
- 多重保护: 短路保护、过载保护、过压保护、过温保护
- Protections: SCP/ OLP/ OVP/ OTP
- 效率>85%; 功率因数>0.9
- Efficiency>85%; Power factor>0.95
- 5年质保
- 5 years warranty
- Ta, Tc: 45°C/ 80°C
- Ta, Tc: 45°C/ 80°C



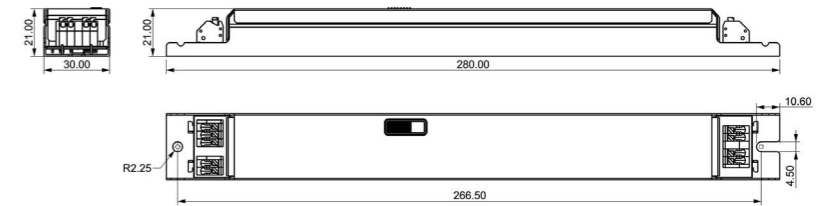
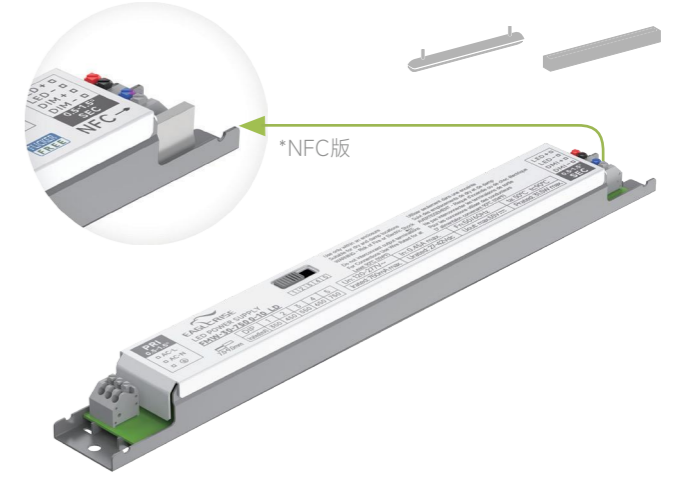
Model 型号	Power 功率	Input Voltage 输入电压	Output Current 输出电流	Output Voltage 输出电压	Efficiency 效率	Power Factor 功率因数	Size (L*W*H) 尺寸
FMW-30-750 0-10 TRIAC LD-S	30W	120-277VAC	350-750mA	27-42V	85%	0.9	108.4*61*25mm
FMW-50-1250 0-10 TRIAC LD-S	50W	120-277VAC	750-1250mA	27-42V	85%	0.9	108.4*61*25mm

美规系列

0-10V+NFC



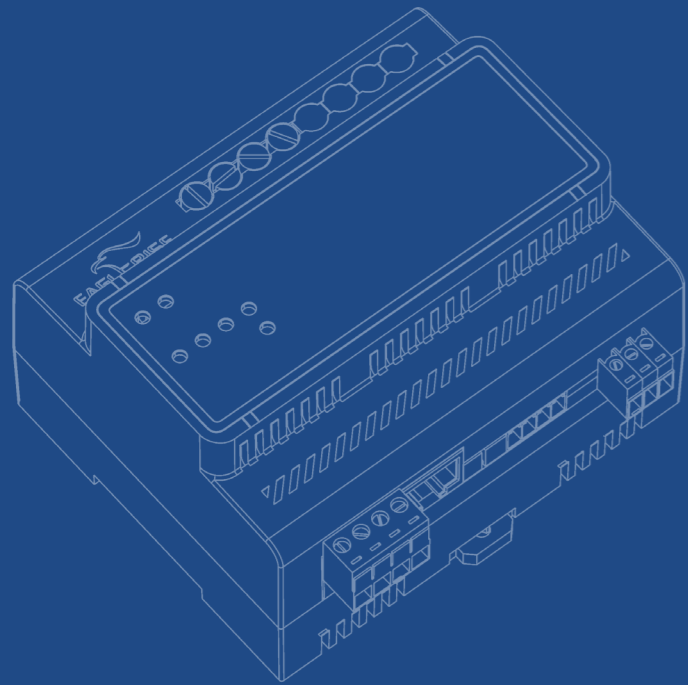
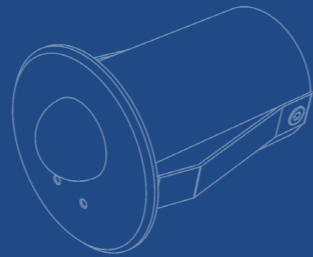
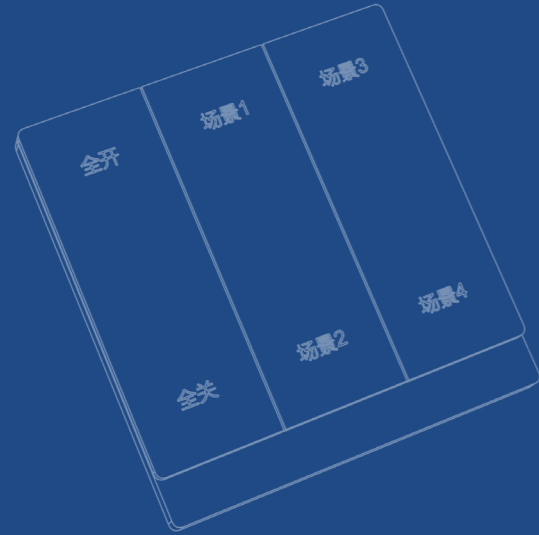
- 可适配I/ II类灯具
- For luminaire of protection class I and class II
- 隔离/安全低电压/独立式
- Isolated/ SELV/ Independent
- 输入电压 120-277VAC
- Input voltage: 120-277VAC
- 多重保护: 短路保护、过载保护、过压保护、过温保护
- Protections: SCP/ OLP/ OVP/ OTP
- 效率>85%; 功率因数>0.9
- Efficiency>85%; Power factor>0.95
- 5年质保
- 5 years warranty
- Ta, Tc: 45°C/ 80°C
- Ta, Tc: 45°C/ 80°C
- LD: 拨码调节输出电流; LN版: NFC调节输出电流
- LD: output current adjusted via DIP-switch; LN: output current adjusted via NFC



Model 型号	Power 功率	Input Voltage 输入电压	Output Current 输出电流	Output Voltage 输出电压	Efficiency 效率	Power Factor 功率因数	Size (L*W*H) 尺寸
FMW-30-750 0-10 LD	30W	120-277VAC	350-750mA	27-42V	85%	0.9	280*30*21mm
FMW-30-750 0-10 LN	30W	120-277VAC	350-750mA	27-42V	85%	0.9	280*30*21mm
FMW-50-1250 0-10 LD	50W	120-277VAC	750-1250mA	27-42V	85%	0.9	280*30*21mm
FMW-50-1250 0-10 LN	50W	120-277VAC	750-1250mA	27-42V	85%	0.9	280*30*21mm

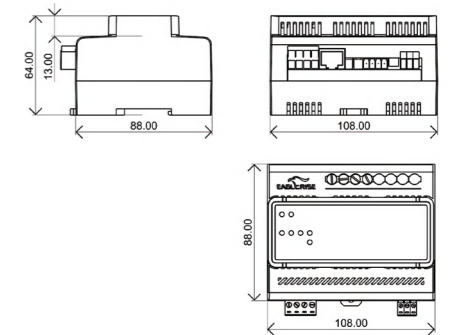
配件系列

LED DRIVER ACCESSORIES SERIES



配件系列 DALI网关

- 输入电压范围: 22-26VDC; 最大输出电流: 250mA*2
- Input voltage range: 22-26VDC; Output current: 250mA*2, Max
- 35毫米DIN导轨安装方式, 适用于6P配电箱
- 35mm DIN rail mounting for electrical distribution boxes (6P)
- 集成两路DALI总线电源
- Intergrated with 2-channel DALI bus power supply
- 支持交叉总线供电设备内部链接
- Supports cross-bus power device interlinking
- 支持离线故障排除, 支持APP控制
- Enables offline debugging and control via mobile app
- 适用于RS485系统集成
- Compatible with RS485 system integration
- 适用于CAN总线系统集成
- Compatible with CAN bus system integration

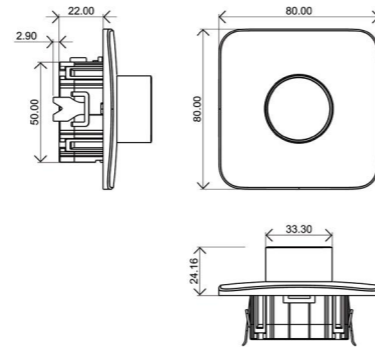


Model 型号	Power 功率	Input Voltage 输入电压	Output Current 输出电流	Output Voltage 输出电压	Efficiency 效率	Power Factor 功率因数	Size (L*W*H) 尺寸
ER-GW-DALI-2 02-A	5W	24V	250mA*2	16V*2	/	/	108*64*88mm

配件系列

DALI调光器

- 适用于DALI标准协议IEC 62386
- Adopts the DALI standard protocol IEC 62386
- 集成内置总线电源
- Integrates built-in bus power supply
- 支持亮度及色温记忆功能
- Supports brightness and color temperature memory
- 最小亮度及色温范围可调
- Adjustable minimum brightness and color temperature range
- 支持DALI广播模式，无需调试
- DALI broadcast mode available, no commissioning required

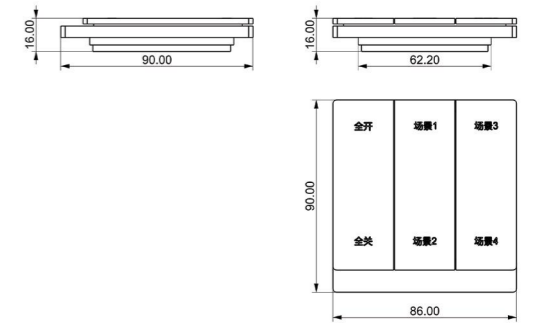


Model 型号	Power 功率	Input Voltage 输入电压	Output Current 输出电流	Output Voltage 输出电压	Efficiency 效率	Power Factor 功率因数	Size (L*W*H) 尺寸
ER-T-DALI-2 DT8 JQ-01 A	0.8W	220V	50mA	16V	/	/	80*80*28mm

配件系列

DALI面板

- 兼容所有DALI-2认证应用控制器
- Compatible with all DALI-2 certified application controllers
- 支持“IEC 62386-332反馈”功能
- Supports "IEC 62386-332" function
- DALI-2总线供电
- Powered via DALI-2 bus
- 白、灰、金三色可选
- Available in 3 colors: white, gray and gold
- 支持六种场景控制
- Support control of 6 scenarios

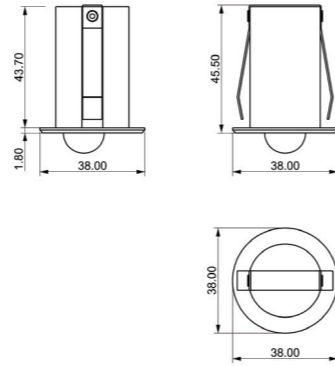


Model 型号	Power 功率	Input Voltage 输入电压	Output Current 输出电流	Output Voltage 输出电压	Efficiency 效率	Power Factor 功率因数	Size (L*W*H) 尺寸
ER-SP-DALI-2 06-A	/	16V	/	/	/	/	86*86*38mm

配件系列

DALI传感器

- 亮度检测范围: 0~1024 lux
- Illuminance sensing supports 0~1024 lux
- 温度检测范围: -40~51°C
- Temperature sensing supports -40~51°C
- 湿度检测范围: 0~100% RH
- Humidity sensing supports 0~100% RH
- DALI-2总线供电
- Powered via DALI-2 bus
- 紧凑型设计, 适用于狭小空间安装
- Compact size, suitable for installation in tight spaces



Model 型号	Power 功率	Input Voltage 输入电压	Output Current 输出电流	Output Voltage 输出电压	Efficiency 效率	Power Factor 功率因数	Size (L*W*H) 尺寸
ER-BS-DALI-2 01-A	/	16V	/	/	/	/	Φ38*46.3mm

可选配件 (需额外订购)

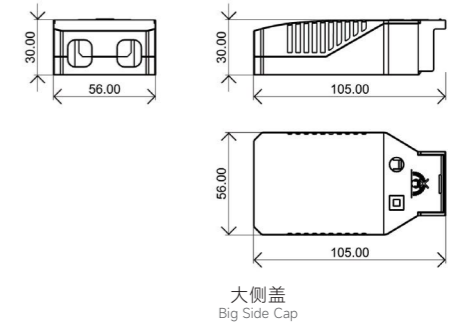
Optional Accessories (Require Additional Order)

侧盖 (Side cap)

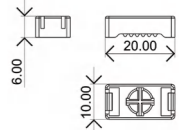
适用机型
Suitable for

- FLS-16-400 DALI-2 LD
- FLS-24-550 LD ECO
- FLS-26-700 DALI-2 LD1
- FLS-30-700 LD ECO
- FLS-30-700 DALI-2 LD ECO
- FLS-44-1050 DALI-2 LD ECO
- FLS-38-900 LD ECO
- FLS-42-1050 LD ECO
- FLS-42-1050 LD ADV
- FLS-42-1050 DALI-2 LD ADV
- FLS-42-1050 Blue LD-CSB ADV
- FLX-42-1050 DALI-2 0-10 LN PRO
- FLS-44-1050 DALI-2 LD2

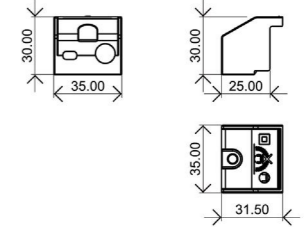
编码 Product Code	描述 Description
132021T0197P1	小侧盖组合, 灰色带"Don't Cover"标识
132021T0181P1	小侧盖组合, 白色带"Don't Cover"标识
1270100280	小侧盖用螺丝
132021T0033P1-1	大侧盖底盖, 白色
132021T0034P1-2	大侧盖上盖, 灰色
132021T0079P1-2	大侧盖上盖, 白色
126016T0009	大侧盖用5P端子台
132038T0046P1	大侧盖用压线板
1290030208	大侧盖用端子台引线



大侧盖
Big Side Cap



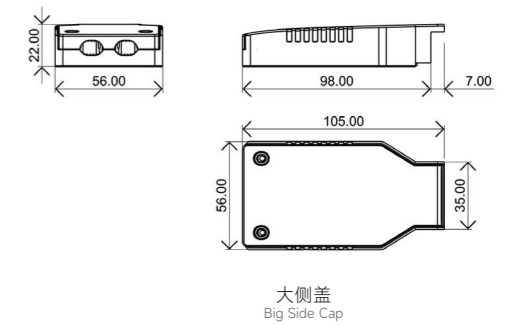
小侧盖
Small Side Cap



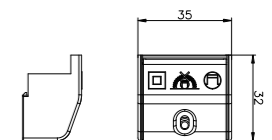
适用机型
Suitable for

- FLS-20-500 LD1 PRO
- FLS-20-500 DALI-2 DT8 LN PRO
- FLS-20-500 DALI-2 DT8 LN ADV
- FLS-30-700 DALI-2 LD PRO
- FLS-30-700 DALI-2 LN PRO
- FLS-30-700 LD1 PRO
- FLS-38-900 LD1 PRO
- FLS-42-1050 LD PRO
- FLS-42-1050 DALI-2 LD PRO
- FLS-42-1050 DALI-2 LD1 PRO
- FLS-42-1050 DALI-2 DT8 LN PRO
- FLS-42-1050 LD1 PRO
- FLS-42-1050 DALI-2 DT8 LN ADV
- FLS-42-1050 DALI-2 LD2 PRO
- FLS-60-1500 DALI-2 LD PRO

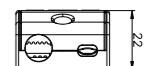
编码 Product Code	描述 Description
132021T0377-2	不带"Don't Cover"标识灰色上盖+白色底盖
132021T0377	带"Don't Cover"标识灰色上盖+白色底盖
132021T0377-1	带"Don't Cover"标识白色上盖+白色底盖
1270100280	小侧盖用螺丝
132021T0209P1	大侧盖组合, 含灰色上盖加白色底盖
132021T0209P1-2	大侧盖组合, 含白色上盖加白色底盖
1270100280	大侧盖用螺丝
126016T0009	大侧盖用5P端子台
1290030208	大侧盖用端子台引线



大侧盖
Big Side Cap



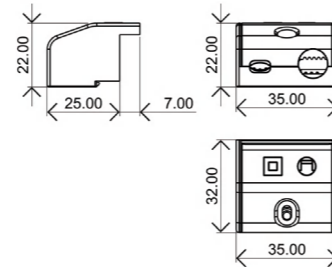
小侧盖
Small Side Cap



侧盖 (Side cap)

适用机型 Suitable for

FLS-20-500 DALI-2 LD PRO
FLS-20-500 DAL-2 LN PRO
FLS-21-500 LD1 EXC
FLS-30-700 LD1 EXC
FLS-38-900 LD1 EXC
FLS-40-1050 LD1 EXC



编码 Product Code	描述 Description
132021T0256P1	小侧盖组合, 灰色带'Don't Cover'标识
1270100280	小侧盖用螺丝

适用机型 Suitable for

FMS-35-350 N-S DALI-2 LD
FMS-75-500 N-S DALI-2 LD
FMS-100-1050 N-S DALI-2 LD
FMS-150-1050 N-S DALI-2 LD

FMS-20-350 N-S LD EXC
FMS-40-450 N-S LD EXC
FMS-60-600 N-S LD EXC

FMS-20-350 N-S LD E
FMS-40-350 N-S LD E
FMS-60-350 N-S LD E
FMS-80-350 N-S LD E

FMS-40-350 N-S LD-F
FMS-40-700 N-S LD-F
FMS-60-700 N-S LD-F

FMS-20-350 N-S LD1 E
FMS-40-350 N-S LD1 E
FMS-60-350 N-S LD1 E
FMS-80-350 N-S LD1 E
FMS-80-550 N-S LD1 E

FMS-20-350 N-S CCT LD EXC
FMS-40-350 N-S CCT LD EXC
FMS-60-350 N-S CCT LD EXC
FMS-80-350 N-S CCT LD EXC
FMS-80-550 N-S CCT LD EXC

FMS-40-350 N-S LD2 E
FMS-60-350 N-S LD2 E
FMS-80-350 N-S LD2 E

FMS-35-700 DALI-2 LD
FMS-50-1050 DALI-2 LD
FMS-75-1800 DALI-2 LD

FMX-35-700 DALI-2 0-10 LD
FMX-50-1050 DALI-2 0-10 LD
FMX-85-2100 DALI-2 0-10 LD
FMX-85-2100 LD

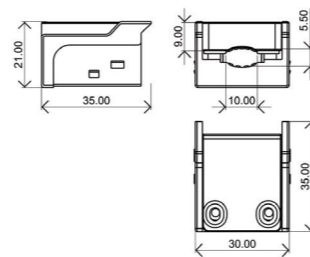
FMS-40-350 N-S DALI-2 CCT LD

FMS-40-350 0-10 LD-F
FMS-60-350 0-10 LD-F
FMS-60-700 0-10 LD-F

FMS-20-350 LD EXC
FMS-21-500 LD EXC
FMS-24-500 LD EXC
FMS-30-750 LD EXC
FMS-35-650 LD EXC
FMS-40-1050 LD EXC
FMS-42-1050 LD EXC
FMS-60-1200 LD EXC
FMS-60-1500 LD EXC
FMS-60-1500 LD1 EXC
FMS-75-1500 LD EXC
FMS-80-2000 LD EXC
FMS-80-2000 LD1 EXC

FMS-40-400 LD-F
FMS-40-400 LD1-F
FMS-40-450 LD1-F
FMS-60-450 LD-F
FMS-60-450 LD1-F
FMS-60-700 LD-F

MS-30-24 DALI-2 LI
MS-60-24 DALI-2 LI

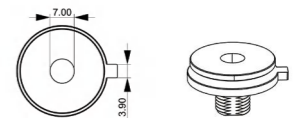
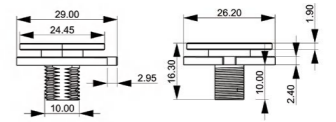


编码 Product Code	描述 Description
132021T0141-2	侧盖 (灰色)

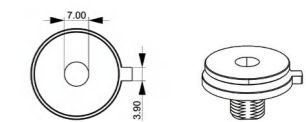
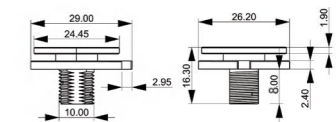
牙节 (Nipples)

适用机型 Suitable for

兼容伊戈尔所有四线、六线在售导轨型号



135053T0008



135053T0008-1

编码 Product Code	描述 Description
135053T0008	材质: 锌合金 尺寸: M10*10
135053T0008-1	材质: 锌合金 尺寸: M10*8

应用程序 (APP)

适用机型 Suitable for

FMS-35-350 N-S DALI-2 LN
FMS-75-600 N-S DALI-2 LN
FMS-100-700 N-S DALI-2 LN
FMS-150-800 N-S DALI-2 LN
FMS-35-350 N-S DALI-2 LN1
FMS-100-700 N-S DALI-2 LN1
FMS-75-500 N-S DALI-2 LN EXC
FMS-150-1200 N-S DALI-2 LN EXC

FMS-75-600 N-S DALI-2 LN1
FMS-35-350 N-S DALI-2 LN EXC
FMS-100-1050 N-S DALI-2 LN EXC
FMS-35-350 N-S LN
FMS-75-600 N-S LN
FMS-100-700 N-S LN
FMS-150-800 N-S LN

Android



IOS

